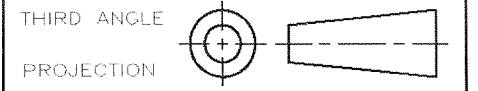
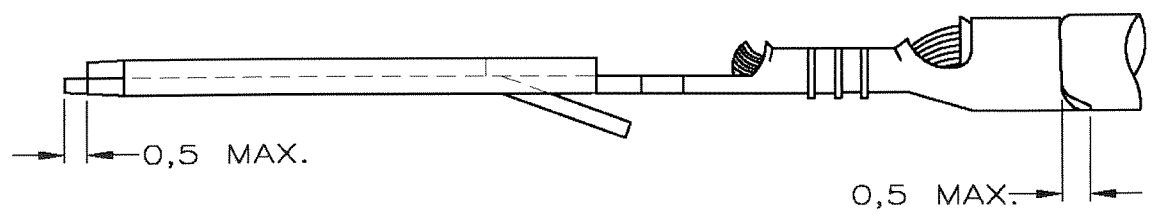
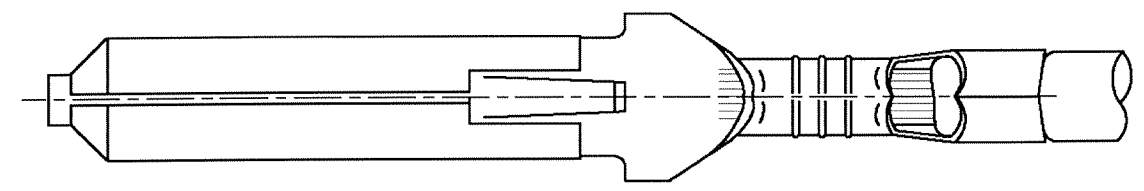
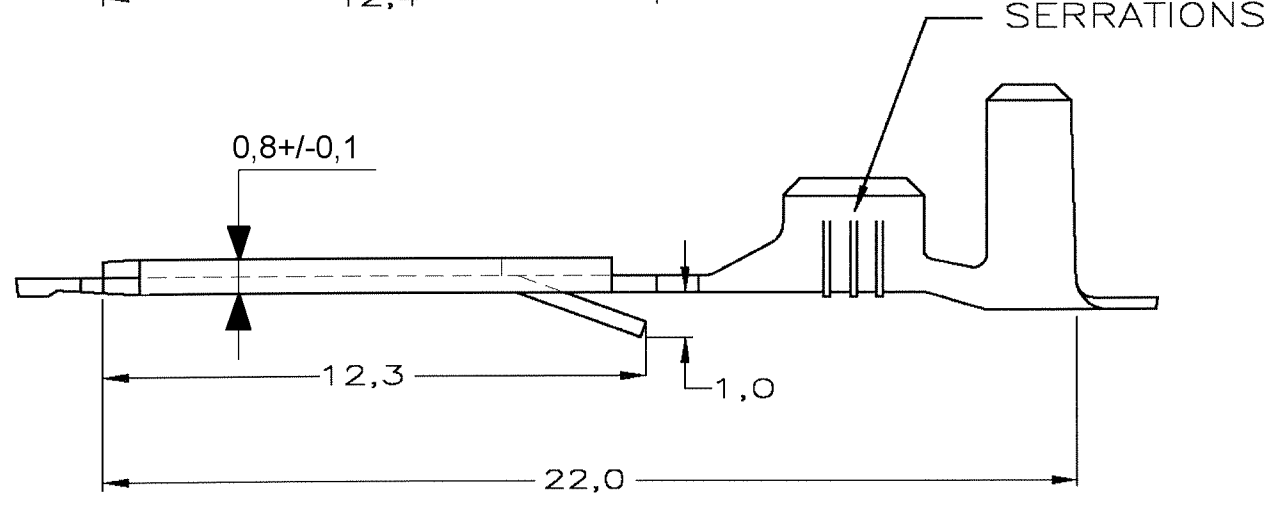
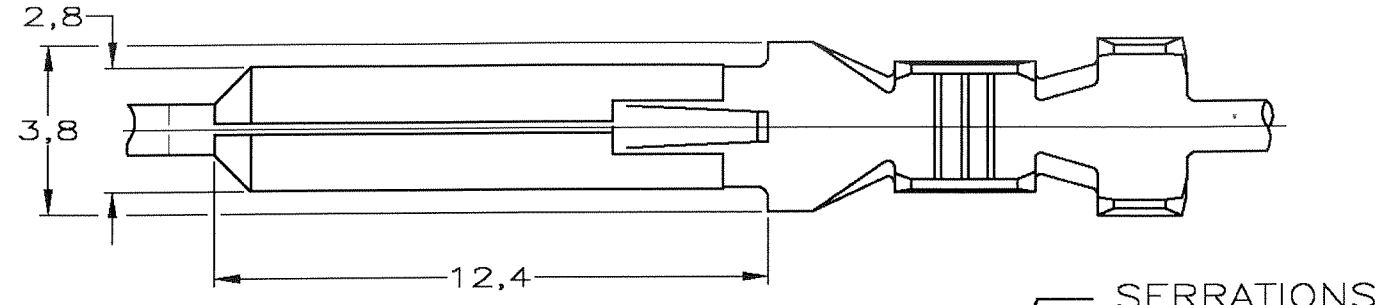


DO NOT SCALE
DIMENSIONS IN mm

METRIC



REVISIONS					
H	P	LTR	DESCRIPTION	DATE	APVD
	D		REV BY ECO-09-028250	12JAN10	HC WLS
	D1		REV. ECO-10-007087	01APR10	HC WLS



1 OBSOLETE PARTS: OBSOLETE CIS STREAMLINING PER D.RENAUD/D.SINISI

2 - UNSPECIFEID GENERAL TOLERANCE +/- 0,3mm.

1 OBSOLETE
1 OBSOLETE

TINPLATED	BRASS	160719-4
UNPLATED		160719-3
TINPLATED	PH. BRONZE	160719-2
UNPLATED		160719-1
FINISH	MATERIAL	PARTNUMBER

CUSTOMER DRAWING				TYCO ELECTRONICS Do BRASIL LTDA São Paulo - Brasil		
	THIS DRAWING IS UNPUBLISHED RELEASED FOR PUBLICATION - .19-					
FOR REFERENCE ONLY WILL NOT BE UPDATED						
© COPYRIGHT 19 - ALL INTERNATIONAL RIGHTS RESERVED. AMP PRODUCTS MAY BE COVERED BY U.S. AND FOREIGN PATENTS AND/OR PATENTS PENDING.						
DR. HENRY C. CANTERI 12JAN2010	WIRE RANGE 0,5-1,43MM ²	NAME .110 SRS. FASTIN-FASTON TAB			REV. DATE D M Y	
CHK. W.L. STEFANI 12JAN2010	INSUL. RANGE (2,3-3,0) DIA.				010410	
APP.	SIZE A3	SHEET 1 OF 1	DWG. No. 160719	REV. LTR. D1		

8 | 7 | 6 | 5 | 4 | 3 | 2 | 1

F
E
D
C
B
A