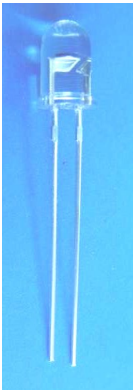


### 5mm Silicon PIN Photodiode , T-1 3/4 PD333-3C/H0/L2



#### Features

- Fast response time
- High photo sensitivity
- Small junction capacitance
- Pb free
- This product itself will remain within RoHS compliant version.

#### Description

PD333-3C/H0/L2 is a high speed and high sensitive PIN photodiode in a standard 5 plastic package. Due to its water clear epoxy the device is sensitive to visible and infrared radiation.

#### Applications

- High speed photo detector
- Security system
- Camera

**Device Selection Guide**

Chip Materials	Lens Color
Silicon	Water clear

**Absolute Maximum Ratings (Ta=25 )**

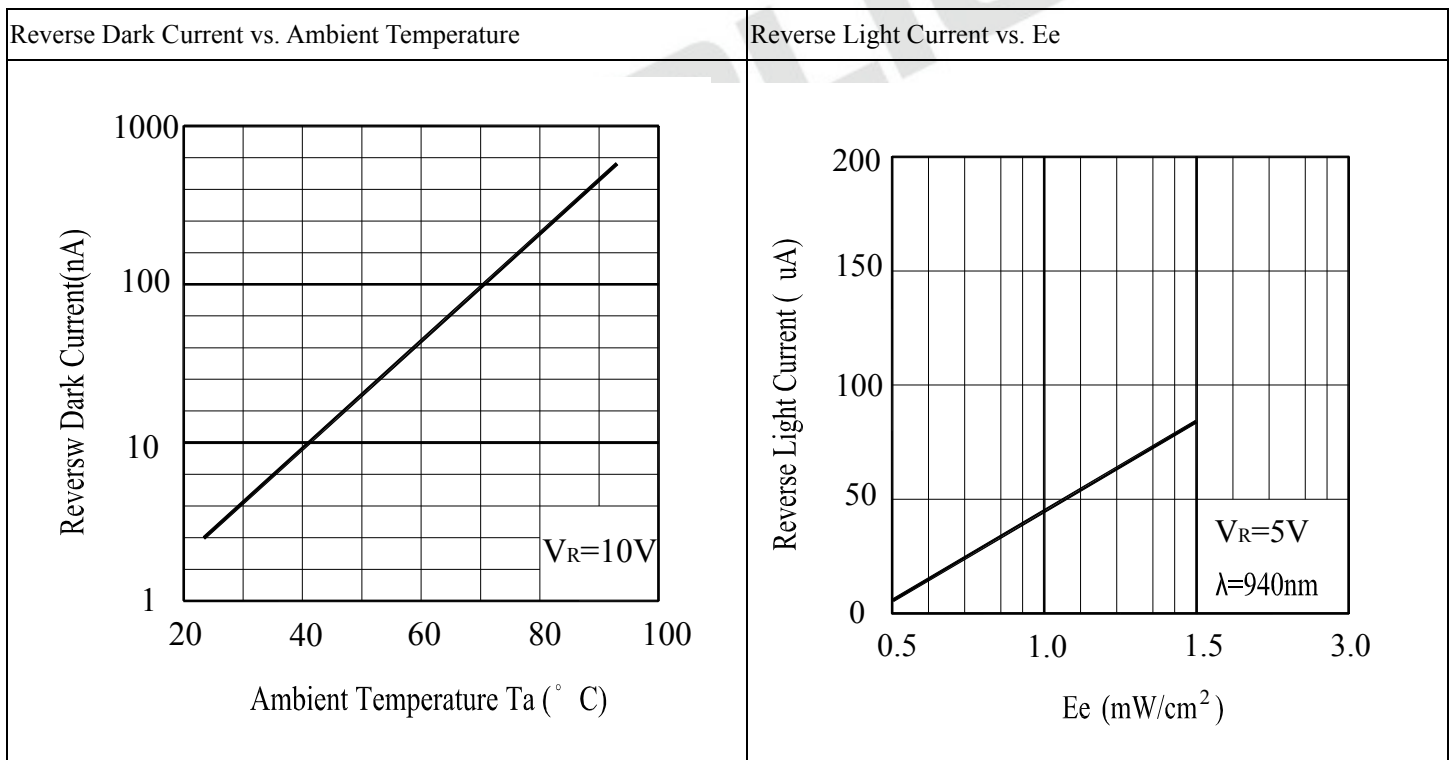
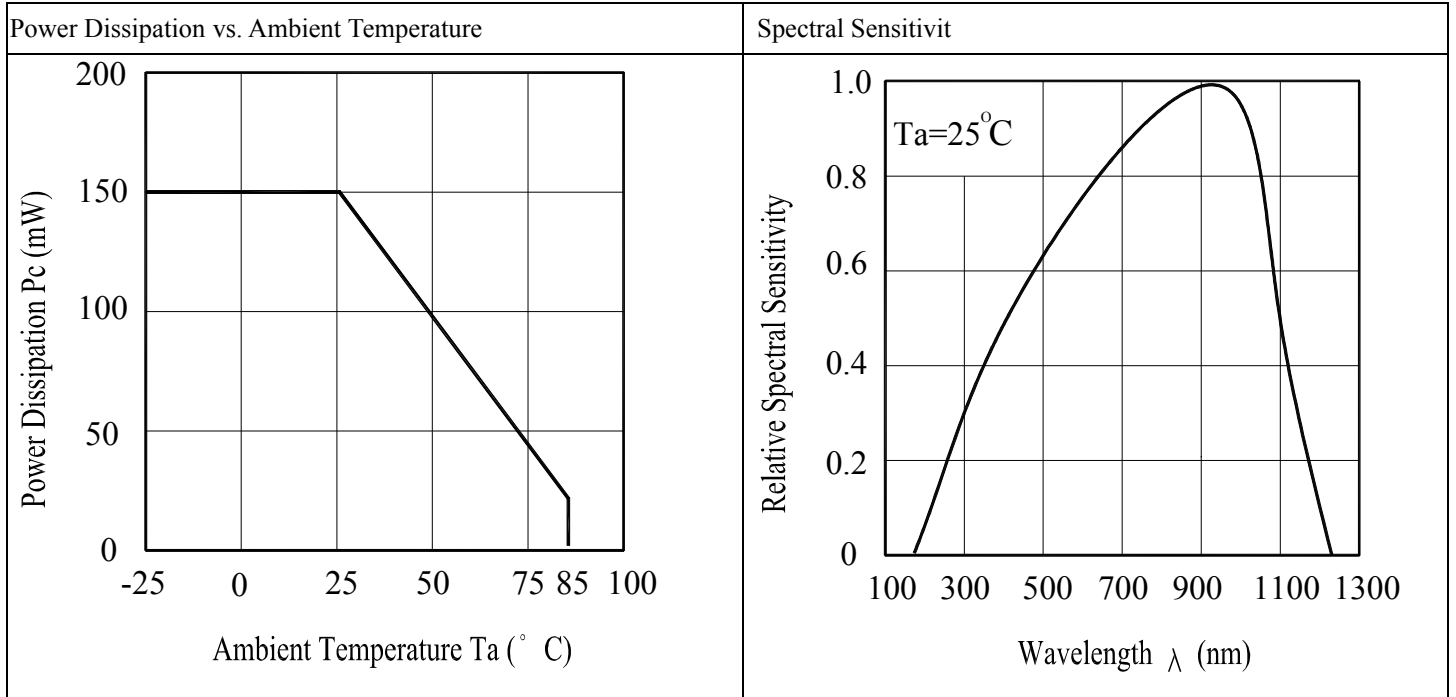
Parameter	Symbol	Rating	Unit
Reverse Voltage	$V_R$	32	V
Power Dissipation	$P_d$	150	mW
Lead Soldering Temperature	$T_{sol}$	260	
Operating Temperature	$T_{opr}$	-25 ~ +85	
Storage Temperature	$T_{stg}$	-40 ~ +100	

**Notes:** \*1:Soldering time 5 seconds.

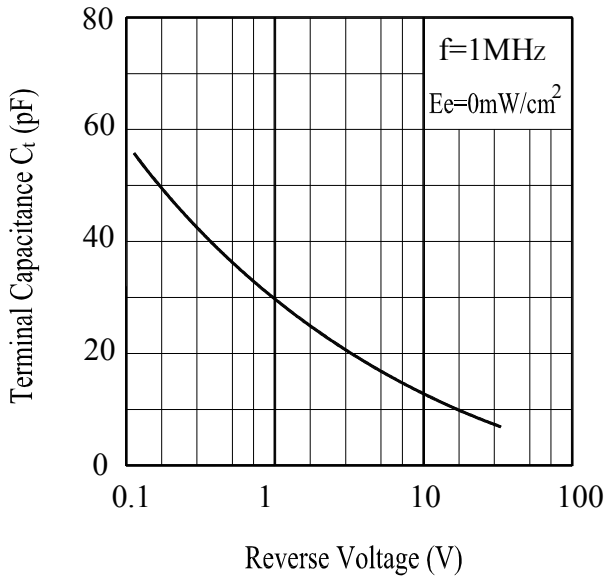
**Electro-Optical Characteristics (Ta=25 °C)**

Parameter	Symbol	Min.	Typ.	Max.	Unit	Condition
Range Of Spectral Bandwidth	$\lambda_{0.5}$	400	---	1100	nm	----
Wavelength Of Peak Sensitivity	$\lambda_p$	---	940	---	nm	----
Open-Circuit Voltage	$V_{OC}$	---	0.39	---	V	$E_e=5m W/cm^2$ $p=940nm$
Short- Circuit Current	$I_{SC}$	---	40	---	$\mu A$	$E_e=1m W/cm^2$ $p=940nm$
Reverse Light Current	$I_L$	36	40	---		$E_e=1m W/cm^2$ $p=940nm$ $V_R=5V$
Reverse Dark Current	$I_D$	---	5	30	nA	$E_e=0m W/cm^2$ $V_R=10V$
Reverse Breakdown Voltage	$V_{BR}$	32	170	---	V	$E_e=0m W/cm^2$ $I_R=100 \mu A$
Total Capacitance	$C_t$	---	18	---	pF	$E_e=0m W/cm^2$ $V_R=5V$ $f=1MHZ$
Rise Time/ Fall Time	$t_r / t_f$	---	45/45	---	nS	$V_R=10V$ $R_L=1K$
View Angle	2 $\theta_{1/2}$	--	80	--	deg	$I_f=20mA$

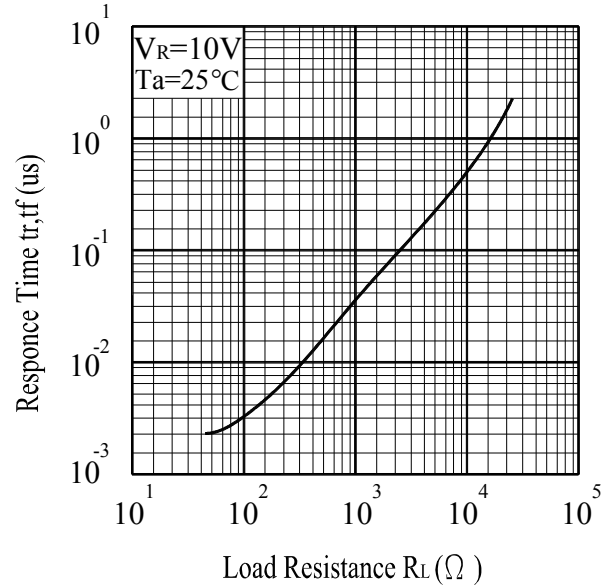
**Typical Electro-Optical Characteristics Curves**



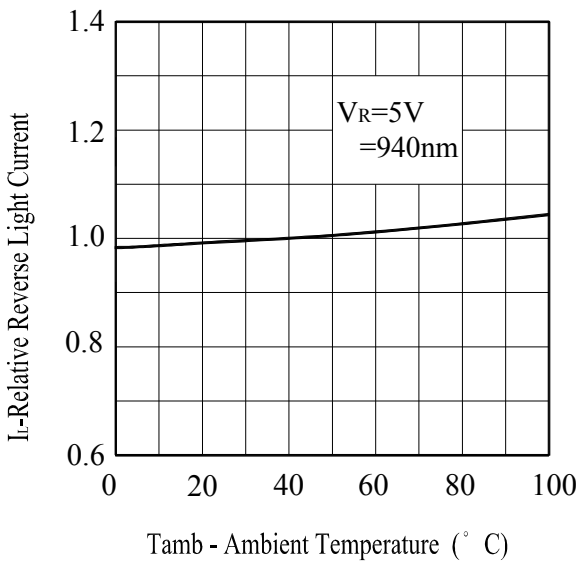
Terminal Capacitance vs. Reverse Voltage



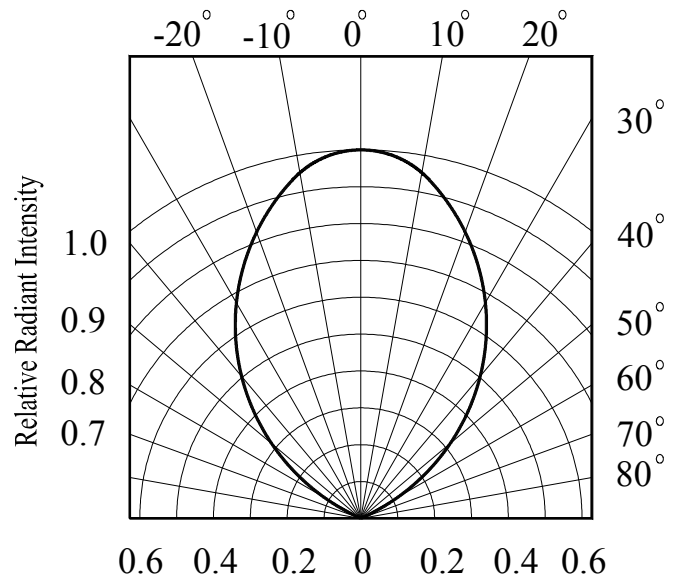
Response Time vs. Load Resistance



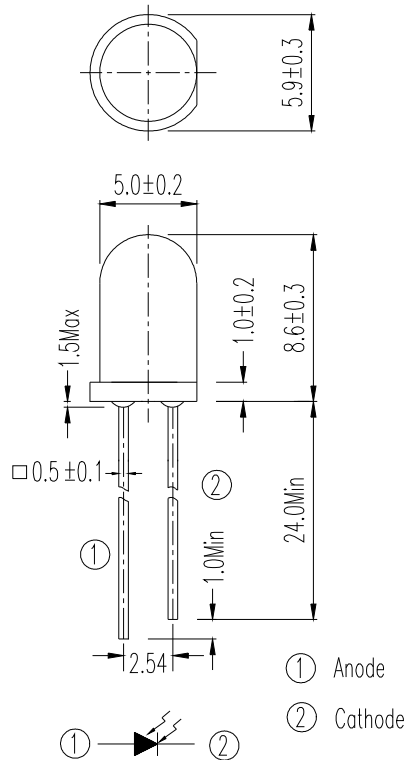
Relative Reverse Light Current vs. Ambient Temperature



Relative Radiant Intensity vs. Angular Displacement

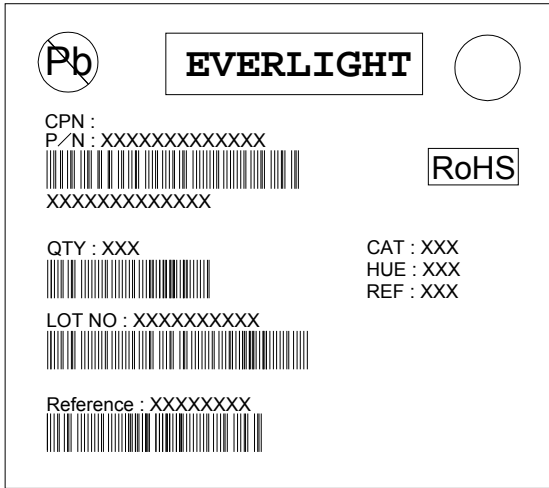


Package Dimension



Note: Tolerances unless dimensions  $\pm 0.25$ mm

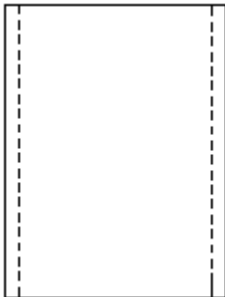
**Label Form Specification**



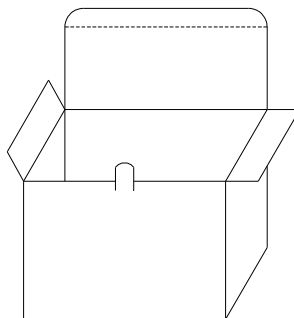
- CPN: Customer's Product Number
- P/N: Product Number
- QTY: Packing Quantity
- CAT: Luminous Intensity Rank
- HUE: Dom. Wavelength Rank
- REF: Forward Voltage Rank
- LOT No: Lot Number
- X: Month
- Reference: Identify Label Number

**Packing Specification**

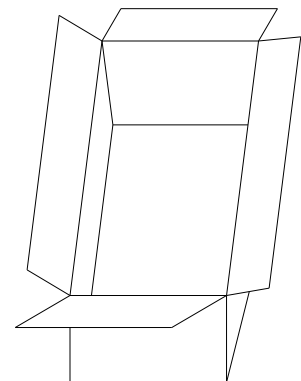
■ Anti-electrostatic bag



■ Inner Carton



■ Outside Carton



■ Packing Quantity

1. 500 PCS/1 Bag, 5 Bags/1 Inner Carton
2. 10 Inner Cartons/1 Outside Carton

**Notes**

1. Lead Forming

- During lead formation, the leads should be bent at a point at least 3mm from the base of the epoxy bulb.
- Lead forming should be done before soldering.
- Avoid stressing the LED package during leads forming. The stress to the base may damage the LED's characteristics or it may break the LEDs.
- Cut the LED lead frames at room temperature. Cutting the lead frames at high temperatures may cause failure of the LEDs.
- When mounting the LEDs onto a PCB, the PCB holes must be aligned exactly with the lead position of the LED. If the LEDs are mounted with stress at the leads, it causes deterioration of the epoxy resin and this will degrade the LEDs.

2. Storage

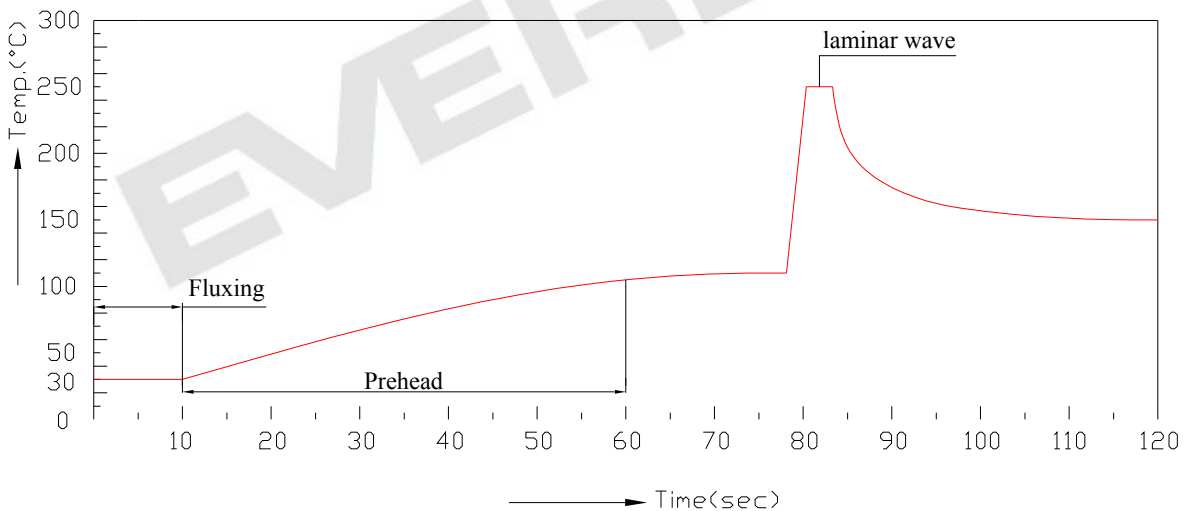
- The LEDs should be stored at 30°C or less and 70%RH or less after being shipped from Everlight and the storage life limits are 3 months. If the LEDs are stored for 3 months or more, they can be stored for a year in a sealed container with a nitrogen atmosphere and moisture absorbent material.
- Please avoid rapid transitions in ambient temperature, especially, in high humidity environments where condensation can occur.

3. Soldering

- Careful attention should be paid during soldering. When soldering, leave more than 3mm from solder joint to epoxy bulb, and soldering beyond the base of the tie bar is recommended.
- Recommended soldering conditions:

Hand Soldering		DIP Soldering	
Temp. at tip of iron	300 Max. (30W Max.)	Preheat temp.	100 Max. (60 sec Max.)
Soldering time	3 sec Max.	Bath temp. & time	260 Max., 5 sec Max
Distance	3mm Min.(From solder joint to epoxy bulb)	Distance	3mm Min. (From solder joint to epoxy bulb)

- Recommended soldering profile



- Avoiding applying any stress to the lead frame while the LEDs are at high temperature particularly when soldering.
- Dip and hand soldering should not be done more than one time
- After soldering the LEDs, the epoxy bulb should be protected from mechanical shock or vibration until the LEDs return to room temperature.
- A rapid-rate process is not recommended for cooling the LEDs down from the peak temperature.



Although the recommended soldering conditions are specified in the above table, dip or hand soldering at the lowest possible temperature is desirable for the LEDs.

- Wave soldering parameter must be set and maintain according to recommended temperature and dwell time in the solder wave.
4. Cleaning
- When necessary, cleaning should occur only with isopropyl alcohol at room temperature for a duration of no more than one minute. Dry at room temperature before use.
  - Do not clean the LEDs by the ultrasonic. When it is absolutely necessary, the influence of ultrasonic cleaning on the LEDs depends on factors such as ultrasonic power and the assembled condition. Ultrasonic cleaning shall be pre-qualified to ensure this will not cause damage to the LED
5. Heat Management
- Heat management of LEDs must be taken into consideration during the design stage of LED application. The current should be de-rated appropriately by referring to the de-rating curve found in each product specification.
  - The temperature surrounding the LED in the application should be controlled. Please refer to the data sheet de-rating curve.
6. ESD (Electrostatic Discharge)
- Electrostatic discharge (ESD) or surge current (EOS) can damage LEDs.
  - An ESD wrist strap, ESD shoe strap or antistatic gloves must be worn whenever handling LEDs.
  - All devices, equipment and machinery must be properly grounded.
  - Use ion blower to neutralize the static charge which might have built up on surface of the LEDs plastic lens as a result of friction between LEDs during storage and handing.
7. Other
- Above specification may be changed without notice. EVERLIGHT will reserve authority on material change for above specification.
  - When using this product, please observe the absolute maximum ratings and the instructions for using outlined in these specification sheets. EVERLIGHT assumes no responsibility for any damage resulting from use of the product which does not comply with the absolute maximum ratings and the instructions included in these specification sheets.
  - These specification sheets include materials protected under copyright of EVERLIGHT corporation. Please don't reproduce or cause anyone to reproduce them without EVERLIGHT's consent.