

## SUMMARY

### # Wires

Low	8
High	0
Coax	0
Triax	0
Quad	0
Fiber	0
Fluidic	0



*Image is for illustrative purpose only*

### Download

[Request a quote](#)

[Catalog](#)

### Series

Termination type	Female solder
IP rating	50
Cable Ø	0.00 - 0.00 mm
Matching parts	
Status	
Alternative part	

## TECHNICAL DETAILS

### Mechanics

Shell Style/Model	PK*:
Keying	2 keys (alpha=60; Plug: male contacts; Receptacle: female contacts)
Housing Material	PEI (Polyetherimide), gray
Cable Fixing	∅ 0 - 0 mm
Variant	V : Green front nut

### Performance

Configuration	1P.M08 : 8 Low Voltage
Insulator	
Rated Current	5 Amps

### Specifications

Contact Type:	Solder
Max. Matings:	2000
Contact Dia.:	0.7 mm (0.0275in)
Bucket Dia.:	0.6 mm (0.024in)
Max. Solid Conductor:	0.14 mm <sup>2</sup> (AWG 26)
Max. Stranded Conductor:	0.14 mm <sup>2</sup> (AWG 26)

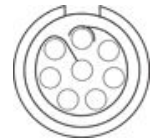
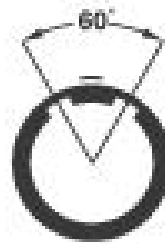
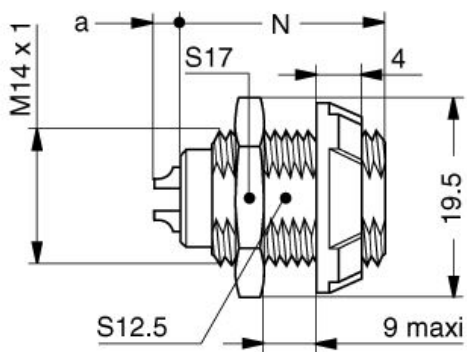
R (max): 6.5 mOhm  
 Test voltage (kV rms) Contact-contact: 1.05  
 Air clearance min. (mm) or Creepage distance min. (mm): 0.6

## Others

F ret (min): 50 N  
 F ret (max): 150 N  
 IP Rating: 50

# DRAWINGS

## Draws



## Dimensions

	A	Lmax	N
mm.	19.5	25	20.5
in.	0,77	0,98	0,81

# RECOMMENDED BY LEMO

## Tools

None

## Cables