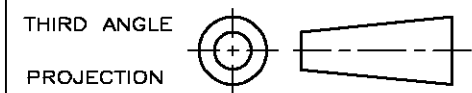


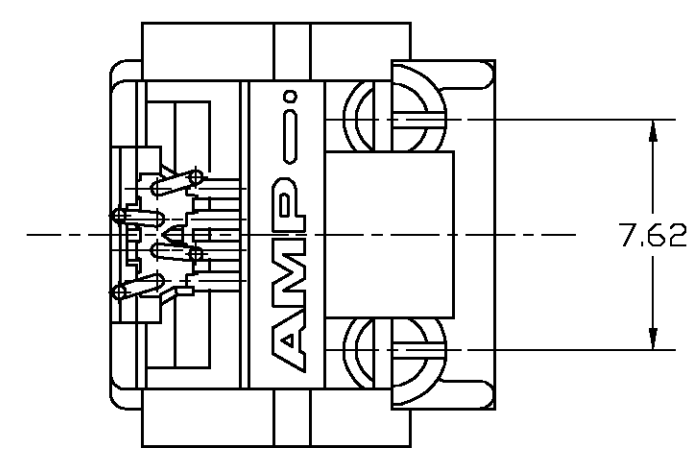
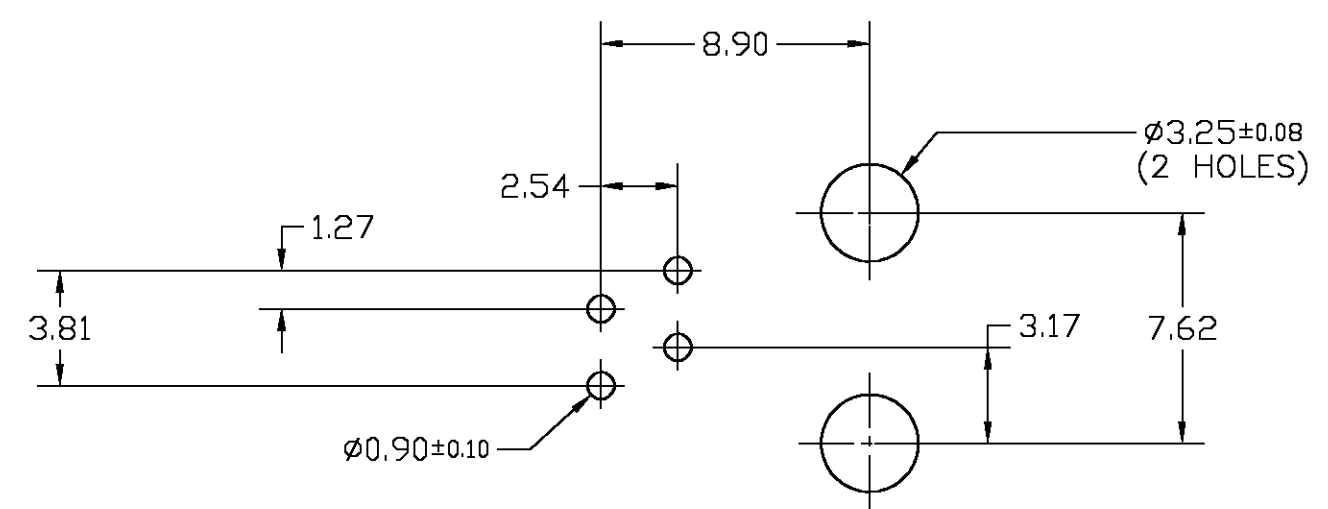
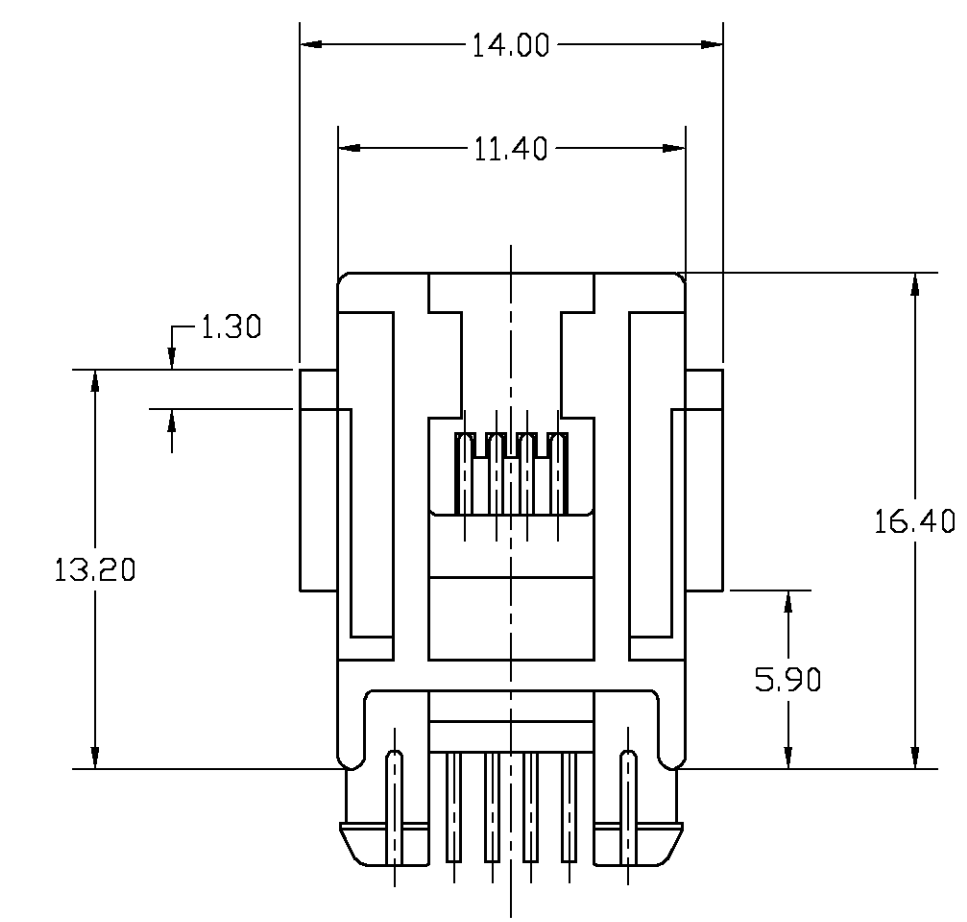
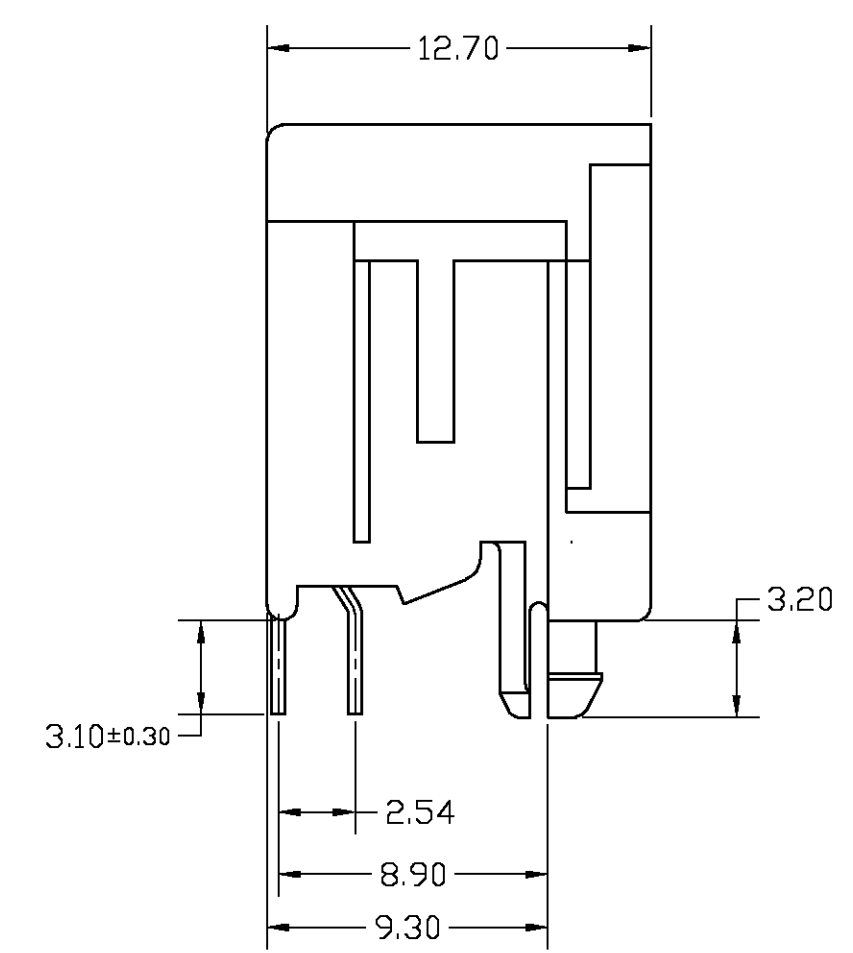
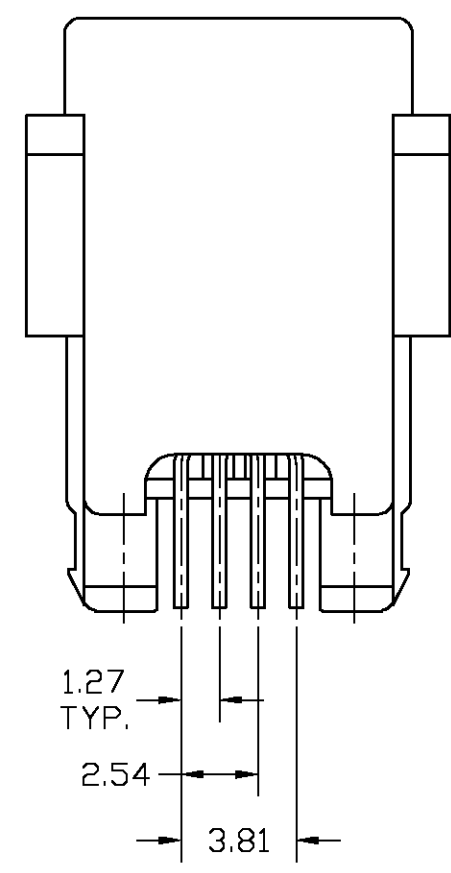
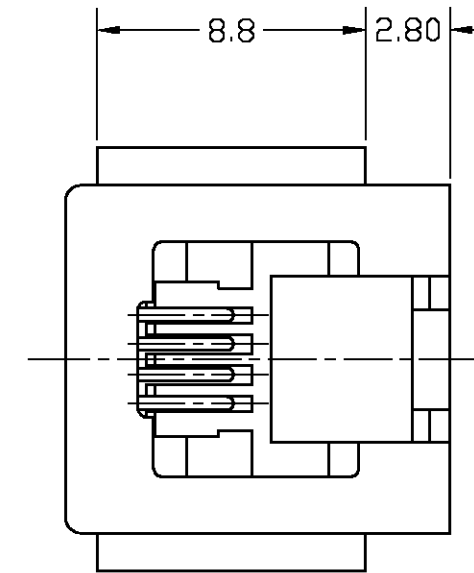
DO NOT SCALE
DIMENSIONS IN mm

METRIC



NOTES:

- 1 TOLERANCES UNLESS OTHERWISE SPECIFIED: $\pm 0,15$
- 2 FOR APPLICATION INFORMATION SEE AMP SPEC. 114-19019.
- 3 FOR PERFORMANCE REQUIREMENTS SEE AMP SPEC. 108-19064



PRINTED CIRCUIT BOARD LAYOUT

VIEW SHOWN IS CIRCUIT (NONCOMPONENT) SIDE OF BOARD.
TOLERANCES UNLESS OTHERWISE SPECIFIED: $\pm 0,05$.
PRINTED CIRCUIT BOARD THICKNESS: 1,6 mm NOMINAL.

1000 PCS ON A 60 CM DIA. REEL	4 POSITIONS/ 4 CONTACTS.	IN CONTACT AREA: 1,2 μ m MIN. SEL. GOLD OVER 1,2 μ m MIN. NICKEL	HOUSING: PBT,UL 94-HB COLOR: BLACK	216546-1
PACKAGING	REMARKS	FINISH	MATERIAL	PARTNUMBER
CUSTOMER DRAWING FOR REFERENCE ONLY WILL NOT BE UPDATED				
© COPYRIGHT 19 BY AMP HOLLAND B.V. ALL INTERNATIONAL RIGHTS RESERVED. AMP PRODUCTS MAY BE COVERED BY U.S. AND FOREIGN AND/OR PATENTS PENDING.				
J	SR10-0119-01	KV KV	23 APR 01	THIS DRAWING IS UNPUBLISHED RELEASED FOR PUBLICATION
H	EH00-0244-98	EvE MVE	26 OCT 98	
G	EH00-0244-96	MVE G.C.	15 FEB 96	
F	EH00-0001-95	G.C. CS	14 MAR 95	
E	EH00-0042-94	JvL CS	31 JAN 94	
LTR.	REVISION RECORD	DR. CHK.	DATE	
DR.: J.v.LIEMPT	CHK.: C.STERKEN	APP.: L.v.SOEST	DWG.No.	REV.LTR. SHEET
DATE: 31 JAN 94	DATE: -	DATE: -	C-216546	J 1 OF 1 A2