

# Bottom Port SiSonic™ Microphone

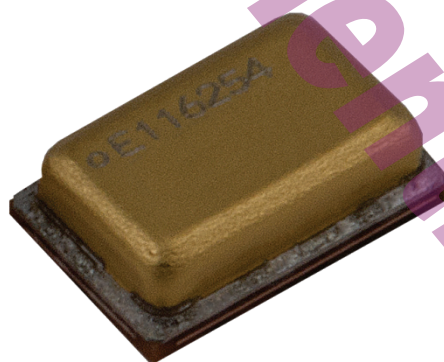
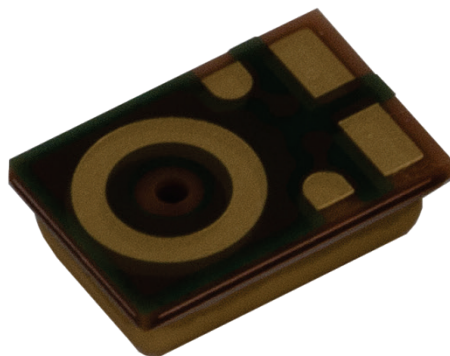
The SPV08A0LR5H-1 is a miniature, high-performance, low power, matched sensitivity bottom port silicon microphone. Using Knowles' proven high performance SiSonic™ MEMS technology, the SPV08A0LR5H-1 consists of an acoustic sensor, a low noise input buffer, and an output amplifier. These devices are suitable for applications such as cellphones, smart phones, laptop computers, sensors, digital still cameras, portable music recorders, and other portable electronic devices where excellent wideband audio performance and RF immunity are required.

## Product Features

- Matched Sensitivity
- Small Package
- Flat Frequency Response
- Low Current
- MaxRF Protection
- Bottom Port
- Ultra-Stable Performance
- Standard SMD Reflow
- Omnidirectional
- LGA Package

## Typical Applications

- Portable electronics
- Cellphones
- Laptop Computers
- Headsets
- Tablets
- Digital Still Cameras
- Portable Music Recorders



# Absolute Maximum Ratings

Table 1: Absolute Maximum Ratings

Parameter	Absolute Maximum Rating	Units
Vdd to Ground	-0.3, +5.0	V
Out-, Out+ to Ground	-0.3, Vdd+0.3	V
Input Current to any pin	±5	mA
Storage Temperature	-40 to +100	°C
Operating Temperature	-40 to +85	°C

Stresses exceeding these “Absolute Maximum Ratings” may cause permanent damage to the device. These are stress ratings only. Functional operation at these or any other conditions beyond those indicated under “Acoustic & Electrical Specifications” is not implied. Exposure beyond those indicated under “Acoustic & Electrical Specifications” for extended periods may affect device reliability.

# Acoustic & Electrical Specifications<sup>1</sup>

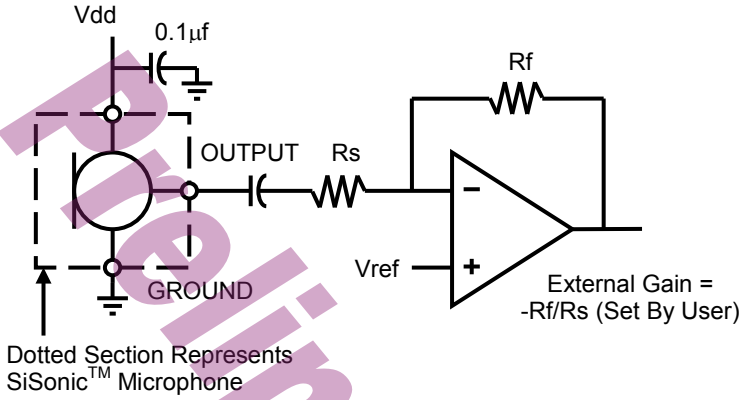
Table 2: General Microphone Specifications

Test Conditions: 23 ±2°C, 55±20% R.H., Vdd=2.7V, no load, unless otherwise indicated

Parameter	Symbol	Conditions	Min	Typ	Max	Units
Supply Voltage	Vdd		2.3	-	3.6	V
Supply Current	Idd	Vdd = 2.7V	-	180	200	µA
Sensitivity	S	94 dB SPL @ 1 kHz	-43	-42	-42	dBV/Pa
Signal to Noise Ratio	SNR	94 dB SPL @ 1 kHz, A-weighted	-	64	-	dB(A)
Total Harmonic Distortion	THD	94 dB SPL @ 1 kHz, S = Typ, Rload > 2kΩ	-	0.2	-	%
		1% THD @ 1 kHz Vdd = 2.7v, S = Typ, Rload > 2kΩ	-	132	-	dB SPL
Acoustic Overload Point	AOP	10% THD @ 1 kHz, Vdd = 2.7v, S = Typ, Rload > 2kΩ	-	134	-	dB SPL
Low Frequency Rolloff	LFRO	-3dB relative to 1kHz	-	TBD	-	Hz
Power Supply Rejection Ratio	PSRR	200 mVpp sinewave @ 1kHz, Vdd = 2.7 v	-	81	-	dB
Power Supply Rejection	PSR+N	200 mVpp 7/8 duty cycle rectangular wave @ 217 Hz, Vdd = 2.7V, A-weighted	-	-97	-	dBV(A)
DC Output		Vdd = 2.7V	-	TBD	-	V
Output Impedance		@ 1 kHz	-	400	-	Ω
Sensitivity Drop		Vdd(min) ≤ Vdd ≤ Vdd(max)	-	-	±0.25	dB
Directivity			Omnidirectional			
Polarity		Increasing sound pressure	Increasing output voltage			

<sup>1</sup> Sensitivity and Supply Current are 100% tested.

## Application Notes



Notes: All Ground pins must be connected to ground.

Capacitors near the microphone should not contain Class 2 dielectrics due to their piezoelectric effects.

Detailed information on acoustic, mechanical, and system integration can be found in the latest *SiSonic™ Design Guide* application note.

Figure 1: Typical Application Circuit

# Performance Curves

Test Conditions: V<sub>dd</sub>=2.7V, no load, unless otherwise indicated

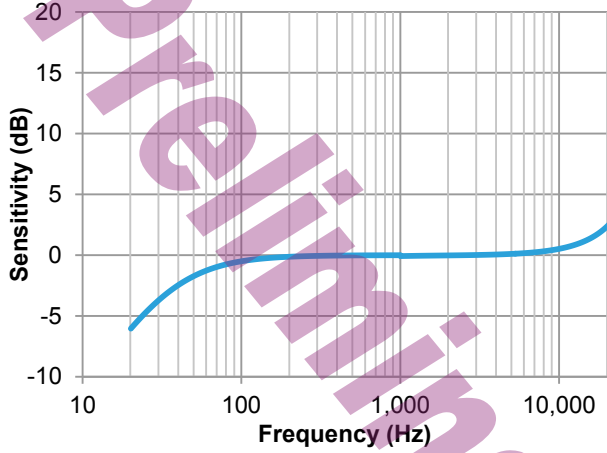


Figure 2: Typical Free Field Response Normalized to 1 kHz

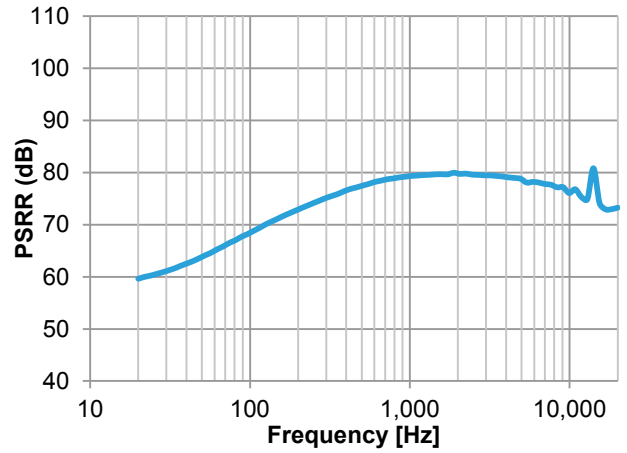


Figure 3: Typical PSRR vs Frequency

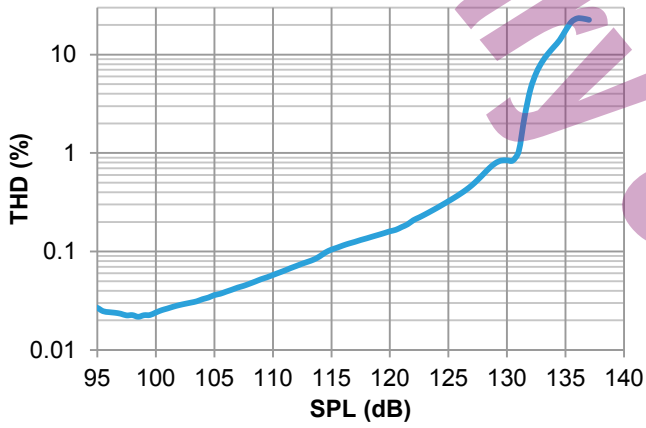


Figure 4: Typical THD vs SPL

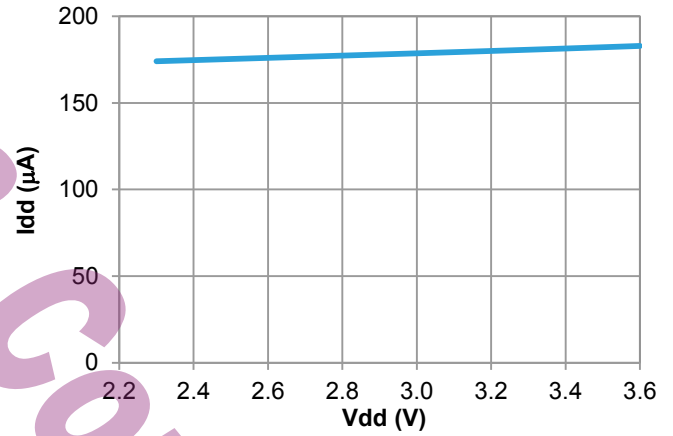


Figure 3: Typical I<sub>dd</sub> vs V<sub>dd</sub>

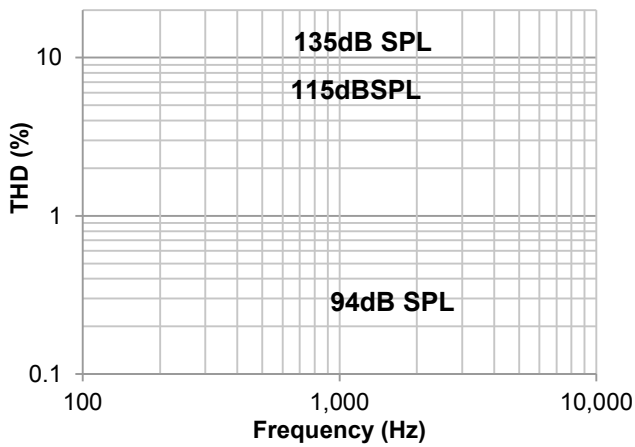


Figure 6: THD vs Frequency

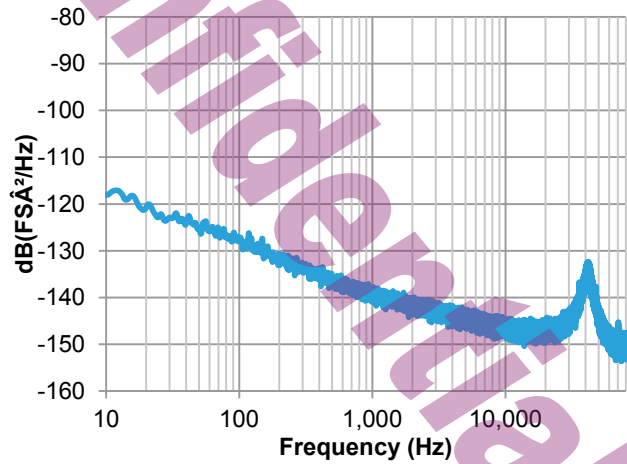
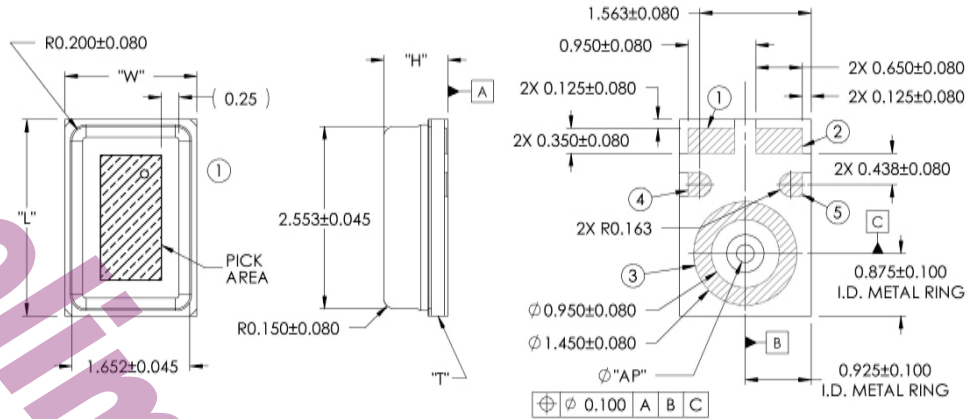


Figure 7: Noise Floor Power Spectral Density

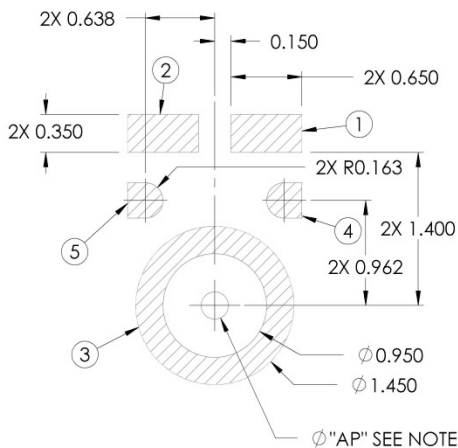
## Mechanical Specifications



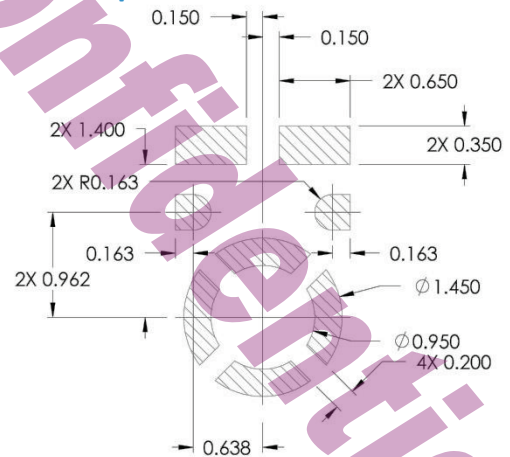
Item	Dimension	Tolerance
Length (L)	2.75	$\pm 0.10$
Width (W)	1.85	$\pm 0.10$
Height (H)	0.90	$\pm 0.10$
Acoustic Port (AP)	$\phi 0.25$	$\pm 0.05$
PCB Thickness (T)	0.285	-0.035, +0.05

Pin #	Pin Name	Type	Description
1	Vdd	Power	Power Supply
2	OUT	Signal	Output
3	GROUND	Power	Ground
4	No Connect	N/A	Test Pin—no electrical connection, only mechanical connection
5	No Connect	N/A	Test Pin—no electrical connection, only mechanical connection

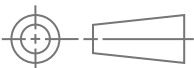
### Example Land Pattern



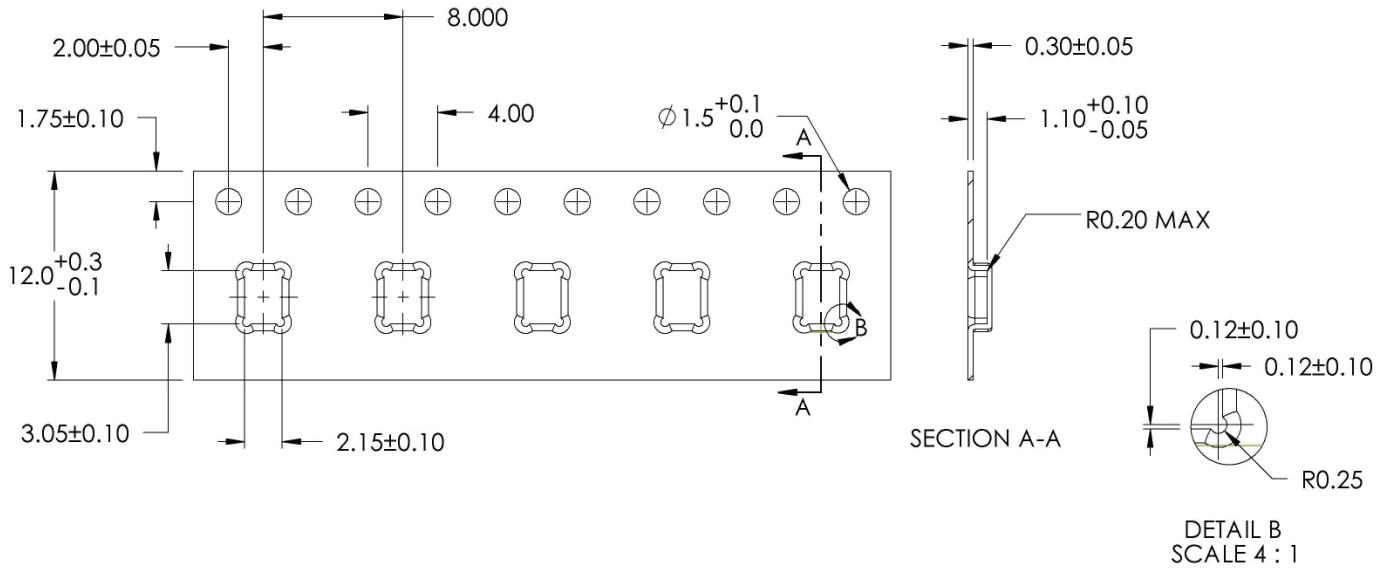
### Example Solder Stencil Pattern



- Notes:
- Pick Area only extends to 0.25 mm of any edge or hole unless otherwise specified.
  - Dimensions are in millimeters unless otherwise specified.
  - Tolerance is  $\pm 0.15$  mm unless otherwise specified.
  - Detailed information on AP size considerations can be found in the latest *SiSonic™ Design Guide* application note.
  - Further optimizations based on application should be performed.



## Packaging & Marking Detail



Model Number	Suffix	Reel Diameter	Quantity Per Reel
SPV08A0LR5H-1	-8	13"	5,900

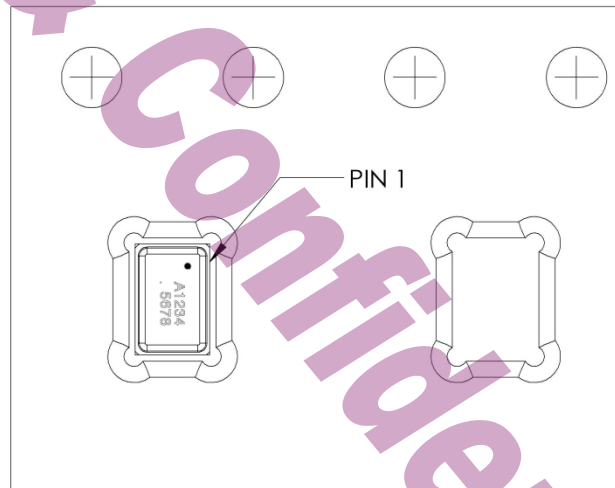
o: orientation mark

Alpha Character A:

- "S": Knowles SiSonic™ Production
- "E": Knowles Engineering Samples
- "P": Knowles Prototype Samples

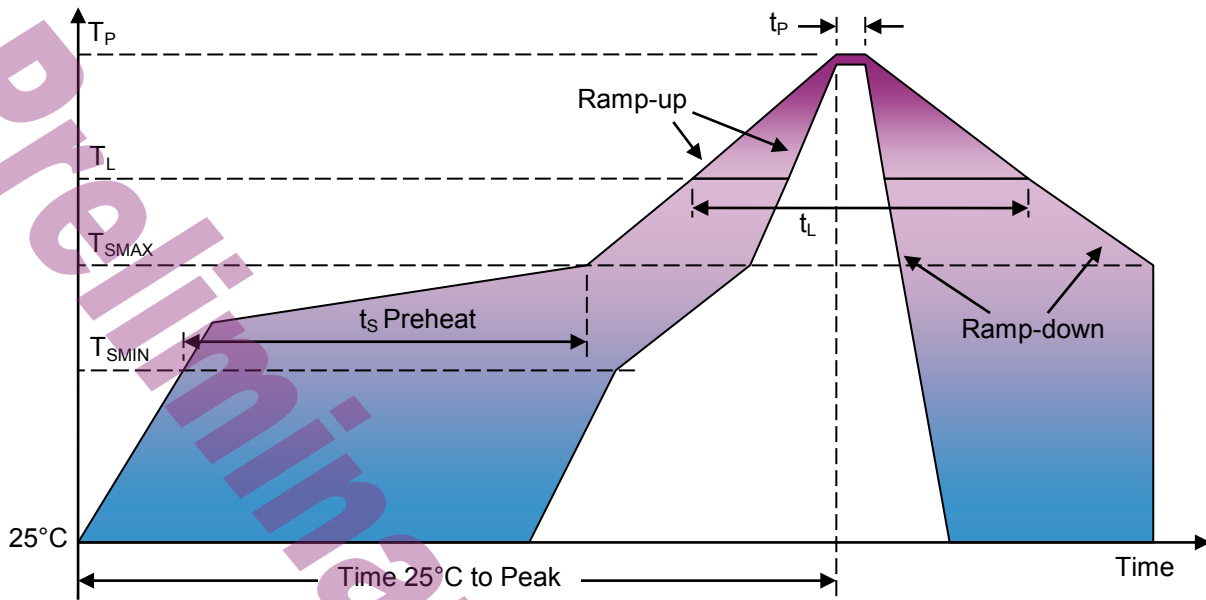
"JIN -NUMBER":

Unique Job Identification Number for product traceability



- Notes:
- Dimensions are in millimeters unless otherwise specified.
  - Vacuum pickup only in the pick area indicated in Mechanical Specifications.
  - Tape & reel per EIA-481.
  - Labels applied directly to reel and external package.
  - Shelf life: Twelve (12) months when devices are to be stored in factory supplied, unopened ESD moisture sensitive bag under maximum environmental conditions of 30°C, 70% R.H.

## Recommended Reflow Profile



Profile Feature	Pb-Free
Average Ramp-up rate ( $T_{SMAX}$ to $T_P$ )	$3^\circ\text{C}/\text{second}$ max.
Preheat <ul style="list-style-type: none"> <li>Temperature Min (<math>T_{SMIN}</math>)</li> <li>Temperature Max (<math>T_{SMAX}</math>)</li> <li>Time (<math>T_{SMIN}</math> to <math>T_{SMAX}</math>) (<math>t_s</math>)</li> </ul>	$150^\circ\text{C}$ $200^\circ\text{C}$ 60-180 seconds
Time maintained above: <ul style="list-style-type: none"> <li>Temperature (<math>T_L</math>)</li> <li>Time (<math>t_L</math>)</li> </ul>	$217^\circ\text{C}$ 60-150 seconds
Peak Temperature ( $T_P$ )	$260^\circ\text{C}$
Time within $5^\circ\text{C}$ of actual Peak Temperature ( $t_p$ )	20-40 seconds
Ramp-down rate ( $T_P$ to $T_{SMAX}$ )	$6^\circ\text{C}/\text{second}$ max
Time $25^\circ\text{C}$ to Peak Temperature	8 minutes max

Notes: Based on IPC/JDEC J-STD-020 Revision C.  
All temperatures refer to topside of the package, measured on the package body surface

## Additional Notes

- MSL (moisture sensitivity level) Class 1.
- Maximum of 3 reflow cycles is recommended.
- In order to minimize device damage:
  - Do not board wash or clean after the reflow process.
  - Do not brush board with or without solvents after the reflow process.
  - Do not directly expose to ultrasonic processing, welding, or cleaning.
  - Do not insert any object in port hole of device at any time.
  - Do not apply over 30 psi of air pressure into the port hole.
  - Do not pull a vacuum over port hole of the microphone.
  - Do not apply a vacuum when repacking into sealed bags at a rate faster than  $0.5 \text{ atm}/\text{sec}$ .

## Materials Statement

Meets the requirements of the European RoHS directive 2011/65/EC as amended.

Meets the requirements of the industry standard IEC 61249-2-21:2003 for halogenated substances and Knowles Green Materials Standards Policy section on Halogen-Free.

Product is Beryllium Free according to limits specified on the Knowles Hazardous Material List (HSL for Products).

Ozone depleting substances are not used in the product or the processes used to make the product, including compounds listed in Annex A, B, and C of the "Montreal Protocol on Substances That Deplete the Ozone Layer."

## Reliability Specifications

Test	Description
Reflow	5 reflow cycles with peak temperature of +260°C
High Temperature Storage	+105°C environment for 1,000 hours (IEC 68-2-2 Test Ba)
Low Temperature Storage	-40°C environment for 1,000 hours (IEC 68-2-1 Test Aa)
High Temperature Bias	+105°C environment while under bias for 1,000 hours (IEC 68-2-2 Test Ba)
Low Temperature Bias	-40°C environment while under bias for 1,000 hours (IEC 68-2-1 Test Aa)
Temperature/Humidity Bias	+85°C/85% R.H. environment while under bias for 1,000 hours (JESD22-A101A-B)
Thermal Shock	100 cycles of air-air thermal shock from -40°C to +125°C with 15 minute soaks (IEC 68-2-4)
Tumble test	300 Random Drops of Test Box on to Steel Base from 1.0m, 10 Tumbles/Minute
Vibration	16 minutes in each X, Y, Z axis from 20 to 2,000 Hz with peak acceleration of 20 G (MIL 883E, Method 2007.2,A)
Mechanical Shock	3 pulses of 10,000 G in each of the X, Y, and Z directions (IEC 68-2-27 Test Ea)
ESD-HBM	3 discharges of ±2kV direct contact to I/O pins (MIL 883E, Method 3015.7)
ESD-LID/GND	3 discharges of ±8kV direct contact to lid while unit is grounded (IEC 61000-4-2)
ESD-MM	3 discharges of ±200V direct contact to IO pins (ESD STM5.2)

Notes: After reliability tests are performed, the sensitivity of the microphones shall not deviate more than 3dB from their initial value.  
After 3 reflow cycles, the sensitivity of the microphones shall not deviate more than 1 dB from its initial value.



## Specification Revisions

Revision	Specification Changes	Date
1	Initial Release	8/25/2017
2	Updated mechanical drawing and landing pattern. Corrected PSR/PSRR conditions	9/20/2017

Information contained herein is subject to change without notice. It may be used by a party at their own discretion and risk. We do not guarantee any results or assume any liability in connection with its use. This publication is not to be taken as a license to operate under any existing patents.

Knowles Corporation  
1151 Maplewood Drive  
Itasca, Illinois 60143

Phone: (630) 250-5100  
Fax: (630) 250-0575  
sales@knowles.com

Model/Reference Number:  
SPV08A0LR5H-1 Rev 2