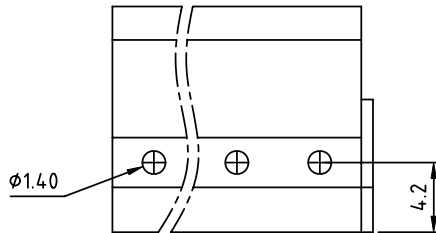
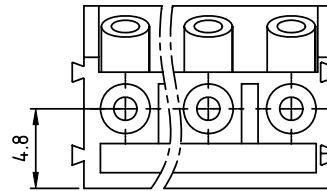
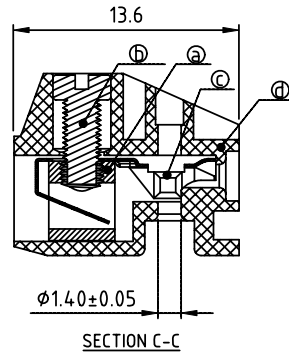
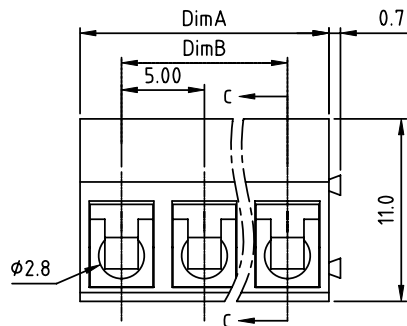
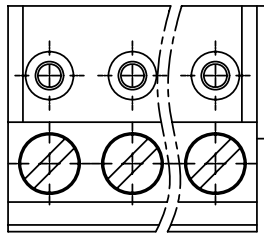


PRODUCT NUMBER	PITCH
THxx01x000J0G	5.00 mm



Material

- Item ① Clamp: Brass(CuZn) Tin plated
- Item ② Terminal screw: Steel Zinc plating "-" slot type
- Item ③ Female contact :PhBz (CuSn)
- Item ④ Terminal(housing): Thermoplastic (UL94V-0)

Electrical cULus / TUV / VDE

- Voltage rating: 300V/300V/300V
- Current rating: 15A/15A/12A
- Wire range: 0.34-1.5mm² / 0.34-1.5mm²
- Solid wire(AWG): 14-22 / 14-22
- Stranded wire(AWG): 14-22 / 14-22
- Torque: 3.5Lb-In / 0.4N.m / 0.4N.m
- Screw: M2.6
- Wire strip length: 5-6mm
- Withstanding Voltage: 1.6KV/2.5KV/2.5KV
- Operating temperature: -40°C to +115°C
- Safety Approval:



PART NO.: TH xx 01 x 0 00J0 G

N = Number of poles

Dim A=Nx5.0

Dim B=(N-1)x5.0

poles	Tolerance	
	Dim A	Dim B
2-6p	±0.15	±0.10
7-12p	±0.25	±0.15
13-18p	±0.30	±0.20
19-24p	±0.40	±0.30

End Stackable	0	Black (RAL9005)	RoHS compliant
No. of poles	2	Red (RAL3001/D)	(lead<4%)
02 2 poles	3	Orange(RAL2011/P)	In copper Alloy
03 3 poles	4	Yellow(RAL1018/A)	
...	5	Green(RAL6018/T)	
24 24 poles	6	Blue (RAL5015/A)	
	8	Grey(RAL7035/D)	
	9	White(RAL1102)	
	C	Green(RAL6018/U)	

mat'l. code		surface ASME Y14.5	tolerance ASME Y14.5	projection	product family TERMINAL BLOCK
ltr	ecn no	dr	date	tolerances unless otherwise specified	title TERMINAL BLOCK
				angles	scale
				X*±1°	FCI
		dr	EVIN ZHONG	041614	WIRE PROTECTOR,PLUGGABLE PLUG,END STACKABLE
		enrg	EVIN ZHONG	041614	dwg no
		chr	HANKE FENG	041614	sheet 1 of 1
		appd	SHI JUN	041614	size
					A4
sheet index	revision	A			type CUSTOMER Drawing
	sheet	1			