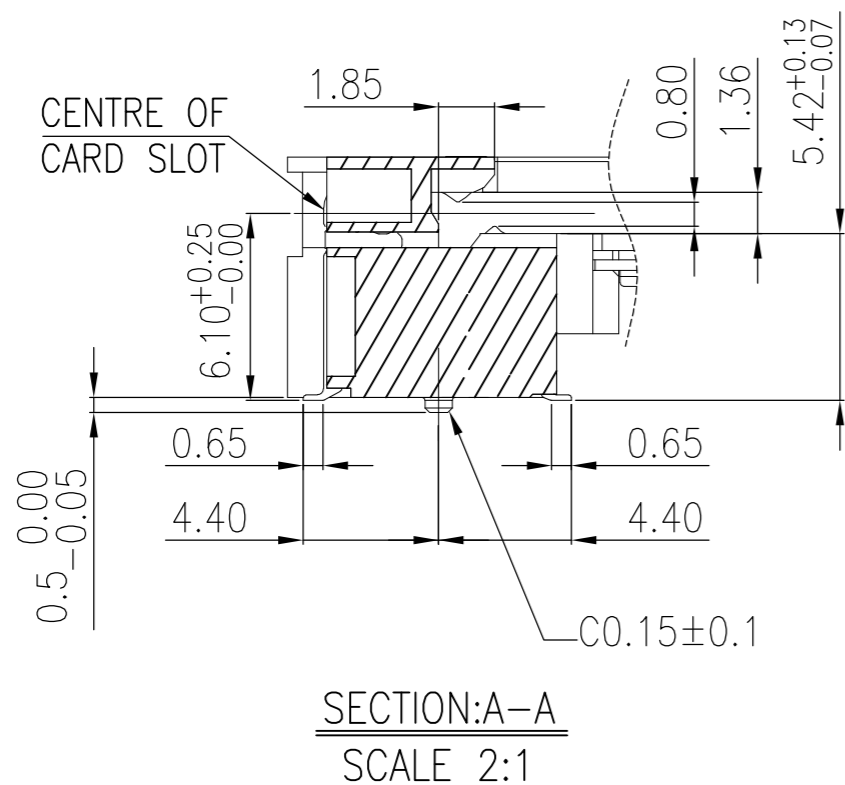
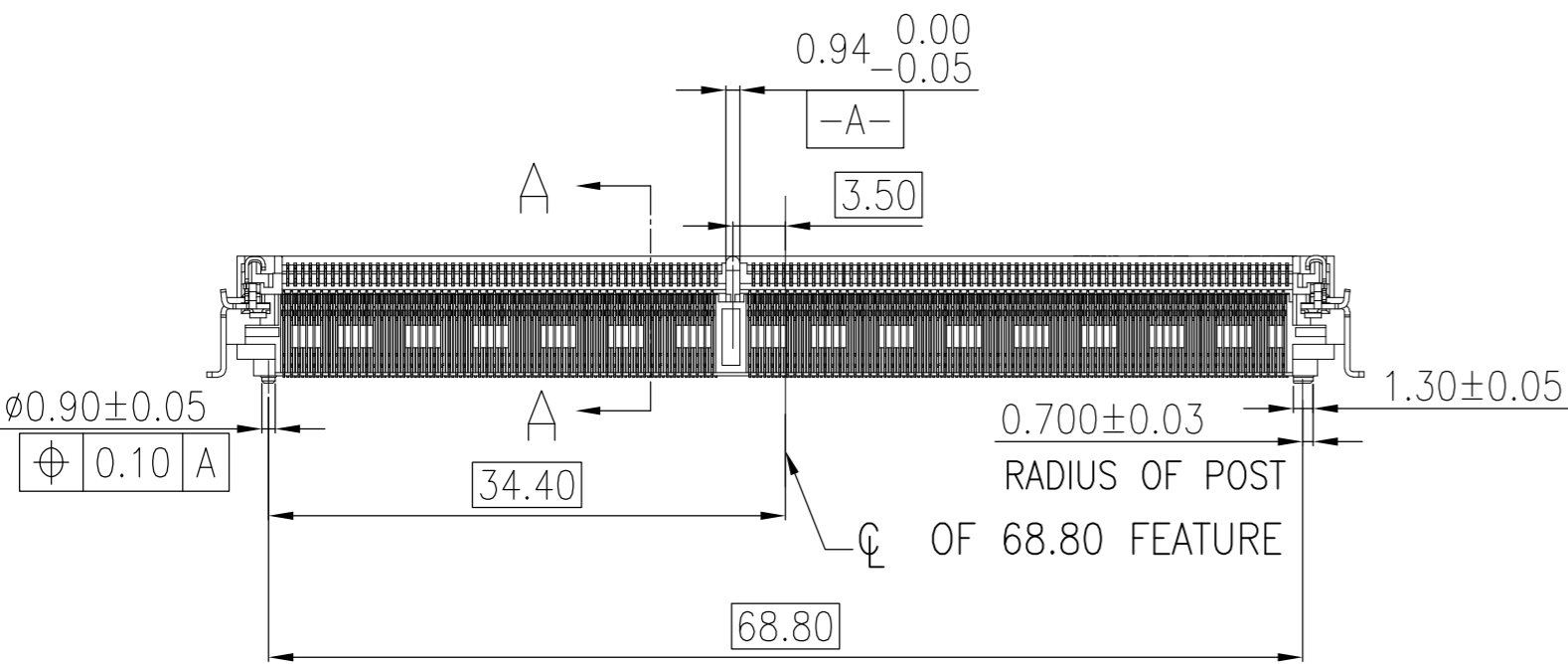
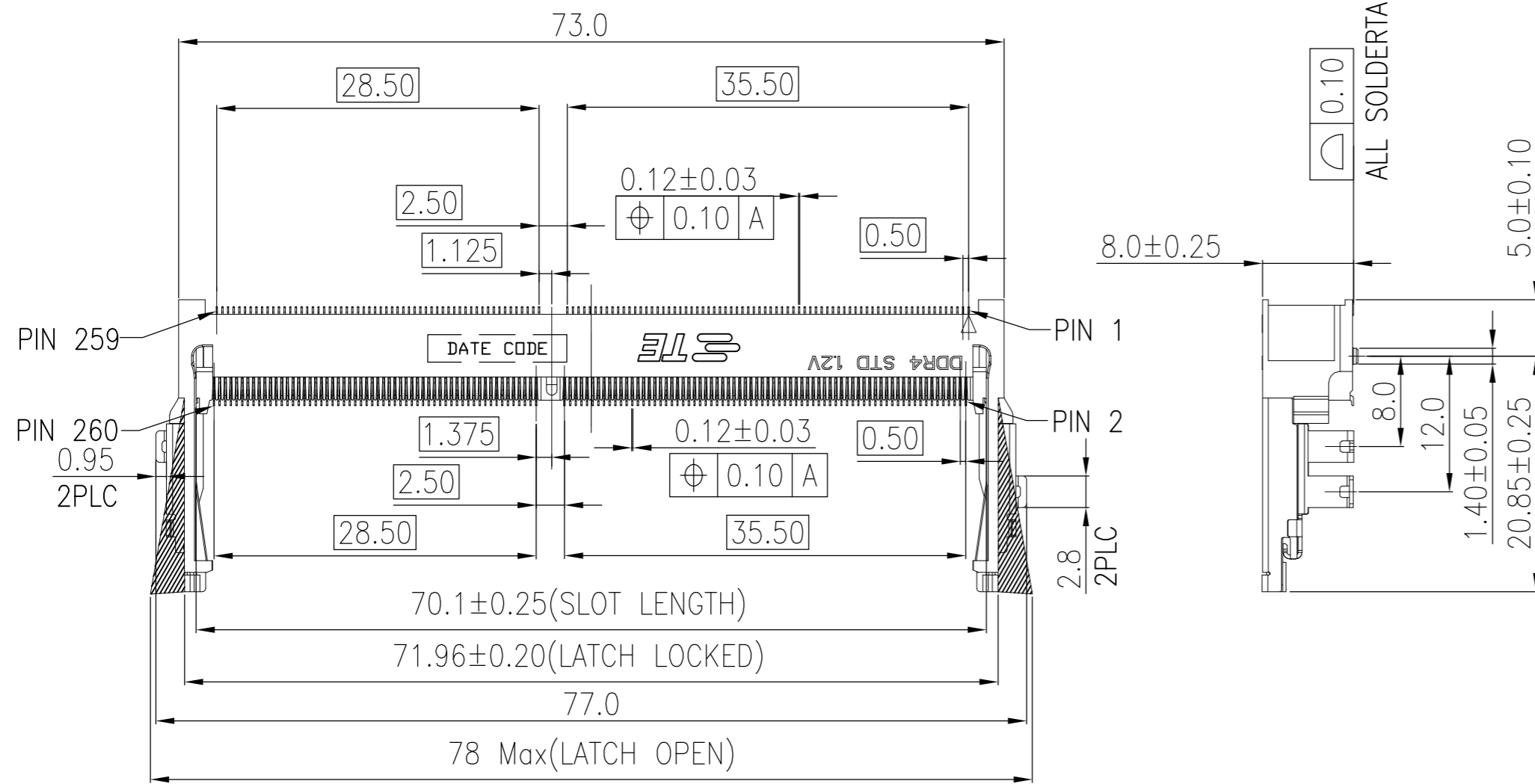
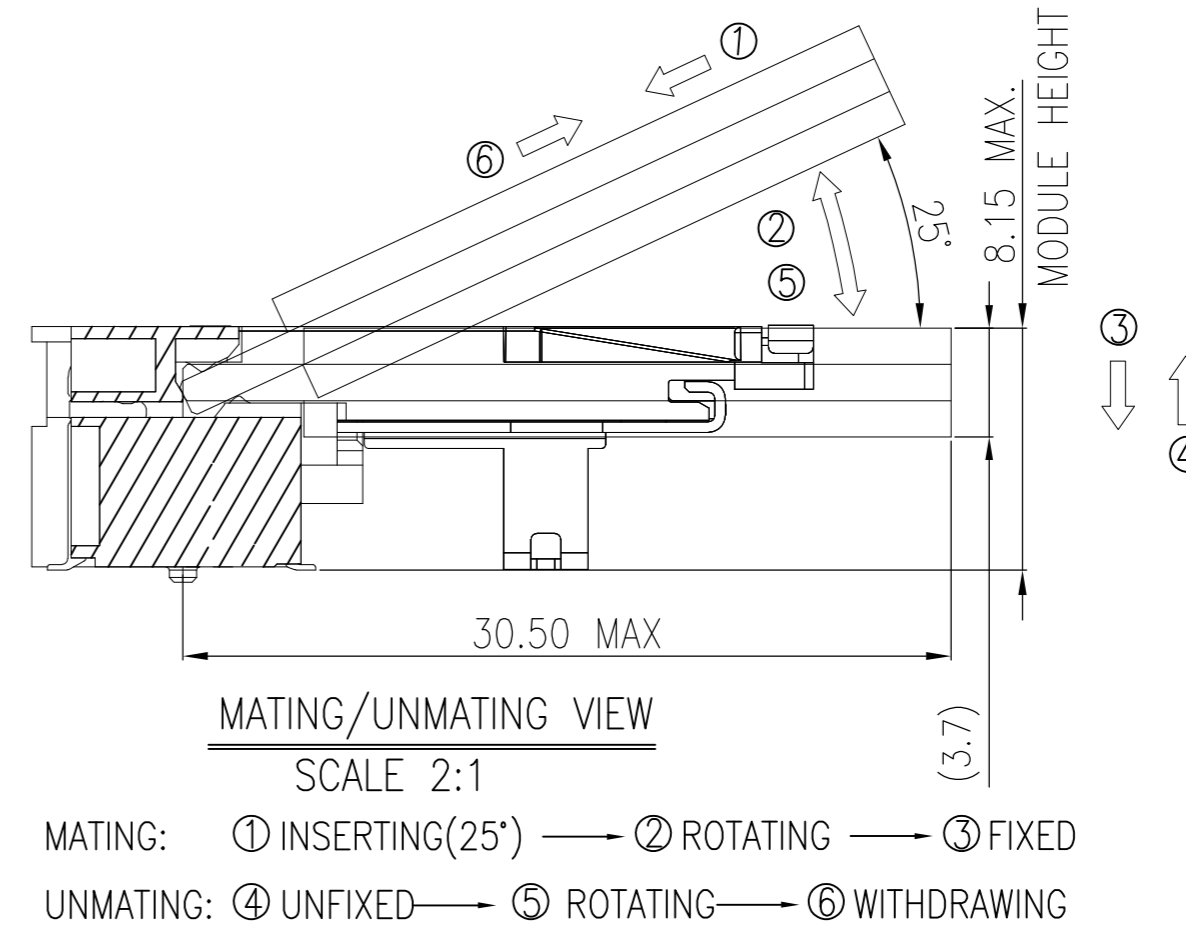


REVISIONS					
P	LTR	DESCRIPTION	DATE	DWN	APVD
3		REVISED	18FEB2017	D.Z	S.L



- NOTES:
- MATERIAL:
 - HOUSING: HIGH TEMPERATURE THERMO PLASTIC, UL94V-0, COLOR: BLACK.
 - CONTACT: COPPER ALLOY.
 - SOLDER PEG AND LATCH: STAINLESS STEEL.
 - FINISH:
 - SOLDER PEG: GOLD FLASH ON 50u" MIN NICKEL UNDERPLATED ALL OVER.
 - CONTACT SOLDER AREA: GOLD FLASH ON SOLDER TAIL.
 - CONTACT AREA: GOLD FLASH ON 50u" MIN NICKEL UNDERPLATED ALL OVER.
 - CONTACT AREA: 5u" ON 50u" MIN NICKEL UNDERPLATED ALL OVER.
 - CONTACT AREA: 10u" ON 50u" MIN NICKEL UNDERPLATED ALL OVER.
 - CONTACT AREA: 15u" ON 50u" MIN NICKEL UNDERPLATED ALL OVER.
 - CONTACT AREA: 30u" ON 50u" MIN NICKEL UNDERPLATED ALL OVER.
 - COPLANARITY: 0.10 MAX. (BEFORE SOLDERING)



MATING/UNMATING VIEW
SCALE 2:1

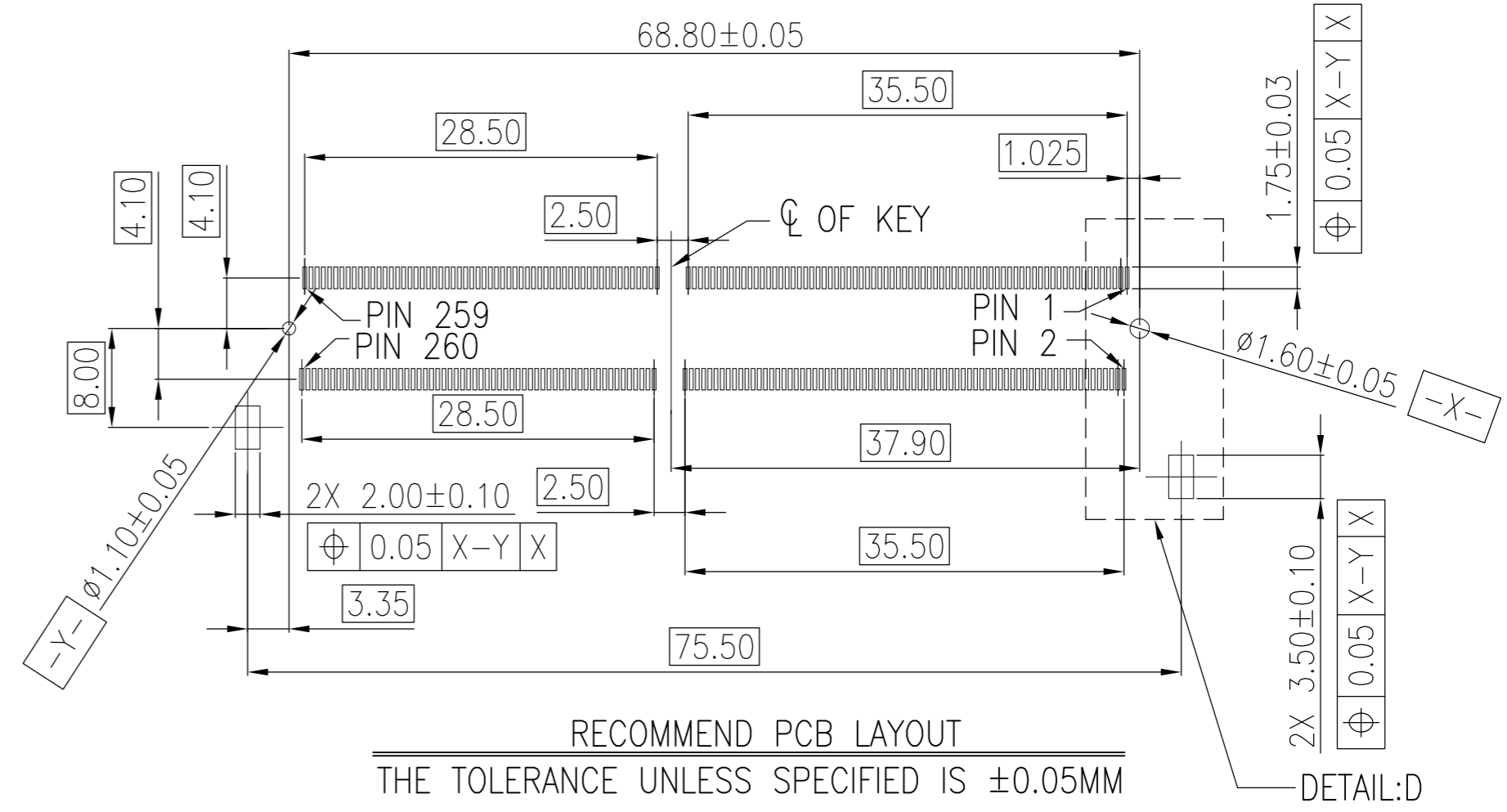
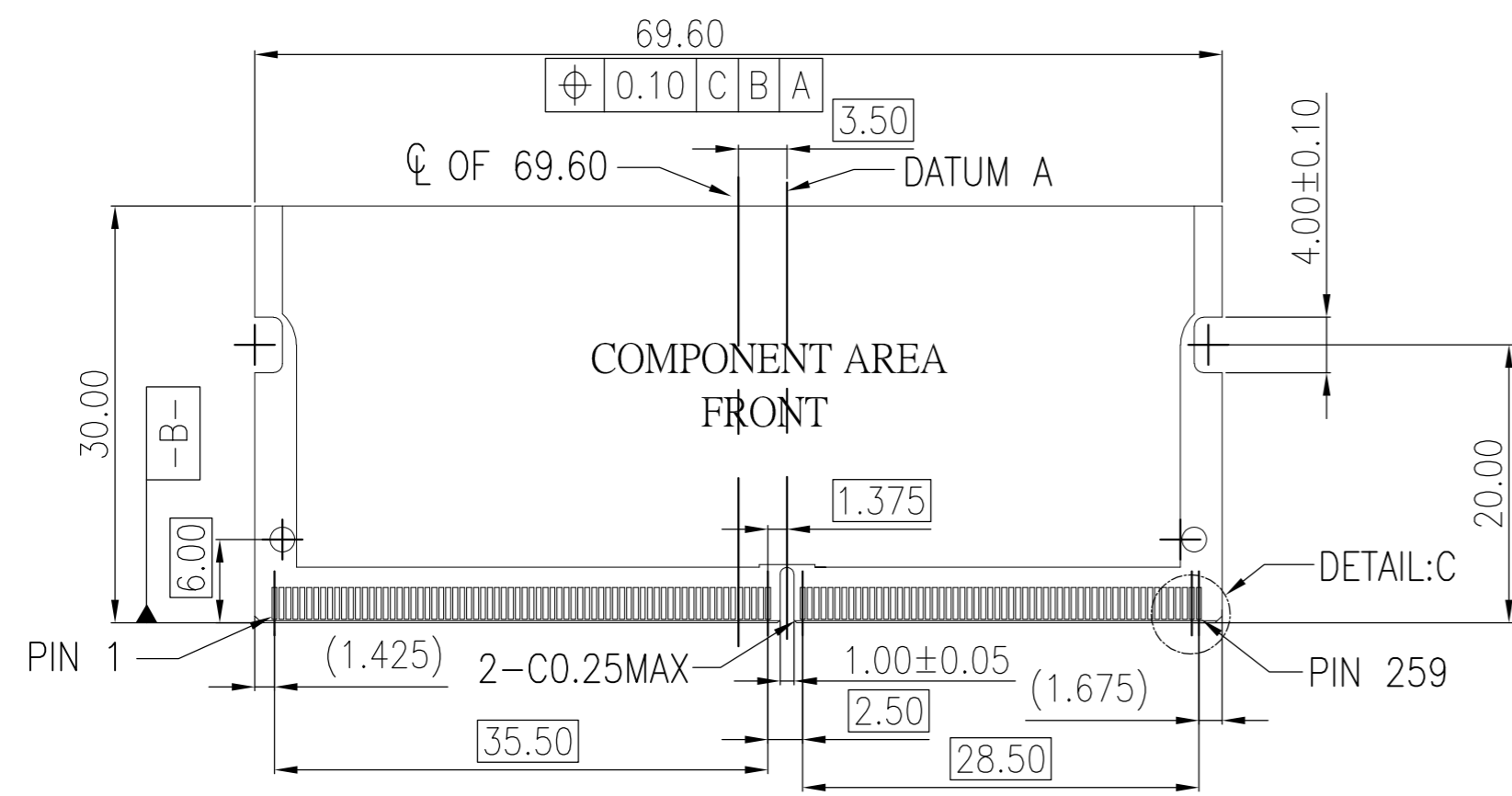
- MATING: ① INSERTING(25°) → ② ROTATING → ③ FIXED
 UNMATING: ④ UNFIXED → ⑤ ROTATING → ⑥ WITHDRAWING

TAPE&REEL	BLACK	1.2V	30u"	260	2309411-5
TAPE&REEL	BLACK	1.2V	15u"	260	2309411-4
TAPE&REEL	BLACK	1.2V	10u"	260	2309411-3
TAPE&REEL	BLACK	1.2V	5u"	260	2309411-2
TAPE&REEL	BLACK	1.2V	GF	260	2309411-1
PACKING TYPE	HOUSING COLOR	POWER SUPPLY	FINISH	POS	PART NO.

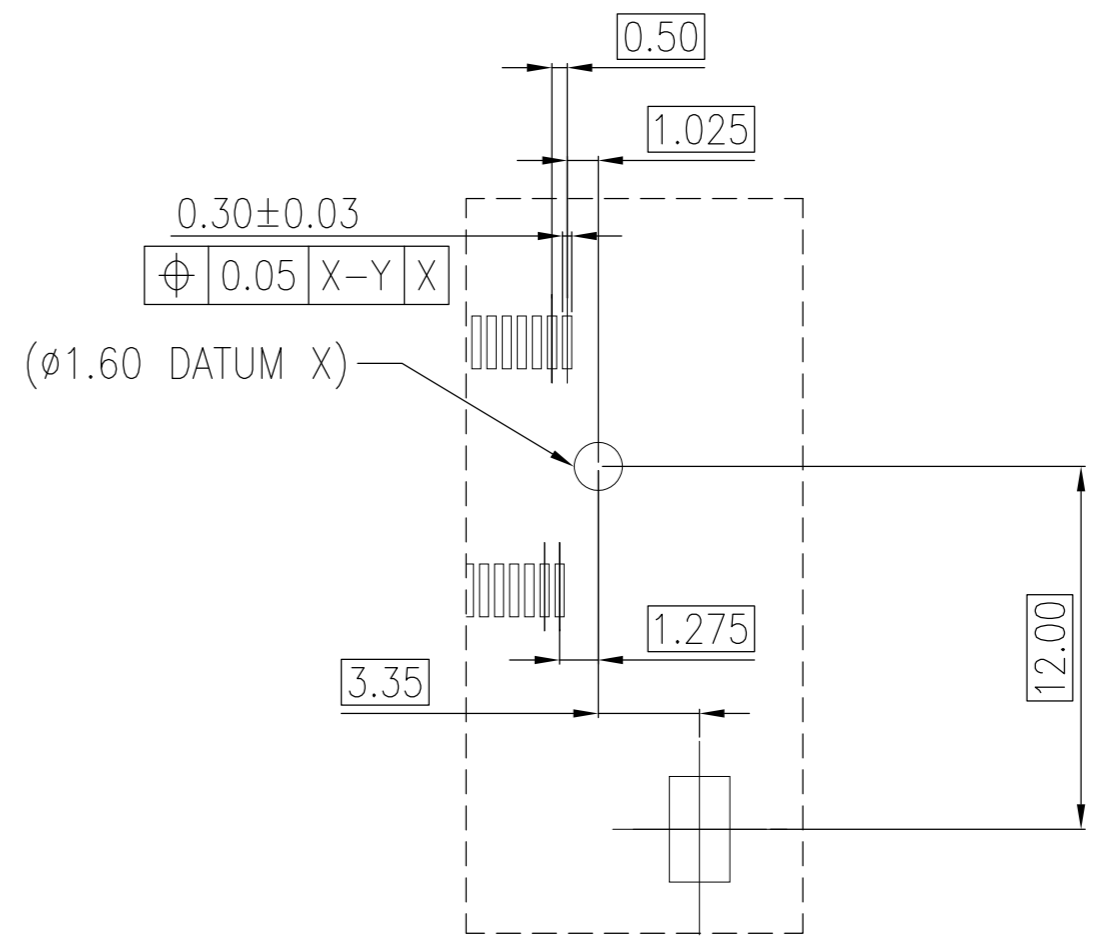
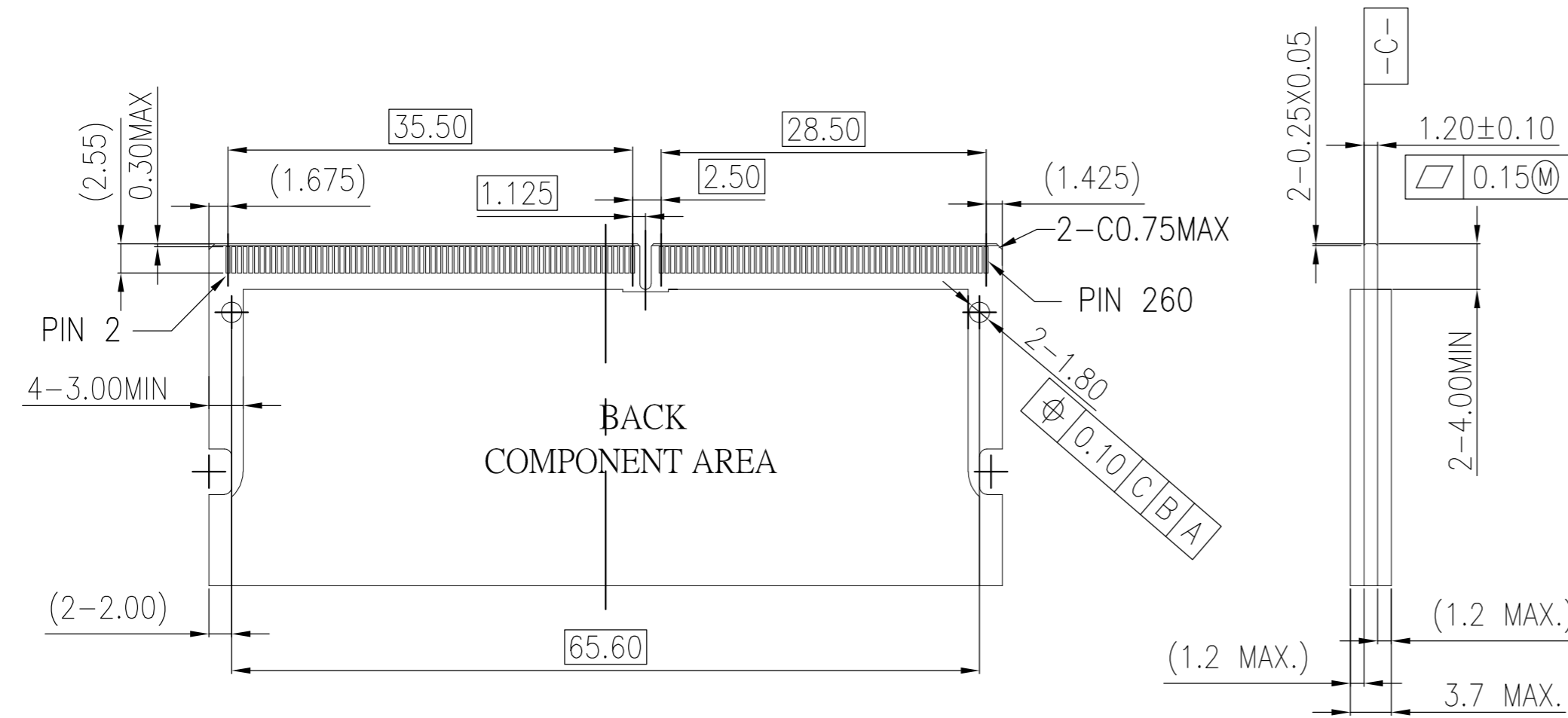
THIS DRAWING IS A CONTROLLED DOCUMENT.		DWN DAVID ZHAO 09SEP2016			
DIMENSIONS: mm		CHK RICHARD MA 09SEP2016			
TOLERANCES UNLESS OTHERWISE SPECIFIED:		APVD SIMON LI 09SEP2016	NAME		
0 PLC ± -		PRODUCT SPEC	DDR4 SODIMM SOCKET		
1 PLC ± 0.25		APPLICATION SPEC	0.5mm PITCH 260POS		
2 PLC ± 0.15			8.0mm HEIGHT STANDARD TYPE		
3 PLC ± 0.10			SIZE	CAGE CODE	DRAWING NO
4 PLC ± -			A2	00779	C=2309411
ANGLES ± -		WEIGHT	RESTRICTED TO		
FINISH		CUSTOMER DRAWING	SCALE 1:1	SHEET 1 of 3	REV 3

THIS DRAWING IS UNPUBLISHED. RELEASED FOR PUBLICATION
 © COPYRIGHT 2016 By TE connectivity ALL RIGHTS RESERVED.

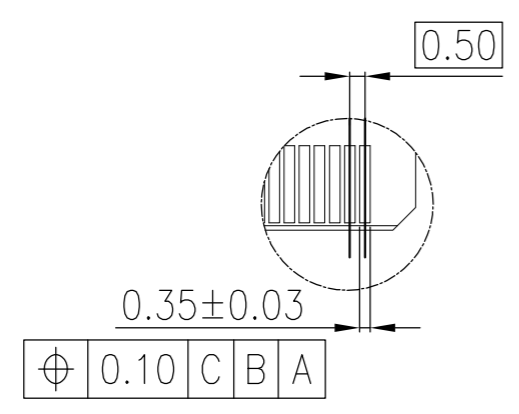
REVISIONS					
P	LTR	DESCRIPTION	DATE	DWN	APVD
-	-		-	-	-



RECOMMEND PCB LAYOUT
 THE TOLERANCE UNLESS SPECIFIED IS ±0.05MM



DETAIL:D
 SCALE 2:1

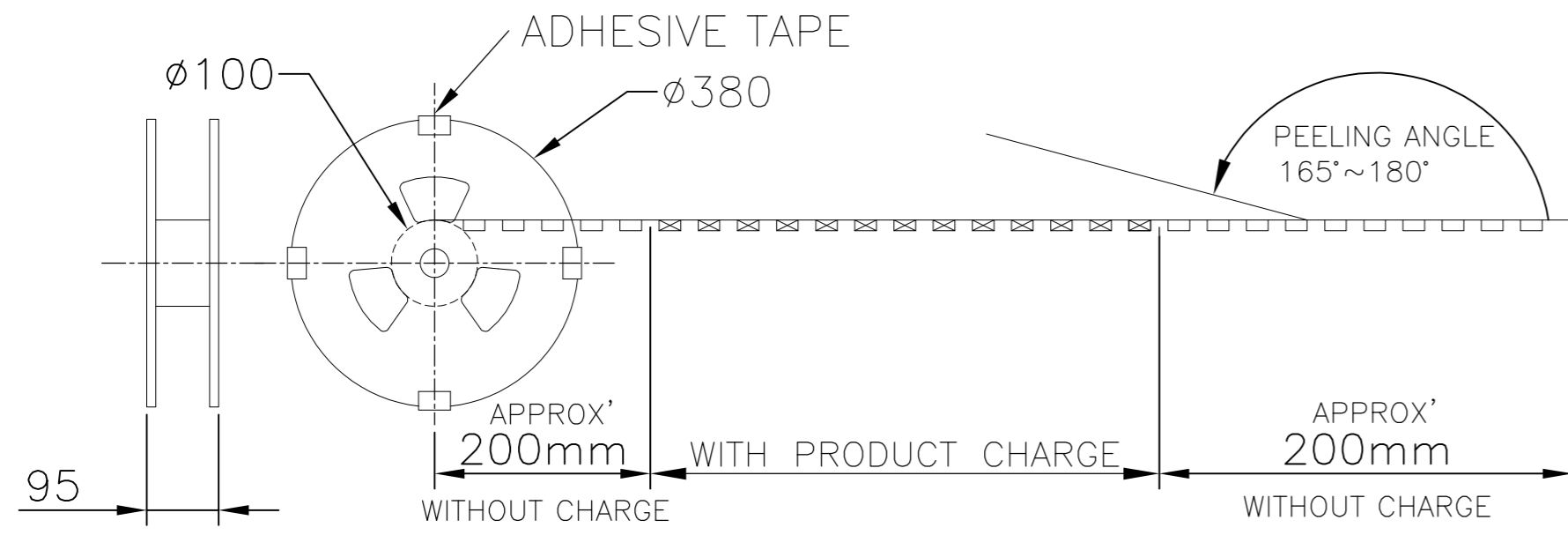


DETAIL:C
 SCALE 2:1

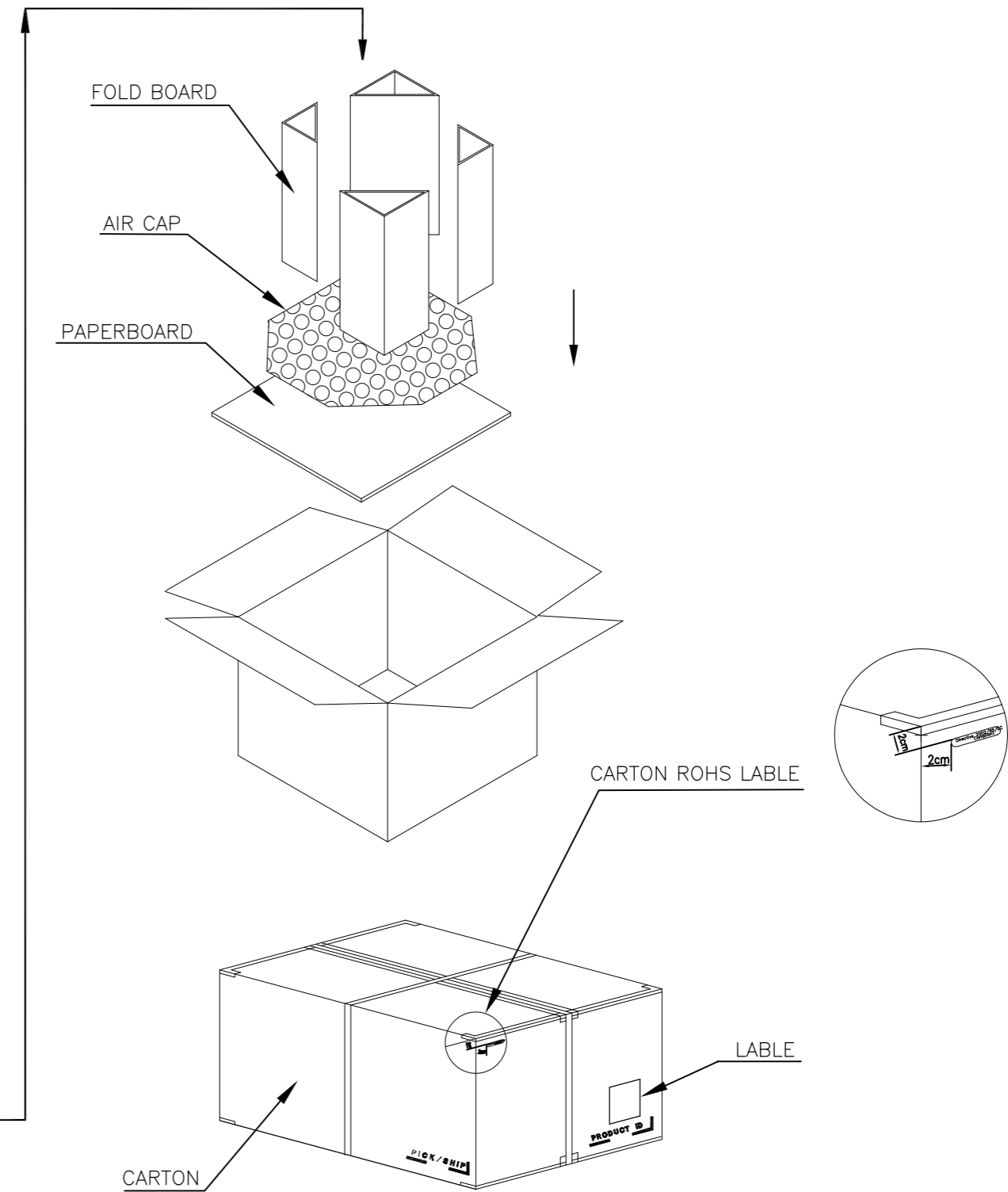
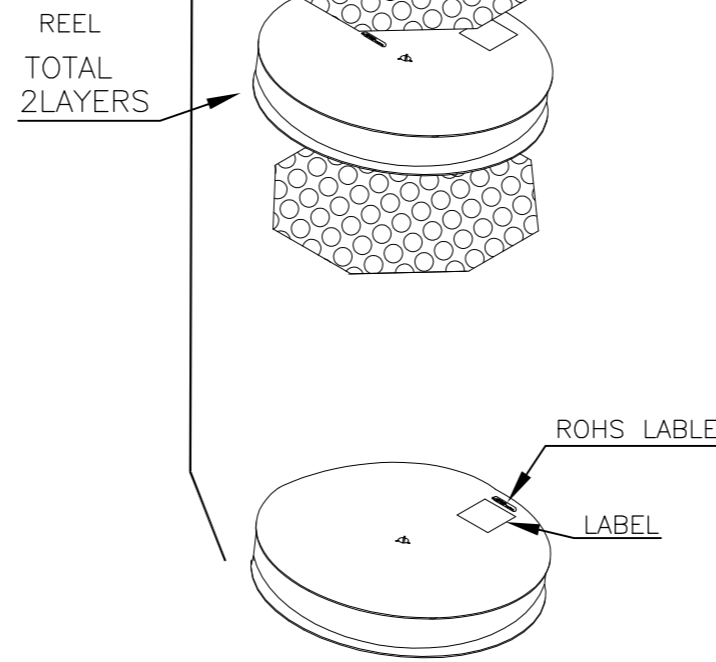
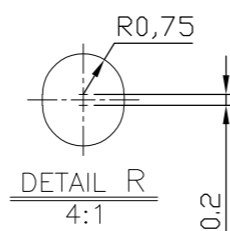
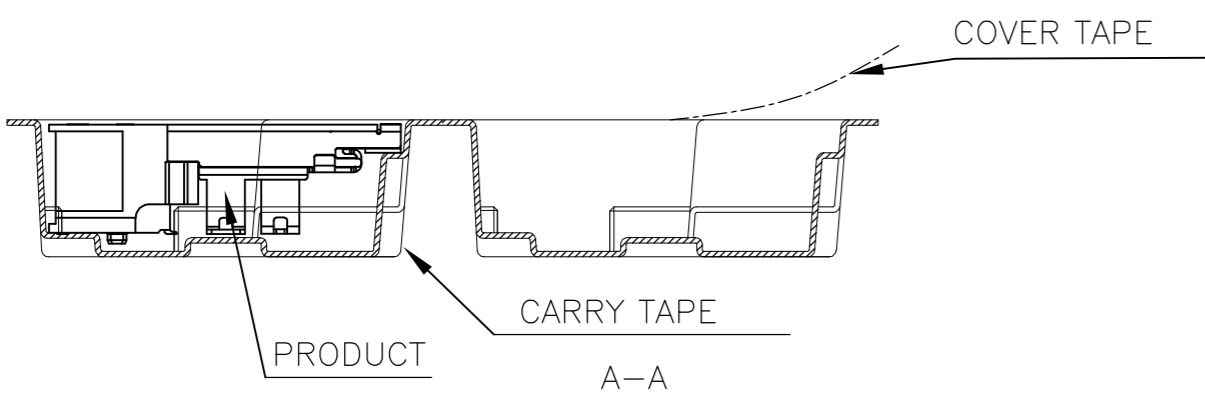
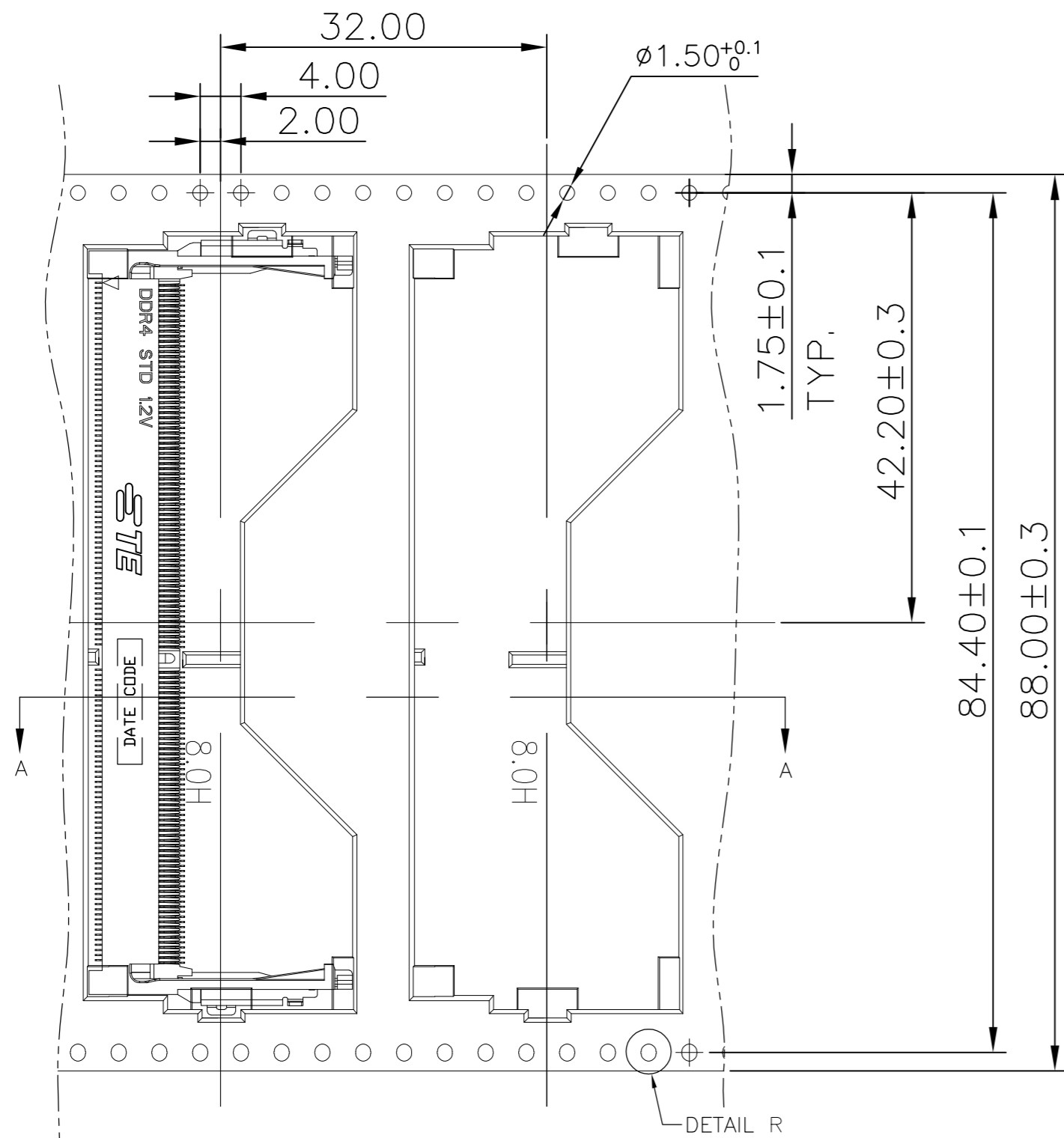
THIS DRAWING IS A CONTROLLED DOCUMENT.		DWN DAVID ZHAO 09SEP2016		
DIMENSIONS: mm		CHK RICHARD MA 09SEP2016		
TOLERANCES UNLESS OTHERWISE SPECIFIED:		APVD SIMON LI 09SEP2016	NAME	
0 PLC ±	1 PLC ±	PRODUCT SPEC	DDR4 SODIMM SOCKET	
2 PLC ±	3 PLC ±	APPLICATION SPEC	0.5mm PITCH 260POS	
4 PLC ±	ANGLES ±	WEIGHT	8.0mm HEIGHT STANDARD TYPE	
MATERIAL	FINISH	CUSTOMER DRAWING	SIZE A2	RESTRICTED TO
			CAGE CODE 00779	
			DRAWING NO. C=2309411	
			SCALE 1:1	SHEET 2 OF 3
			REV 3	

THIS DRAWING IS UNPUBLISHED. RELEASED FOR PUBLICATION
 © COPYRIGHT 2016 By TE connectivity ALL RIGHTS RESERVED.

REVISIONS					
P	LTR	DESCRIPTION	DATE	DWN	APVD
-	-		-	-	-



PULL OUT DIRECTION →



250	2	500	*-2309411-*
PCS/REEL	REEL/CARTON	PCS/CARTON	PART NUMBER

THIS DRAWING IS A CONTROLLED DOCUMENT.		DWN DAVID ZHAO 09SEP2016		
DIMENSIONS: mm		CHK RICHARD MA 09SEP2016		
TOLERANCES UNLESS OTHERWISE SPECIFIED:		APVD SIMON LI 09SEP2016	NAME	
0 PLC ±	1 PLC ± -	PRODUCT SPEC	DDR4 SODIMM SOCKET	
2 PLC ± -	3 PLC ± -	APPLICATION SPEC	0.5mm PITCH 260POS	
4 PLC ± -	ANGLES ± -	WEIGHT	SIZE A2	CAGE CODE 00779
MATERIAL	FINISH	CUSTOMER DRAWING	DRAWING NO. C=2309411	RESTRICTED TO -
			SCALE 1:1	SHEET 3 OF 3
			REV 3	