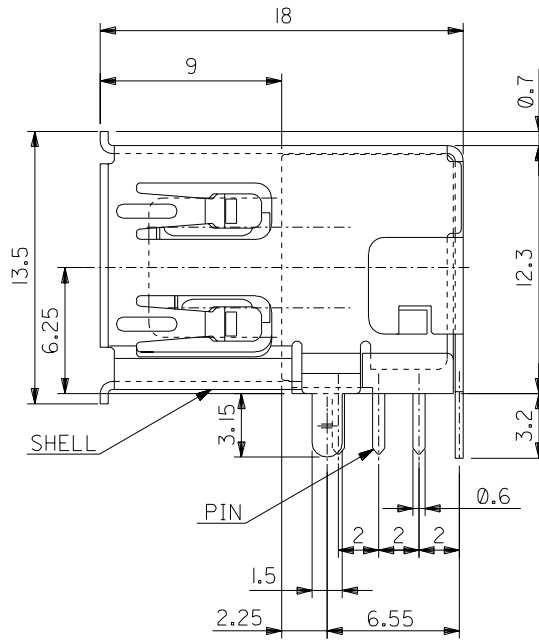
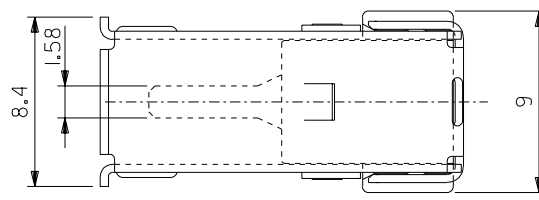
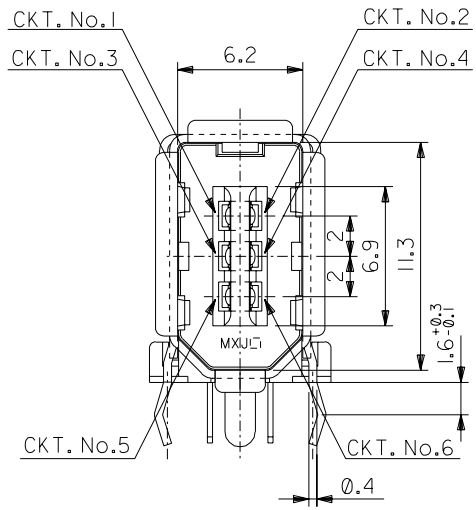
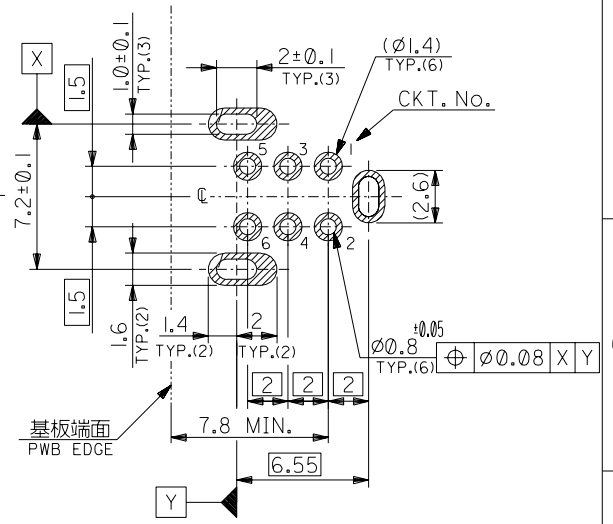
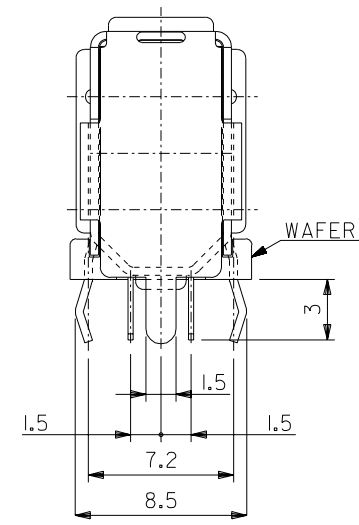


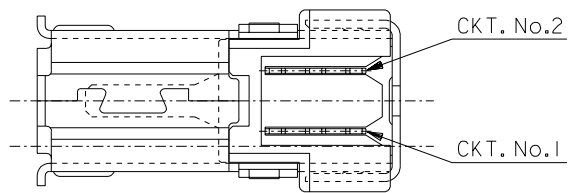
DWG. NO. SD-53460-019



| 部品名 PARTS NAME | 材質 MATERIAL | 注記 NOTES |
|-------------------|-----------------------------------|---|
| ウェハー WAFER | ガラス入り46ナイロン NYLON46 G.F. | G.F.30%, UL94V-0, 色:黒 G.F.30%, UL94V-0, COLOR:BLACK |
| ピン PIN | 黄銅 t0.25 BRASS t0.25 | 接点部:金メッキ 0.76 MICROMETER MIN. CONTACT AREA:GOLD 0.76 MICROMETER MIN. 半田付け部:錫メッキ 1.0 MICROMETER MIN. SOLDERTAIL AREA:TIN 1.0 MICROMETER MIN. 下地メッキ:ニッケルメッキ 2.0 MICROMETER MIN. UNDER-PLATING:NICKEL 2.0 MICROMETER MIN. |
| シェル SHELL | りん青銅 t0.4 PHOSPHOR BRONZE t0.4 | 錫メッキ:1.0 MICROMETER MIN. TIN:1.0 MICROMETER MIN. 下地メッキ:ニッケルメッキ 1.27 MICROMETER MIN. UNDER-PLATING:NICKEL 1.27 MICROMETER MIN. |

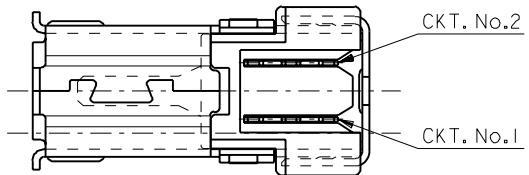
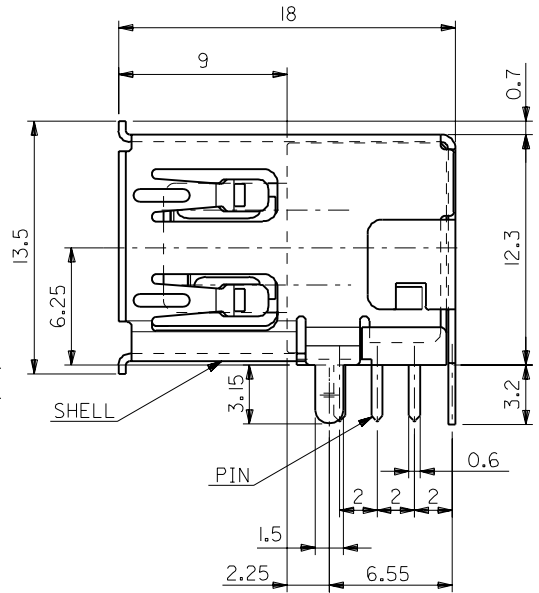
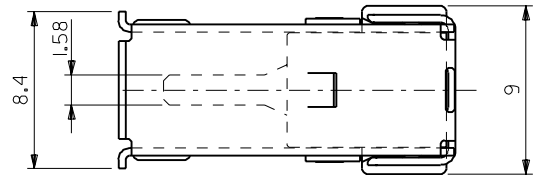
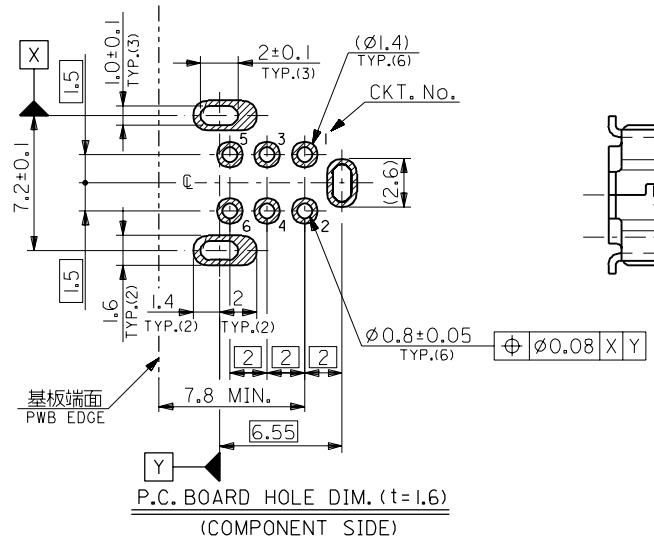
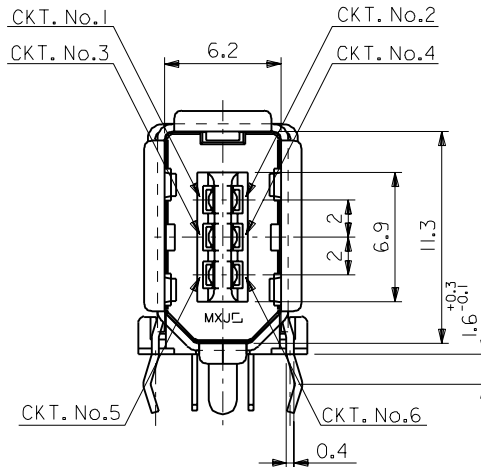


注記
NOTE
1. 本製品は 53460-0621,-0641の鉛フリー品である。
THIS PRODUCT IS LEAD FREE OF 53460-0621,-0641.

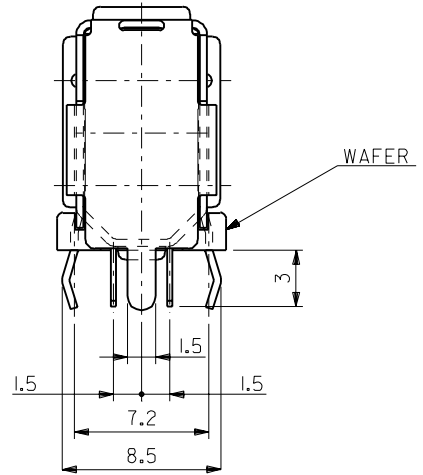


DO NOT SCALE DRAWING

| | | | | | | | | | | | | | | | | | | | | | |
|----------------------------------|----------------------------------|---|--|----------------------------------|--|------------------------------------|--|----------------------------|----------------------------------|---|--|--|---------------------------|------------|--------|--------------|--|---|-----------|-----|-----------------------|
| EC NO. DRWN: CHK: APPR: | EC NO. DRWN: CHK: APPR: | EC NO. DRWN: CHK: APPR: | EC NO. DRWN: CHK: APPR: | EC NO. DRWN: CHK: APPR: | RELEASED EC NO. J2004-4243 DRWN: Y.WADA '04/05/14 CHK: M.SASAO '04/05/14 APPR: M.SASAO '04/05/14 | MATERIAL 材料 表参照 SEE TABLE | FINISH 仕上げ 表参照 SEE TABLE | WIRE RANGE 適用電線範囲 // | INS. RANGE 被覆外径 // | GENERAL TOLERANCES: (UNLESS SPECIFIED) 一般公差 | SCALE 4:1 | MODEL NO. DESIGN UNITS THIRD ANGLE PROJECTION | 53460-***29 | 53460-0629 | 6 | MATERIAL NO. | CKT. | DIMENSIONS: <input type="checkbox"/> mm <input type="checkbox"/> INCH <input type="checkbox"/> mm ONLY | SHT | REV | REVISE ON CAD ONLY |
| 10 UNDER 未滿 | ±0.2 | DRAWN BY & DATE Y.WADA '04/05/14 | TITLE: 2.0 I/O CONN. SOCKET RIGHT-ANGLE UPRIGHT WITH KINK -LEAD FREE- | | MATERIAL NO. DRAWING NO. SHEET NO. | | MATERIAL NO. DRAWING NO. SHEET NO. | | CAD FILENAME SD-53460-019.S01 | | MATERIAL NO. DRAWING NO. SHEET NO. | | SEE CHART SD-53460-019 | | 1 OF 1 | | THIS DRAWING CONTAINS INFORMATION THAT IS PROPRIETARY TO MOLEX INCORPORATED AND SHOULD NOT BE USED WITHOUT WRITTEN PERMISSION. | | SIZE B | | |
| 10 OVER 以上 | 30 UNDER 未滿 | ±0.25 | CHECKED BY & DATE M.SASAO '04/05/14 | | MOLEX MOLEX INCORPORATED | | ANGLE 角度 | | ±3° | | | | | | | | | | | | |
| 30 OVER 以上 | ±0.3 | APPROVED BY & DATE M.SASAO '04/05/14 | | | | | | | | | | | | | | | | | | | |



| 部品名 PARTS NAME | 材質 MATERIAL | 注記 NOTES |
|-------------------|-----------------------------------|--|
| ウエハー WAFER | ガラス入り46ナイロン NYLON46 G.F. | G.F.30%, UL94V-0, 色:黒 G.F.30%, UL94V-0, COLOR: BLACK |
| ピン PIN | 黄銅 t0.25 BRASS t0.25 | 接点部: 金メッキ0.76µmMIN. CONTACT AREA: GOLD 0.76µmMIN. 半田付け部: 半田メッキ3µmMIN. SOLDERTAIL AREA: TIN-LEAD 3µmMIN. 下地メッキ: ニッケルメッキ2µmMIN. UNDER-PLATING: NICKEL 2µmMIN. |
| シェル SHELL | りん青銅 t0.4 PHOSPHOR BRONZE t0.4 | 半田メッキ: 3~6µm TIN-LEAD: 3~6µm 下地メッキ: ニッケルメッキ1.27µmMIN. UNDER-PLATING: NICKEL 1.27µmMIN. |



| 角度 ANGLE | 公差 | 記号 | 変更内容 | DR. DATE | DR. CHK. DATE | 材料 MATERIAL | 表参照 |
|----------------------|-------|----|-------------------------|----------|---------------|-------------------------------|-----------------------------|
| 30°以上 OVER | +3° | | | | | 表参照 | SEE TABLE |
| 10以上 OVER 30未満 UNDER | +0.25 | A | 変更 REVISIONED (JC80715) | 98/3/16 | | 仕上げ FINISH | 表参照 |
| 10未満 UNDER | +0.2 | O | 新規作成 RELEASED (JC80564) | 98/1/12 | | 適用電線範囲 WIRE RANGE | 表参照 |
| GENERAL TOLERANCES | | | | | | 被覆外径 INS. RANGE | 表参照 |
| | | | | | | DRAWN BY '98/1/12 T.NIISU | CHK'D BY '98/3/17 S.KUNISHI |
| | | | | | | APP'D BY '98/3/17 M.FUKUSHIMA | 尺度 SCALE 4:1 |

| | |
|--|-----|
| MOLEX-JAPAN CO.,LTD. 日本モレックス株式会社 | |
| REVISE ONLY ON CAD SYSTEM | |
| TITLE 名称 | |
| 2.0 I/O CONN. SOCKET RIGHT-ANGLE UPRIGHT WITH KINK | |
| DWG. NO. | REV |
| SD-53460-0621 | A |