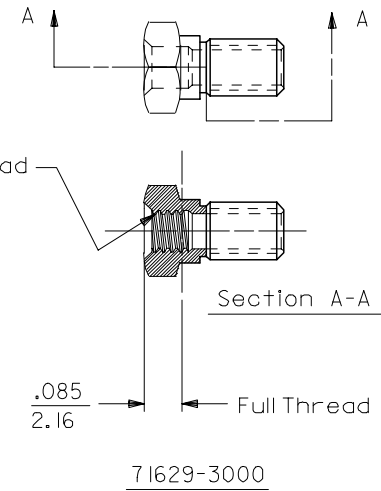
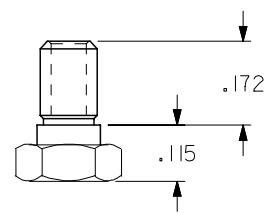
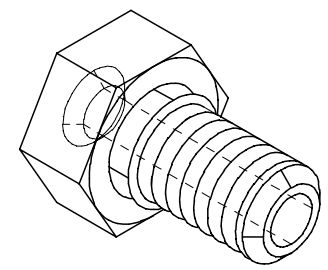
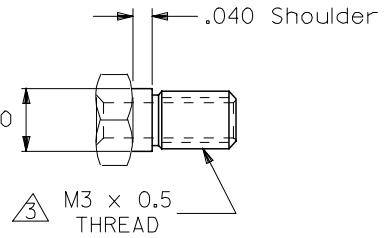
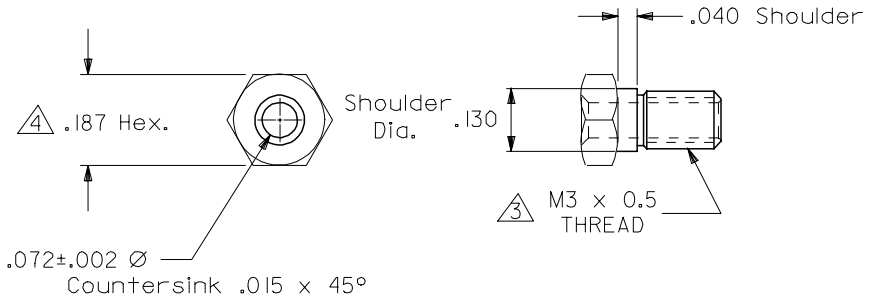
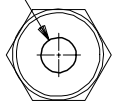


| ENGINEERING NO. | PART NO. | DESCRIPTION |
|-----------------|------------|---------------------|
| 71629-3000 | 71629-3000 | INTERNAL THREADS |
| 71629-4000 | 71629-4000 | LEAD-IN COUNTERSINK |



71629-4000:
Countersink .050 x 45°



- NOTES:
1. MATERIAL: COLD DRAWN STEEL.
 2. FINISH: NICKEL PLATED.
 3. MAXIMUM APPLIED BODY TORQUE: 5 IN-LBS.
 4. SOCKET SIZE: 3/16 IN.
 5. TO BE BULK PACKED IN A BAG WITH A QUANTITY OF 500 PARTS PER BAG

| | | | | | | |
|--|-----------------|---------------------------------------|--------------------------------------|---|----------------------------|------------------------|
| ADD NOTE 5 EC NO: UCP2008-0088 DRAWN BY: DRWNMSIBARRA 2007/07/26 CHECKED BY: CHKDPMORGAN 2007/08/06 APPR: SMILLER 2007/08/08 | QUALITY SYMBOLS | GENERAL TOLERANCES (UNLESS SPECIFIED) | DIMENSION STYLE INCH ONLY | SCALE 4:1 | DESIGN UNITS INCH | THIRD ANGLE PROJECTION |
| | ▽=0 | 4 PLACES ± --- ± --- | DRAWN BY: MOS DATE: 1993/03/11 | TITLE: GUIDE SLEEVE LFH CONNECTOR SYSTEM | | |
| | ▽=0 | 3 PLACES ± --- ± .010 | CHECKED BY: BIXLER DATE: 1993/03/11 | MOLEX INCORPORATED | | |
| | | 2 PLACES ± --- ± --- | APPROVED BY: BIXLER DATE: 1993/03/11 | MATERIAL NO. SEE TABLE | DOCUMENT NO. SDA-71629-*** | SHEET NO. 1 OF 1 |
| | | 1 PLACE ± --- ± --- | ANGULAR ±1/2° | THIS DRAWING CONTAINS INFORMATION THAT IS PROPRIETARY TO MOLEX INCORPORATED AND SHOULD NOT BE USED WITHOUT WRITTEN PERMISSION | | |