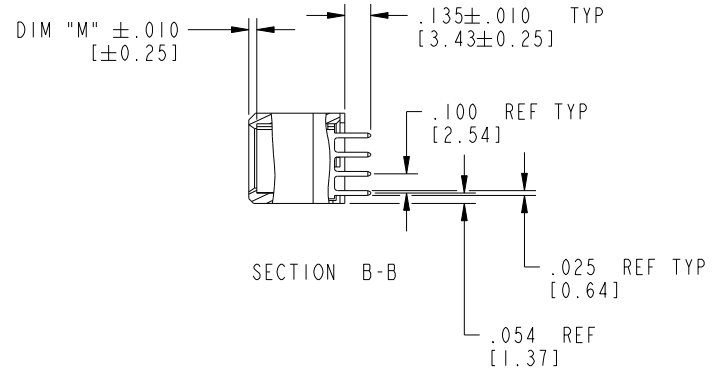
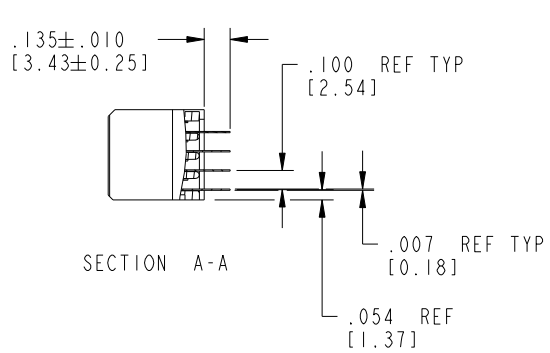


Tous droits strictement réservés. Reproduction ou communication a des tiers interdite sous quelque forme que ce soit sans autorisation écrite du propriétaire. Propriete de c FCI. Droits de reproduction FCI.

All rights strictly reserved. Reproduction or issue to third parties in any form whatever is not permitted without written authority from the proprietor. Property of FCI. Copyright FCI.



PRODUCT NUMBER
51754-002__
NOTE: 3



mat'l code		SEE NOTE 2		tolerances unless otherwise specified		CUSTOMER		 www.fciconnect.com	
ltr	ecn no.	dr	date	linear	.XX±.01/0.X±0.3	COPY		title	
C					.XX±.005/0.XX±0.13	projection		2P + 60S + 2P	
				angles	.XXX±.0020/0.XXX±0.051			VERTICAL SOLDER RECEPT	
					0°±2°			product family	
				dr	D. INGRAM 06/13/02	scale		PwrBlade	
				enrg	M. MOSTOLLER 06/13/02	1:1		code	
				chr	M. MOSTOLLER 06/12/02			213	
				appd	M. MOSTOLLER 06/12/02			sheet	
sheet index		revision sheet						A 51754-002	
								2	

cage code 28526

Pro/E

PDM: Rev: C

STATUS: Released

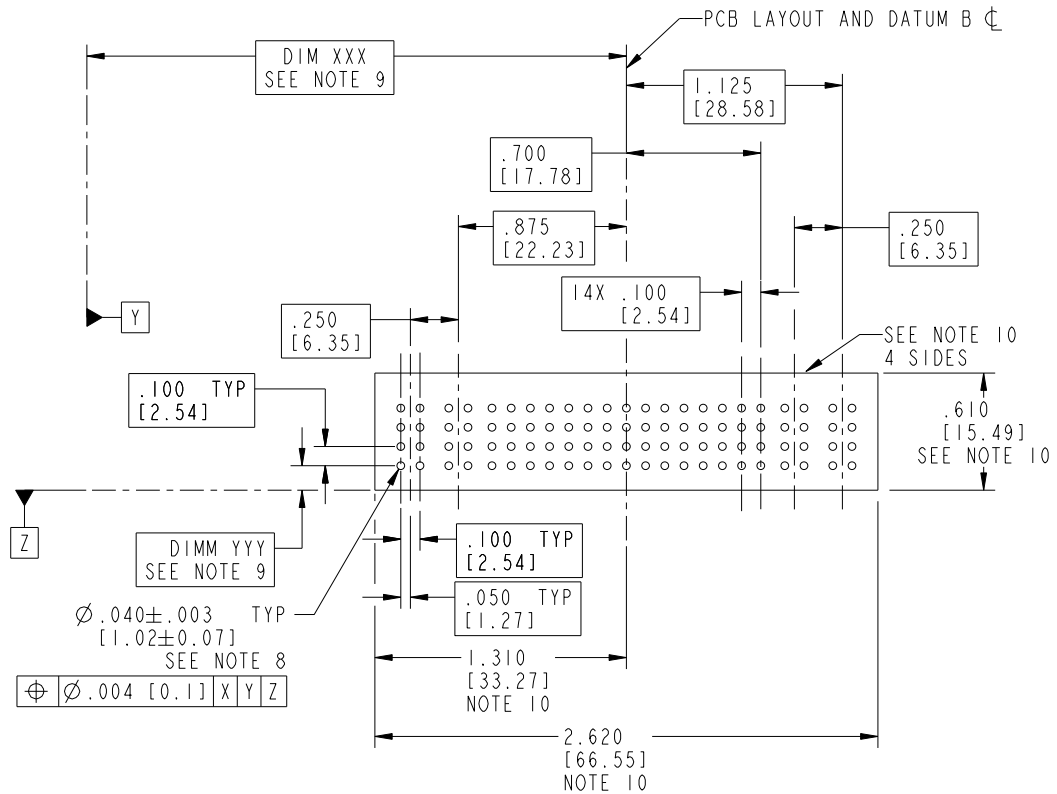
Printed: Dec 20, 2010

Tous droits strictement réservés. Reproduction ou communication a des tiers interdite sous quelque forme que ce soit sans autorisation écrite du propriétaire. Propriété de c FCI. Droits de reproduction FCI.



All rights strictly reserved. Reproduction or issue to third parties in any form whatever is not permitted without written authority from the proprietor. Property of FCI. Copyright FCI.

PRODUCT NUMBER
51754-002--
NOTE: 3



RECOMMENDED PCB LAYOUT

mat'l code		SEE NOTE 2		tolerances unless otherwise specified		CUSTOMER		FCI	
ltr	ecn no.	dr	date	linear	.XX±.01/0.X±0.3	COPY		www.fciconnect.com	
C				angles	.XXY±.005/0.XX±0.13 .XXX±.0020/0.XXX±0.051	projection		title	
				dr	0°±2°	INCH/MM		2P + 60S + 2P VERTICAL SOLDER RECEPT	
				enr	D. INGRAM 06/13/02	scale		product family	
				chr	M. MOSTOLLER 06/13/02	1:1		PwrBlade	
				appd	M. MOSTOLLER 06/12/02			code	
sheet index		revision sheet						size	
								dwg no	
								A 51754-002	
								sheet	
								3	

Pro/E

PDM: Rev: C

STATUS: Released

Printed: Dec 20, 2010

cage code 28536

Tous droits strictement réservés. Reproduction ou communication a des tiers interdite sous quelque forme que ce soit sans autorisation écrite du propriétaire. Propriété de c FCI. Droits de reproduction FCI.



All rights strictly reserved. Reproduction or issue to third parties in any form whatever is not permitted without written authority from the proprietor. Property of FCI. Copyright FCI.

1 | 2

3 |

4

PRODUCT NUMBER
51754-002__
NOTE: 3

NOTES:

1. DIMENSIONS AND TOLERANCES ARE IN ACCORDANCE WITH ASME Y14.5M, 1994 UNLESS OTHERWISE SPECIFIED.

CONNECTOR NOTES:

2. HOUSING MATERIAL: UL 94 V-0 GLASS FILLED HIGH-TEMP THERMOPLASTIC
POWER CONTACT MATERIAL: COPPER ALLOY
SIGNAL PIN MATERIAL: COPPER ALLOY

\triangle 3. SEE ITEM 5 & 6 IN PRINT 10064183 FOR PLATING SPEC OF 51754-002 AND 51754-002LF RESPECTIVELY.

4. MANUFACTURER'S NAME, P/N, AND DATE CODE TO APPEAR ON THIS SURFACE.

5. PRODUCT SPECIFICATION GS-12-149.

PCB NOTES:

6. ALL HOLE DIAMETERS ARE FINISHED HOLE SIZE.

7. MOUNTING HOLES, WHERE APPLICABLE, ARE UNPLATED.

8. $\varnothing .0453 \pm 0.0010$ [1.151 \pm 0.025] DRILLED HOLES PLATED WITH 0.0003 [0.008] MIN SnPb OVER .001 [0.03] TO .003 [0.08] Cu PLATING TO ACHIEVE $\varnothing .040 \pm .003$ [1.02 \pm .07] HOLE.

9. "DIM XXX" AND "DIM YYY" TO BE DETERMINED BY THE CUSTOMER.

10. CONNECTOR KEEP-OUT ZONE.

11. \triangle SYMBOL WILL BE NEXT TO ANY DIMENSION, VIEW, OR NOTE WHICH HAS BEEN MODIFIED WITH THE CURRENT DRAWING REVISION.

mat'l code		SEE NOTE 2		tolerances unless otherwise specified		CUSTOMER		FCI		www.fciconnect.com	
ltr	ecn no.	dr	date	linear	.XX \pm .01 / 0.X \pm 0.3	COPY		title			
C					.XXX \pm .005 / 0.XX \pm 0.13	projection		2P + 60S + 2P			
				angles	.XXX \pm .0020 / 0.XXX \pm 0.051			VERTICAL SOLDER RECEPT			
					0° \pm 2°	INCH/MM		product family		code	
				dr	D. INGRAM 06/13/02	scale		PwrBlade		213	
				enrg	M. MOSTOLLER 06/13/02	1:1		size		sheet	
				chr	M. MOSTOLLER 06/12/02			A		4	
				appd	M. MOSTOLLER 06/12/02			51754-002			
sheet index	revision sheet										

1 | 2

Pro/E

PDM: Rev: C

STATUS: Released

Printed: Dec 20, 2010

A

A

B

B

cage code 28516

4