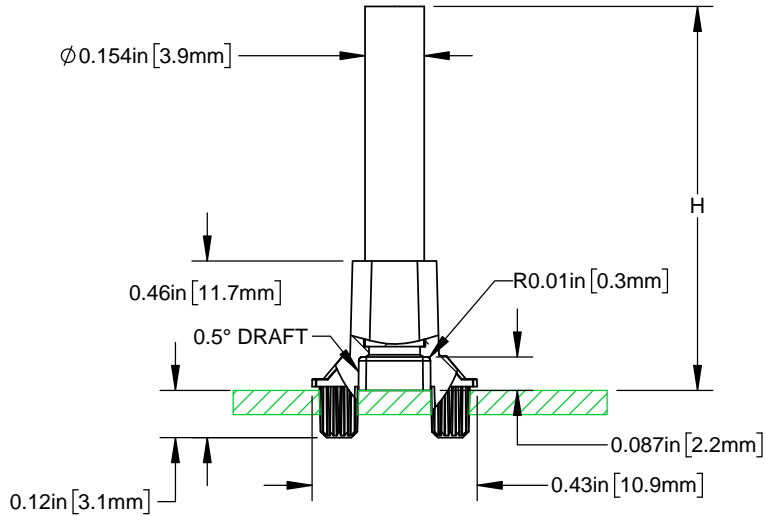
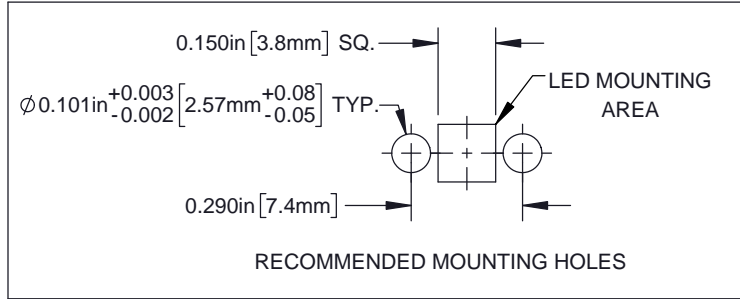
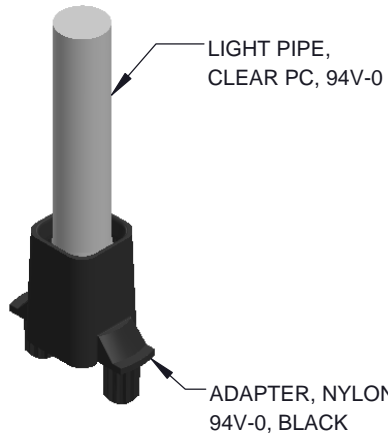
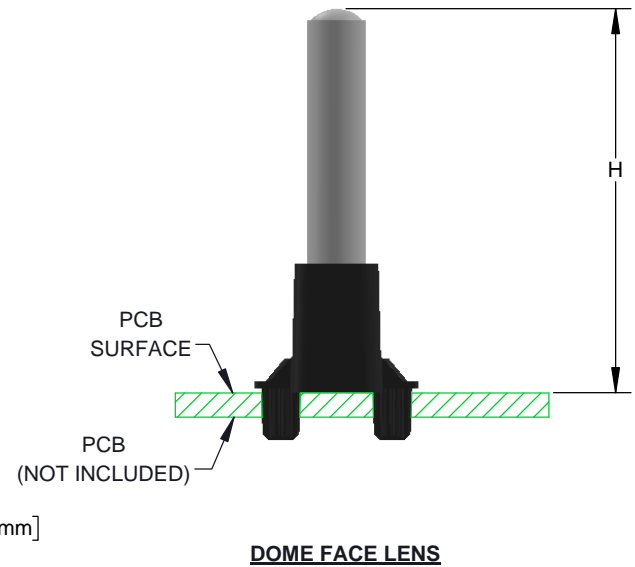
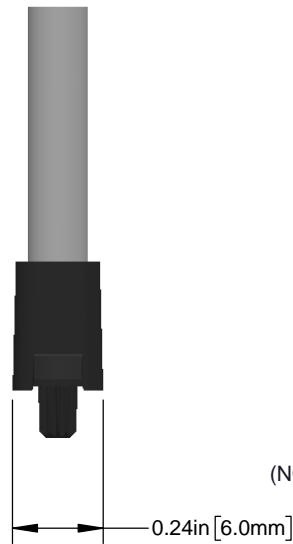
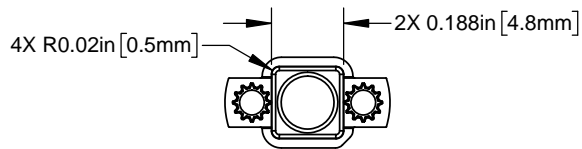


REVISIONS			
REV.	DESCRIPTION	DATE	APPROVED
A	Engineering Release	3/16/2018	M.C.



**FLAT FACE LENS**

DIMENSIONS ARE APPLICABLE TO BOTH LENS FACES UNLESS OTHERWISE NOTED



**DOME FACE LENS**

PART NUMBER CONFIGURATION  
(SEE PAGE 2, TABLES A & B)  
LPV4-XXXXXP  
LENS FACE  
HEIGHT, (H)

STANDARD TOLERANCE (UNLESS OTHERWISE SPECIFIED)		 4 THOMAS, IRVINE, CA. 92618 TEL: (949) 951-8808 FAX: (949) 951-3974	
DECIMALS	ANGULAR		
.X ± .1	X° ± 1°	<b>TITLE:</b> BIVAR LIGHT PIPE SYSTEM, VERTICAL, 4MM, SINGLE STATION	
.XX ± .01			
.XXX ± .005		<b>PART NO:</b> LPV4-XXXXXP	
DESIGNED: K. BARON	DATE: 03/16/18	<b>REVISION:</b> A	
REVISED: N/A	DATE: N/A	<b>CAGE CODE:</b> 32559	
CHECKED: TD. NGUYEN	DATE: 03/16/18	<b>SCALE:</b> 2:1 <b>SHEET # 1 OF 2</b>	
CAD GENERATED DOCUMENT, DO NOT MEASURE DRAWING			

REVISIONS			
REV.	DESCRIPTION	DATE	APPROVED
	See Sheet 1		

**STANDARD ORDERING INFORMATION**

TABLE A - FLAT FACE LENS	
PART NO.	H ±.01
LPV4-0350FP	0.350 [8.9mm]
LPV4-0400FP	0.400 [10.2mm]
LPV4-0450FP	0.450 [11.4mm]
LPV4-0500FP	0.500 [12.7mm]
LPV4-0550FP	0.550 [14.0mm]
LPV4-0600FP	0.600 [15.2mm]
LPV4-0750FP	0.750 [19.1mm]
LPV4-1000FP	1.000 [25.4mm]
LPV4-1250FP	1.250 [31.8mm]
LPV4-1500FP	1.500 [38.1mm]
LPV4-1750FP	1.750 [44.5mm]
LPV4-2000FP	2.000 [50.8mm]

TABLE B - DOME FACE LENS	
PART NO.	H ±.01
LPV4-0350DP	0.350 [8.9mm]
LPV4-0400DP	0.400 [10.2mm]
LPV4-0450DP	0.450 [11.4mm]
LPV4-0500DP	0.500 [12.7mm]
LPV4-0550DP	0.550 [14.0mm]
LPV4-0600DP	0.600 [15.2mm]
LPV4-0750DP	0.750 [19.1mm]
LPV4-1000DP	1.000 [25.4mm]
LPV4-1250DP	1.250 [31.8mm]
LPV4-1500DP	1.500 [38.1mm]
LPV4-1750DP	1.750 [44.5mm]
LPV4-2000DP	2.000 [50.8mm]

<b>BIVAR</b> <sup>®</sup>		REVISION:
PART NO: LPV4-XXXXXP		A
SCALE: N/A	SHEET # 2 OF 2	
CAD GENERATED DOCUMENT, DO NOT MEASURE DRAWING		