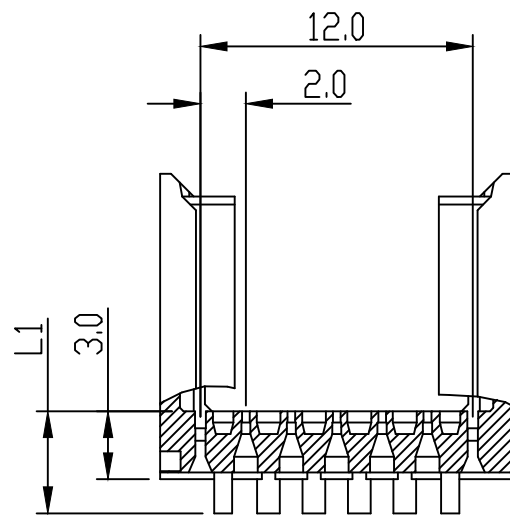
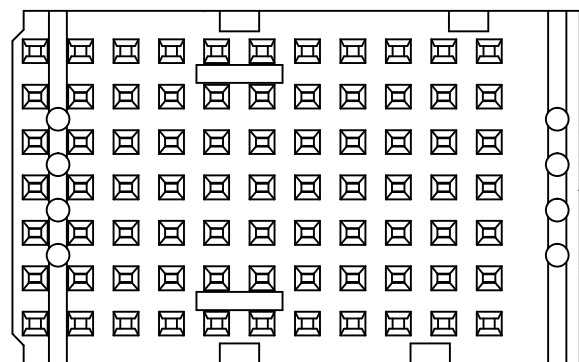


SECTION B-B  
SCALE 3:1



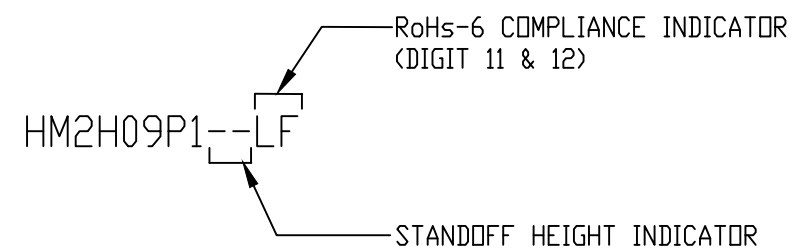
SECTION C-C



ABRIDGED  
CAT No  
MARKED

NOTES:

1. MEASURED AT THE BOTTOM
2. MATERIAL : GLASS REINFORCED POLYESTER UL94-V0
3. THIS PRODUCT MEETS EUROPEAN UNION DIRECTIVES AND OTHER COUNTRY REGULATIONS AS DESCRIBED IN GS-47-0004
4. PARTS WITH AND WITHOUT SUFFIX LF TO THE PRODUCT PART NUMBER ARE IDENTICAL IN FORM , FIT AND FUNCTION LF SUFFIX IS ADDED TO THE PART NUMBER OF THIS PRODUCT TO HAVE UNIFORM IDENTIFICATION OF ALL RoHs COMPATIBLE PRODUCTS



CAT. NO.	L1	L2	
HM2H09P1LF	3.0	13.45	AVAILABLE
HM2H09P109LF	3.9	14.35	AVAILABLE
HM2H09P111LF	4.1	14.55	AVAILABLE
HM2H09P113LF	4.3	14.75	AVAILABLE
HM2H09P115LF	4.5	14.95	AVAILABLE
HM2H09P117LF	4.7	15.15	AVAILABLE
HM2H09P119LF	4.9	15.35	AVAILABLE
HM2H09P122LF	5.2	15.65	AVAILABLE
HM2H09P130LF	6.0	16.45	AVAILABLE

mat'l. code				surface ISO 1302 ✓		tolerance ISO 406 ISO 1101		projection		product family MILLIPACS					
litr				ecn no		dr		date		tolerances unless otherwise specified		title			
B				105-0241		AB		2005-11-22		angles		MM		MPACS 5+2 ROW SHROUD STR HDR (TYPE-C) (11 POS)	
C				106-0091		AB		2006-06-26		linear		← MM →			
D				106-0096		VV		2006-07-04		0°±1°		scale -			
E				ELX-I-18259		AKA		2014-07-09		dr		ALEX BABU 2008-12-16		dwg no sheet 1 of 1 size	
										enr		ALEX BABU 2008-12-16		5 BS, C ,201630, 031 A3	
										chr		BIJU K PAUL 2008-12-16			
										appd		BIJU K PAUL 2008-12-16		type Product Customer Drawing	
sheet index		revision sheet		E		1									