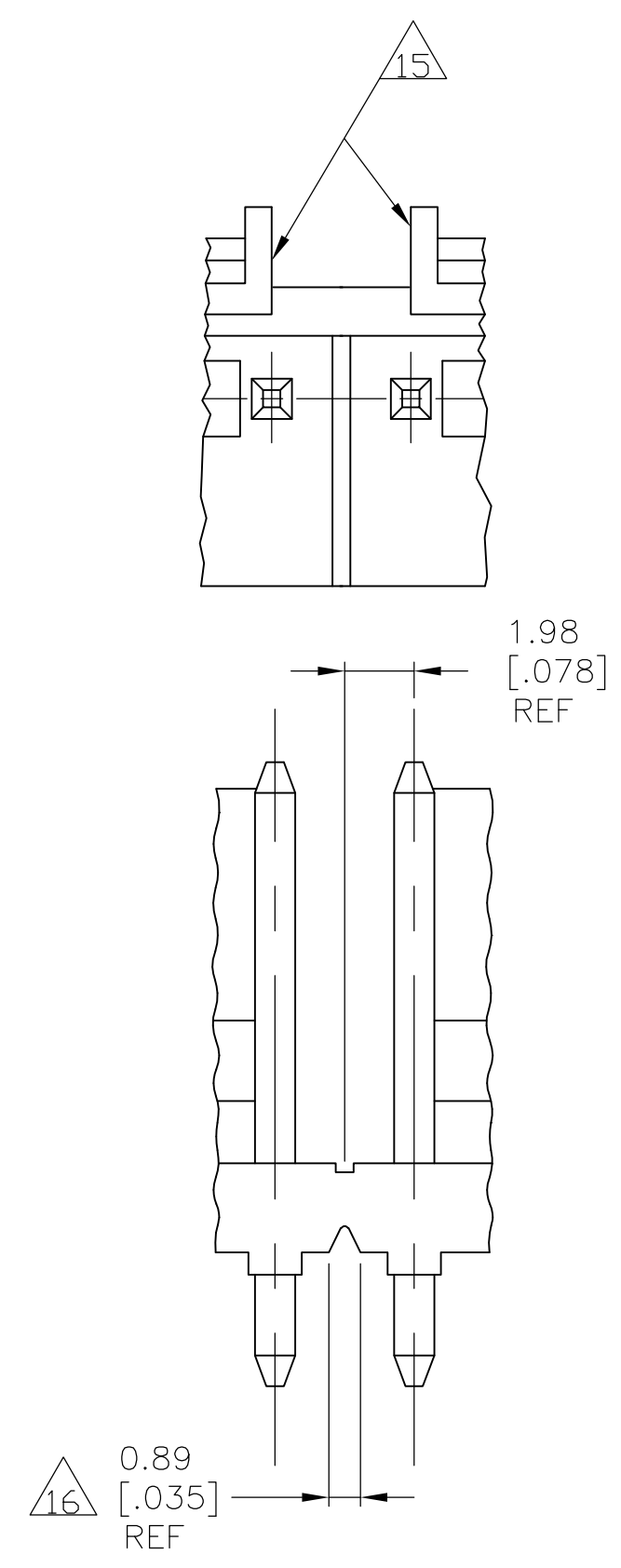
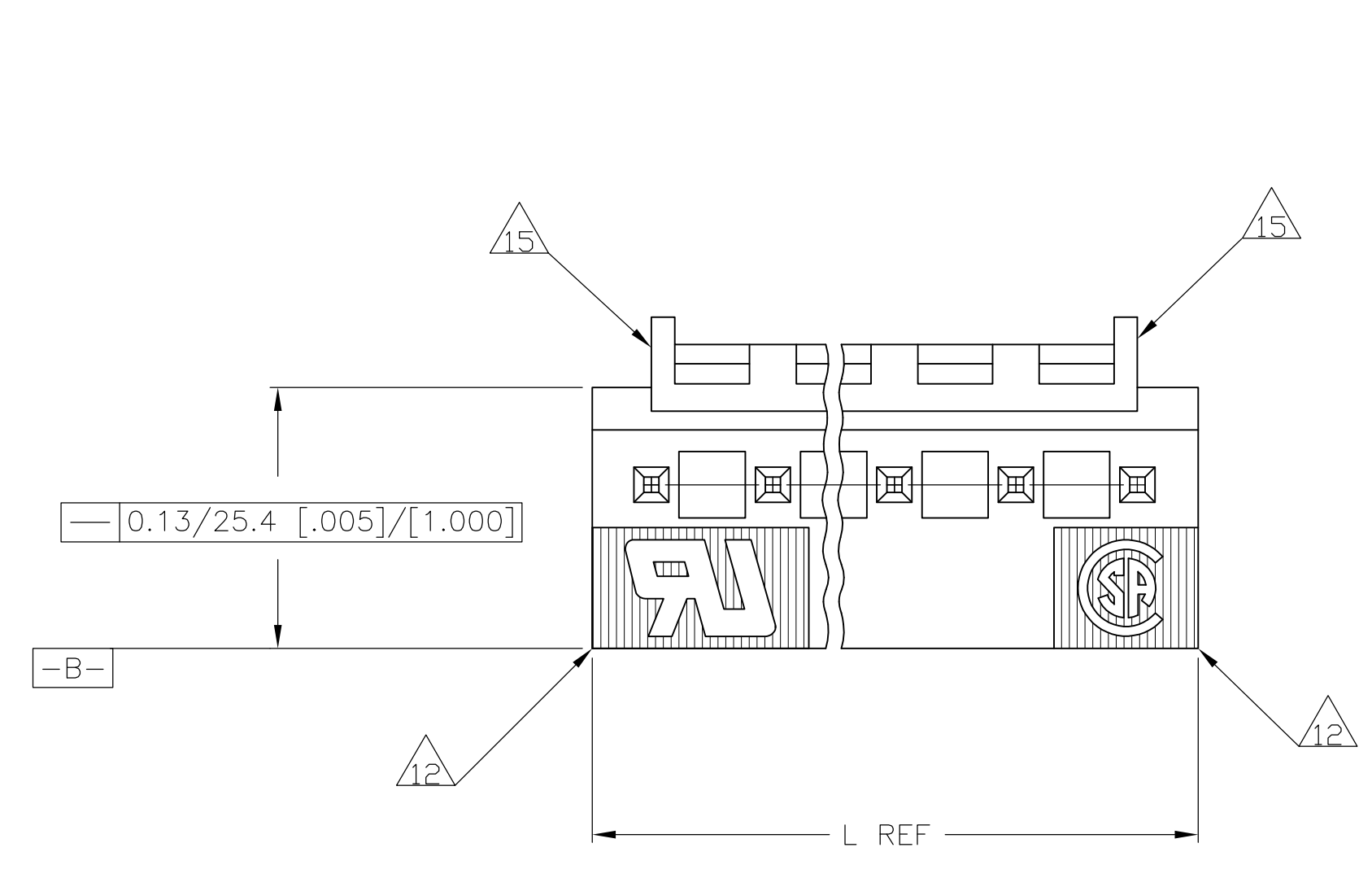
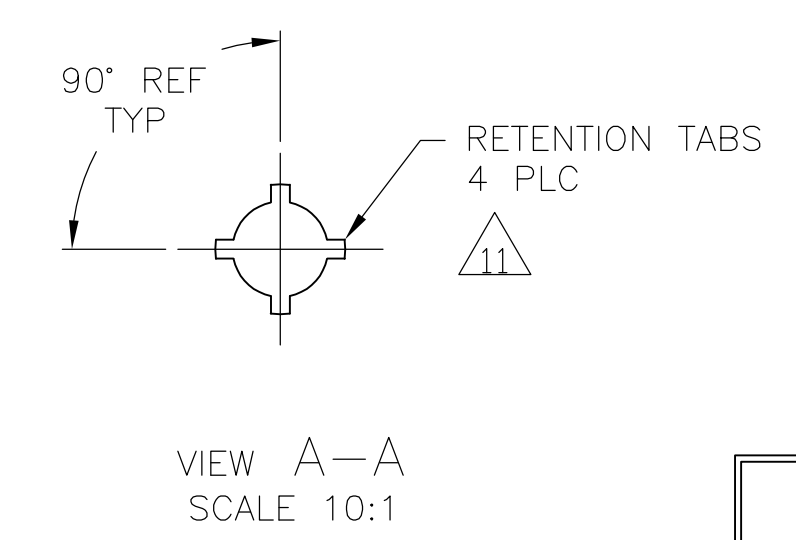
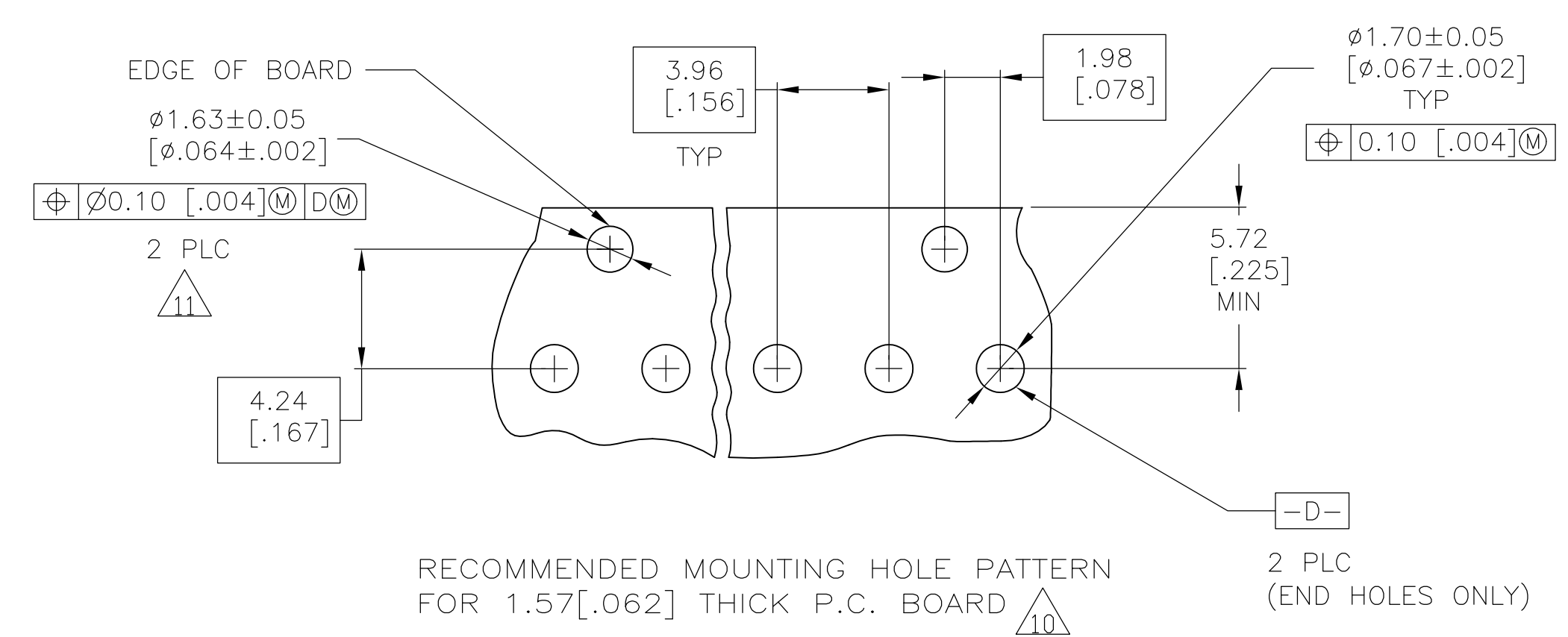
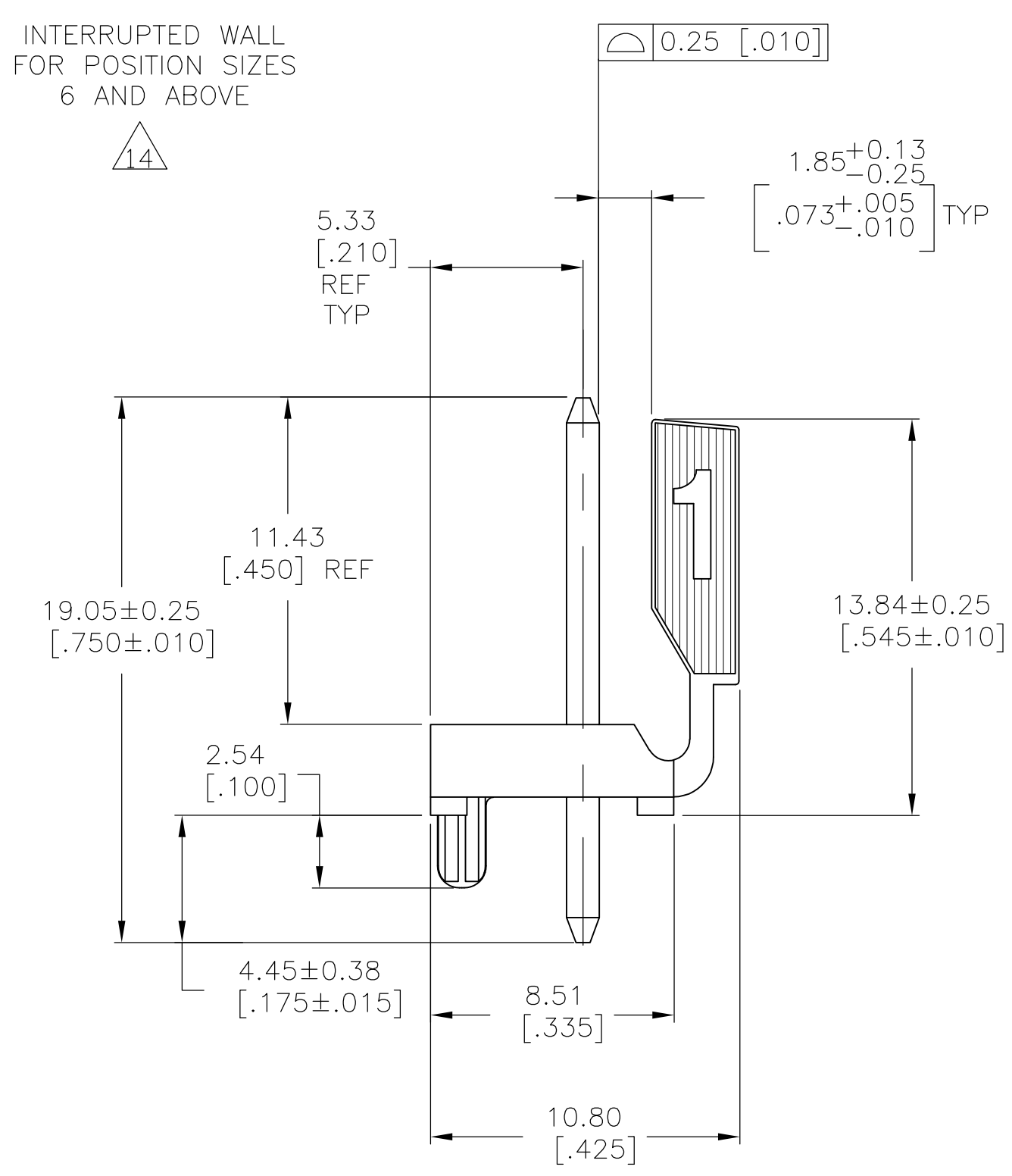
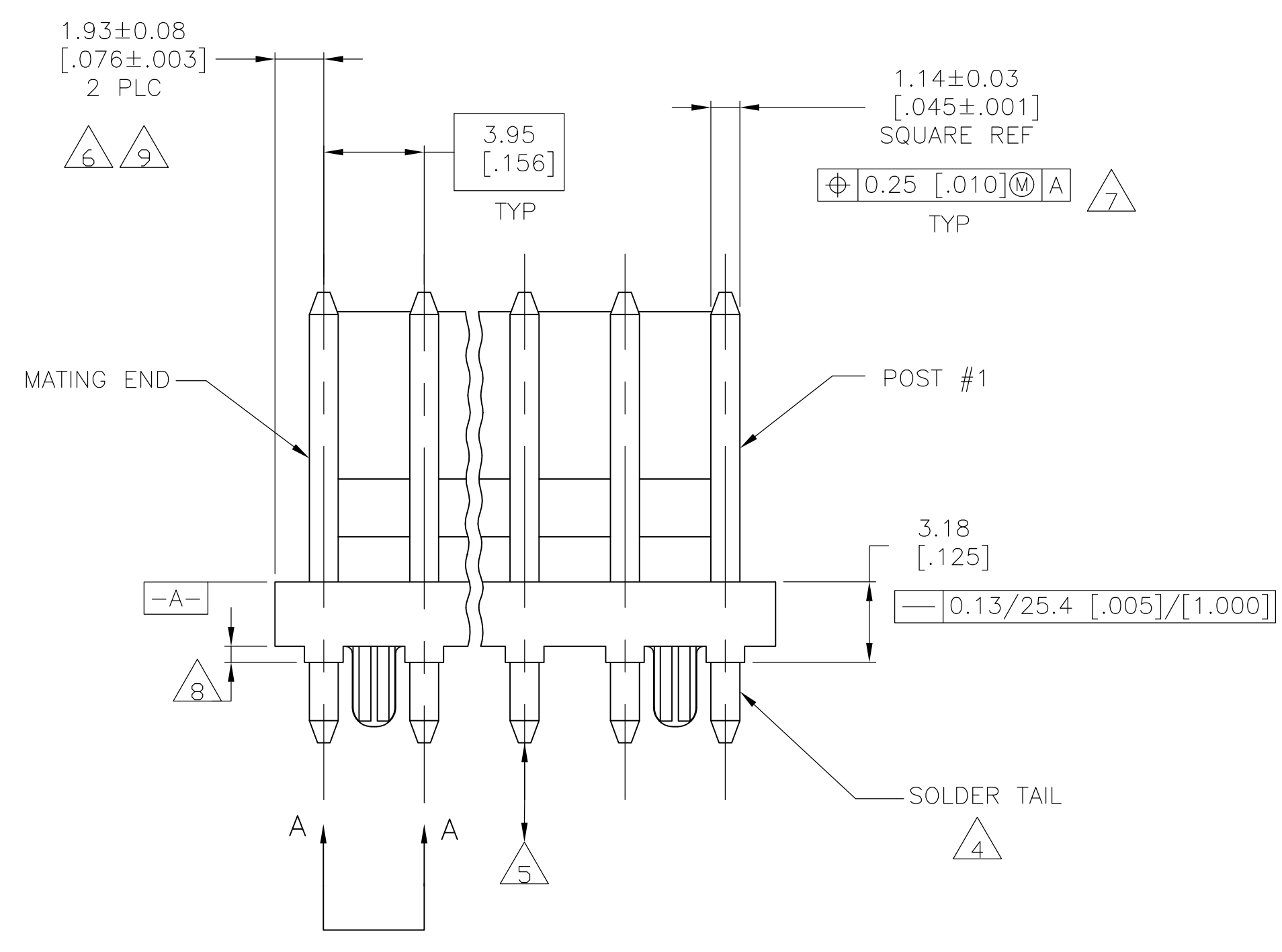


LOC		DIST		REVISIONS			
P	LTR	DATE	DMN	APVD			
B		24AUG10	DH	DY	REVISED PER ECO-10-016416		



INTERRUPTED WALL FOR POSITION SIZES 6 AND ABOVE



- 1 MATERIAL
HOUSING: THERMOPLASTIC POLYESTER, GLASS FILLED, UL94V-O.
POST: COPPER ALLOY
- 2 -
- 3 -
- 4 POST SOLDER TAILS COMPLY WITH AMP SOLDERABILITY SPEC 109-11-2.
- 5 POST WITHSTANDS 13.34N (3 LB) MIN AXIAL FORCE IN EITHER DIRECTION WITHOUT DISLODGING.
- 6 APPLIES AT -A-.
- 7 APPLIES WHEN THE HEADER IS STRAIGHT.
- 8 PLASTIC PROJECTIONS PERMITTED IN THIS ZONE.
- 9 COORDINATE DIMENSIONS APPLIES FROM THE CENTER OF THE ACTUAL FEATURE.
- 10 SOLDER SIDE OF BOARD IS SHOWN.
- 11 THE RETENTION TABS PROVIDE A ONE-TIME INTERFERENCE FIT IN THE 1.63 [0.064] DIAMETER BOARD HOLE FOR HEADER ASSEMBLY RETENTION DURING SOLDERING. FOUR TABS PER PEG, TWO PEGS PER HEADER ASSEMBLY (ONE PEG ONLY FOR 2 POSITION SIZE).
- 12 UL MARKING MAY NOT APPEAR ON THE 2 OR 3 POSITION SIZES. CSA MARKING IS OPTIONAL ON THE 2 POSITION SIZE.
- 13 DIMENSIONS IN BRACKETS ARE IN INCHES.
- 14 ALL POSITION SIZES HAVE THE BACKWALL NOTCHED ON BOTH ENDS AS SHOWN. THE 2 THRU 5 POSITION SIZES HAVE SOLID BACKWALLS. POSITION SIZES 6 AND ABOVE HAVE AN INTERRUPTED BACKWALL AT VARIOUS LOCATIONS (SEE TABLE FOR INTERRUPTION(S) LOCATIONS).
- 15 EDGE OF POLARIZING LOCK WALL TO BE IN LINE WITH CENTERLINE OF ADJACENT POST WITHIN ±0.13 [0.005].
- 16 NOTCH SHOWN MAY OR MAY NOT APPEAR.
- 17 FINISH
HOUSING: NATURAL
POST: MATTE TIN PLATE, .000150" MIN THICK OVER NICKEL.

17	NONE	7.80 [0.307]	2	1744384-2
FINISH	BACKWALL INTERRUPTION(S) BETWEEN POST	L	NO. OF CIRCUITS	PART NUMBER

THIS DRAWING IS A CONTROLLED DOCUMENT.		DIN D HUMBERT 18JUNE2010	Tyco Electronics Corporation
DIMENSIONS: mm [INCHES]		CIK D YI 18JUNE2010	Harrisburg, Pa 17105-3608
TOLERANCES UNLESS OTHERWISE SPECIFIED:		APVD D YI 18JUNE2010	NAME
0 PLC	± -	MTA-156 HEADER ASSEMBLY, POLARIZED LOCK, STRAIGHT .045 SQUARE POST, TIN OR TIN-LEAD PLATED W/RETENTION PEGS	
1 PLC	± -	APPLICATION SPEC	
2 PLC	± -	SIZE CAGE CODE DRAWING NO	
3 PLC	± -	WEIGHT	
4 PLC	± -	A1 00779 C=1744384	
ANGLES	± -	CUSTOMER DRAWING	
MATERIAL	FINISH	SCALE 5:1 SHEET 1 OF 1 REV B	

