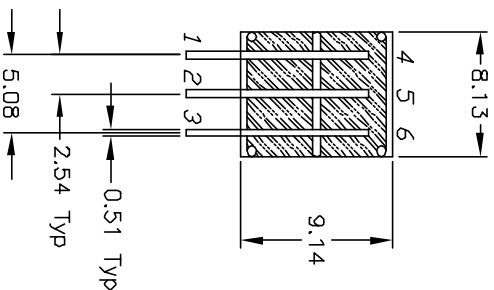
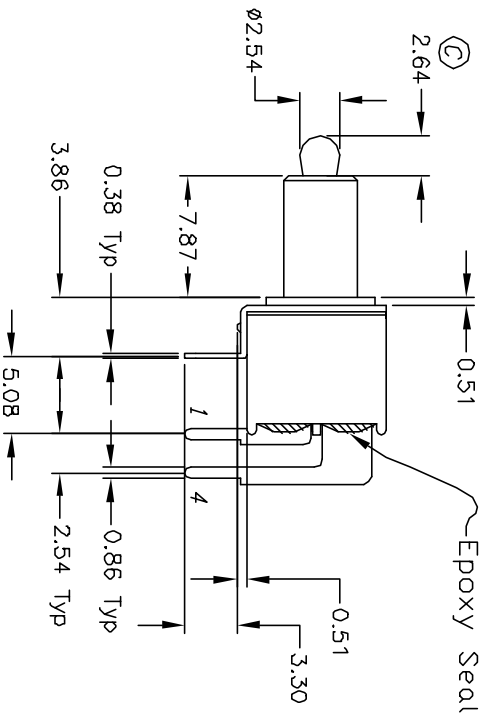
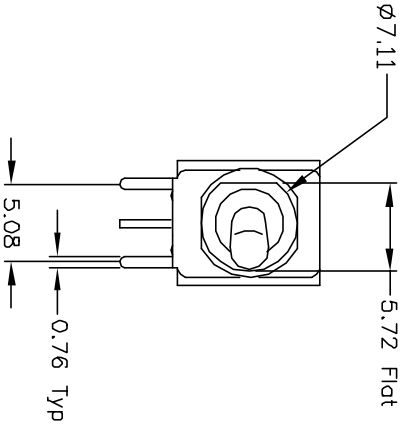
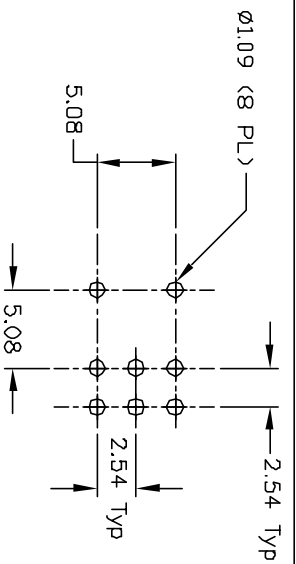
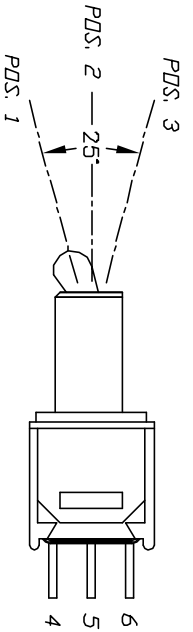


CONTACT CONFIGURATION

| SWITCH FUNCTION | | |
|-----------------|--------|----------|
| POS. 1 | POS. 2 | POS. 3 |
| DN | OFF | DN |
| 2-3, 5-6 | OPEN | 2-1, 5-4 |



NOTES:

1. ALL DIMENSIONS IN MM
2. GENERAL TOLERANCE: X.XX=±0.4 X.XX=±0.25
3. TERM. NOS. FOR REF. ONLY
4. CONTACT RATING: 3A @120VAC OR 28VDC, 1A @250VAC
5. FIXED TERMINAL & MOVING CONTACT: Cu alloy w/ Au plate
6. ELECTRIC LIFE: 30,000 make-and-break cycles at full load.
7. INSULATION RESISTANCE: 1,000 M ohm min.
8. DIELECTRIC STRENGTH: 1,000 V RMS @sea level.
9. OPERATING TEMP.: -30°C to 85°C

| | | | | |
|------|---------|------------------|---------|------|
| C | 11407 | REVISED ACTUATOR | 4/13/01 | CJB |
| REV. | ECN No. | DESCRIPTION | DATE | CHKD |

| | | | | | | | |
|------------------------|--|-------|--|---------|-----|---------|-----|
| TITLE | | SCALE | | DATE | DR | DWG | REV |
| 200 MDP-3 T2 B6 M6 Q E | | 2:1 | | 3/29/01 | CJB | T221029 | C |

E-SWITCH®

THE INFORMATION CONTAINED IN THIS DOCUMENT IS PROPRIETARY TO E-SWITCH AND IS NOT TO BE COPIED OR TRANSMITTED