

LOC		DIST		REVISIONS			
GP	00	P	LTR	DESCRIPTION	DATE	DWN	APVD
		A		NEW RELEASE	09JUL2007	RG	PD

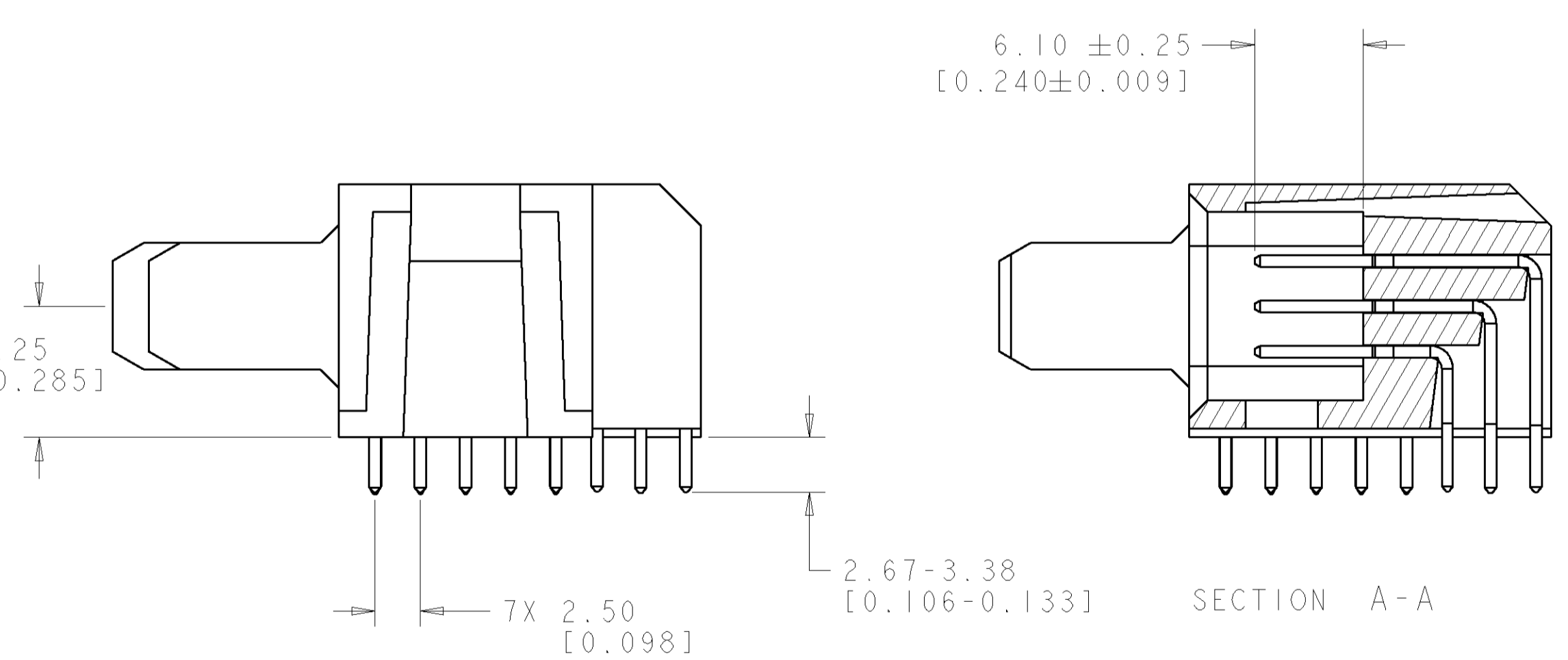
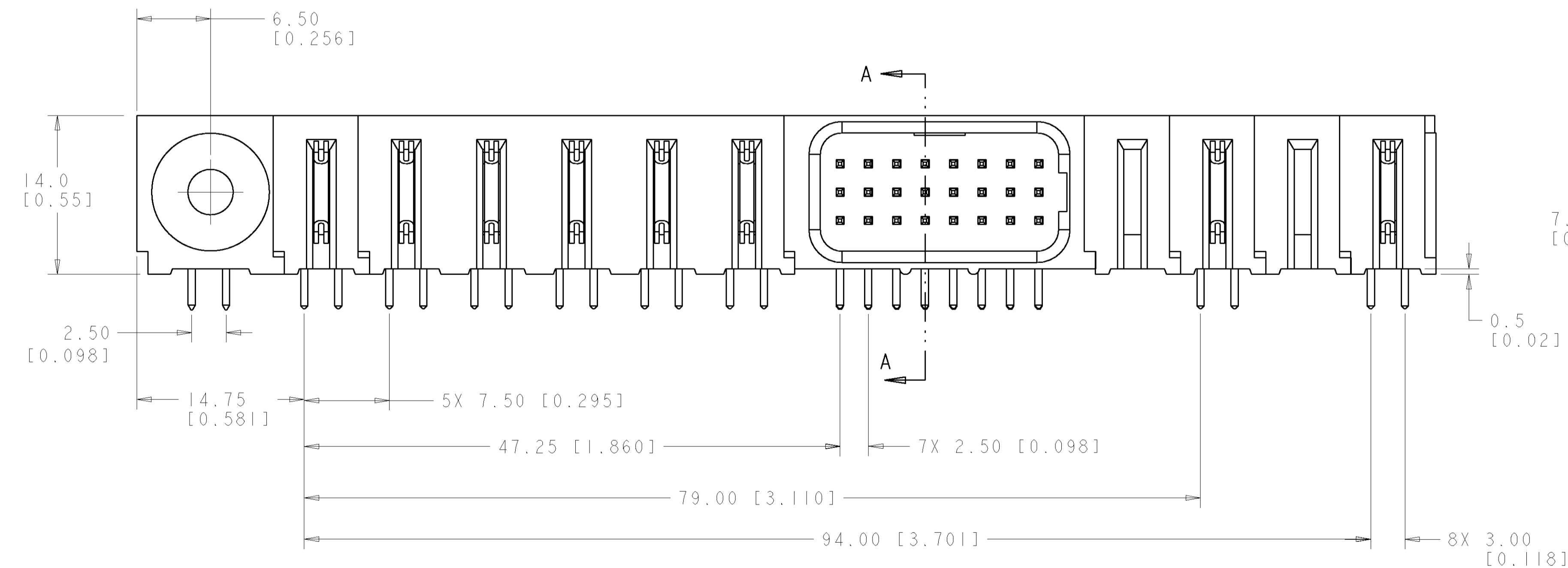
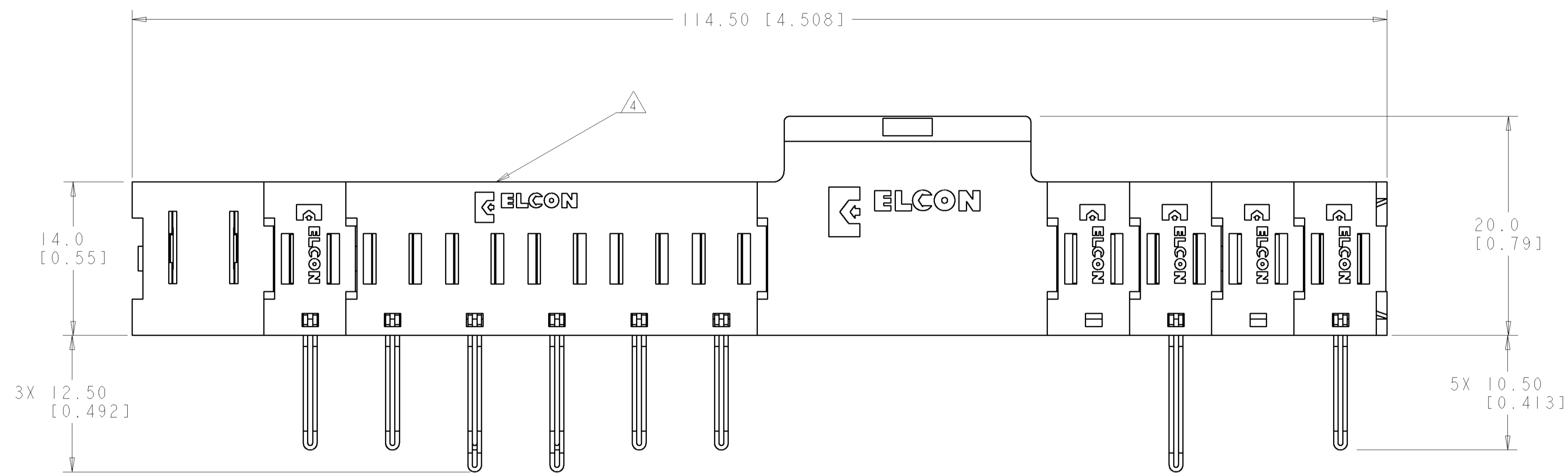
1. PART NUMBER CHANGES AND OR DESIGN CHANGES AFFECTING ITEM INTERCHANGEABILITY REQUIRE PRIOR TYCO ELECTRONICS APPROVAL AND AUTHORIZATION BY REVISION TO THIS DRAWING.

2. MATERIAL:
 INSULATORS - THERMOPLASTIC, GLASS REINFORCED, COLOR: BLACK, UL94V-0 FLAMMABILITY RATED.
 SIGNAL CONTACTS: PHOSPHOR BRONZE ALLOY
 POWER CONTACTS - PHOSPHOR BRONZE ALLOY, COPPER ALLOY
 CROWN BANDS: BERYLLIUM COPPER ALLOY

3. FINISH:
 CONTACTS - GOLD PLATE 0.76µm MIN. THK., OVER NICKEL 1.27µm MIN. THK.
 SOLDER TAILS, TIN 3.05µm MIN. THK. OVER NICKEL 1.27µm MIN. THK.

△ ITEMS PROVIDED TO THIS SPECIFICATION TO BE PERMANENTLY IDENTIFIED PER THE FOLLOWING IDENTIFIER LABEL

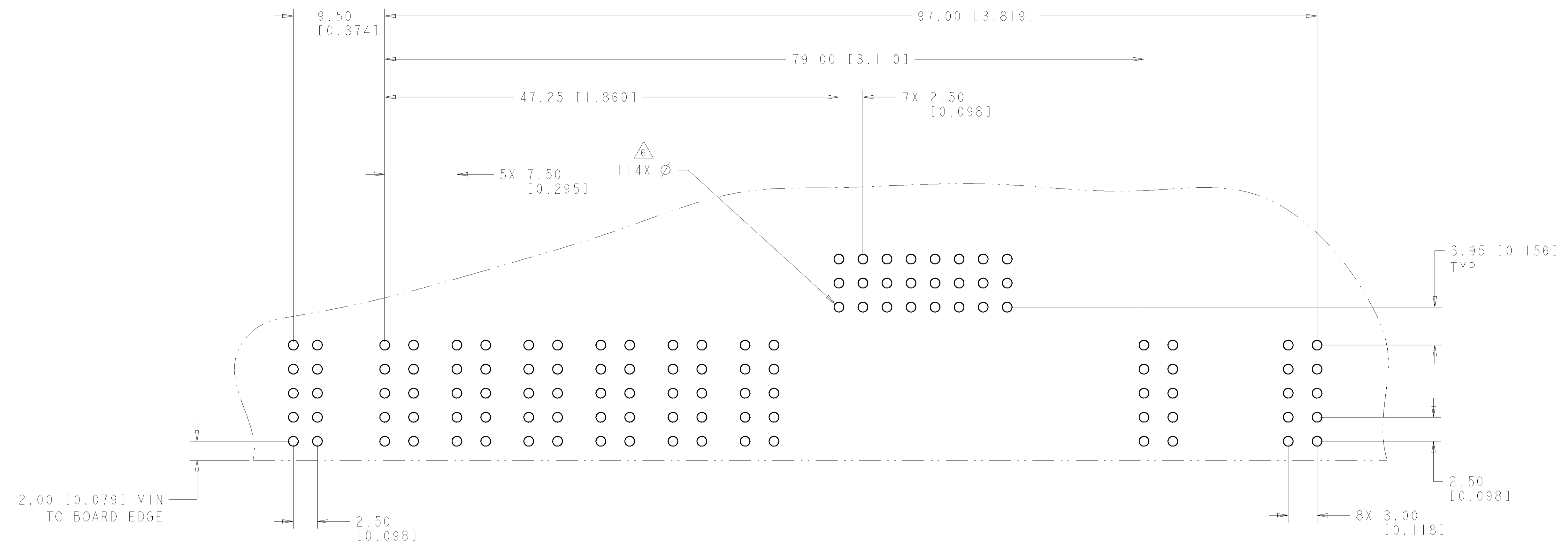
TYCO ELECTRONICS P/N DATE CODE YEAR WEEK
 XXXXXXXX-X XXXX (e.g. 0T06)



ELCON FLATPAQ

DIMENSIONS:		TOLERANCES UNLESS OTHERWISE SPECIFIED:		DWN		09JULY07		Tyco Electronics	
mm [INCHES]		0 PLC ±		R. GRZYBOWSKI		09JULY07		Tyco Electronics	
		1 PLC ±.5 (.020)		P. DAMATO		09JULY07		Harrisburg, PA 17105-3608	
		3 PLC ±.25 (.010)		S. FLICKINGER		09JULY07			
		4 PLC ±		NAME		PRODUCT SPEC		PIN CONNECTOR ASSEMBLY	
		ANGLES ±.5		APPLICATION SPEC		SIZE		RIGHT ANGLE	
MATERIAL		FINISH		WEIGHT		SCALE		SOLDER TAILS	
						3:1			
CUSTOMER DRAWING		A100779C=1766717		RESTRICTED TO		SHEET		1 OF 3	
						REV		A	

LOC	DIST	REVISIONS			
P	LTR	DESCRIPTION	DATE	DRN	APVD
-	-	SEE SHEET 1	-	-	-



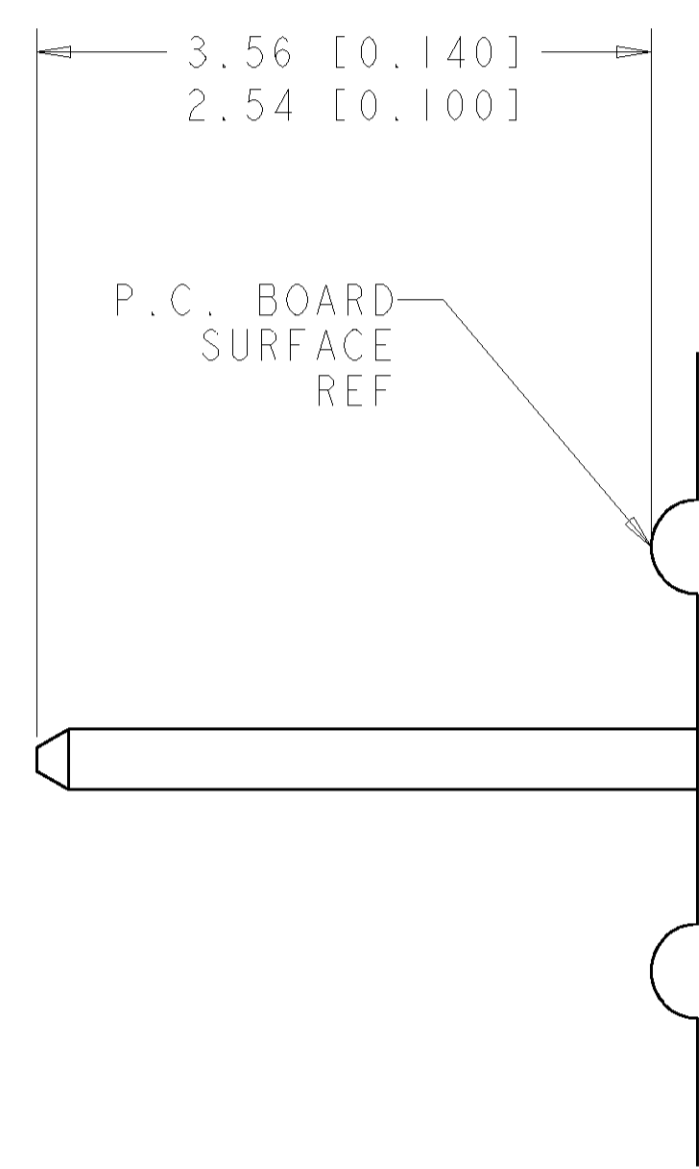
PRINTED CIRCUIT LAYOUT
 COMPONENT SIDE

CONNECTOR	CATALOG MODULE #	QTY	SIZE NO.	CONTACT QTY	MATING PIN	MAX. CURRENT (PER CONTACT)	CONTACT SPACING	VOLTAGE RATING	
PIN	FP302	1	22	24	.64 [0.025] SQ.	3 amps	2.50 [0.0984]	125	
	FP152	3	8	3	1.25 X 7.00 [0.049 X .276]	35 amps	7.50 [0.2953]	250	
	FP151	5	8	5	1.25 X 7.00 [0.049 X .276]	35 amps	7.50 [0.2953]	250	
	FP512	2	SPACER						
	FP516	1	RIGHT ANGLE GUIDE SOCKET						

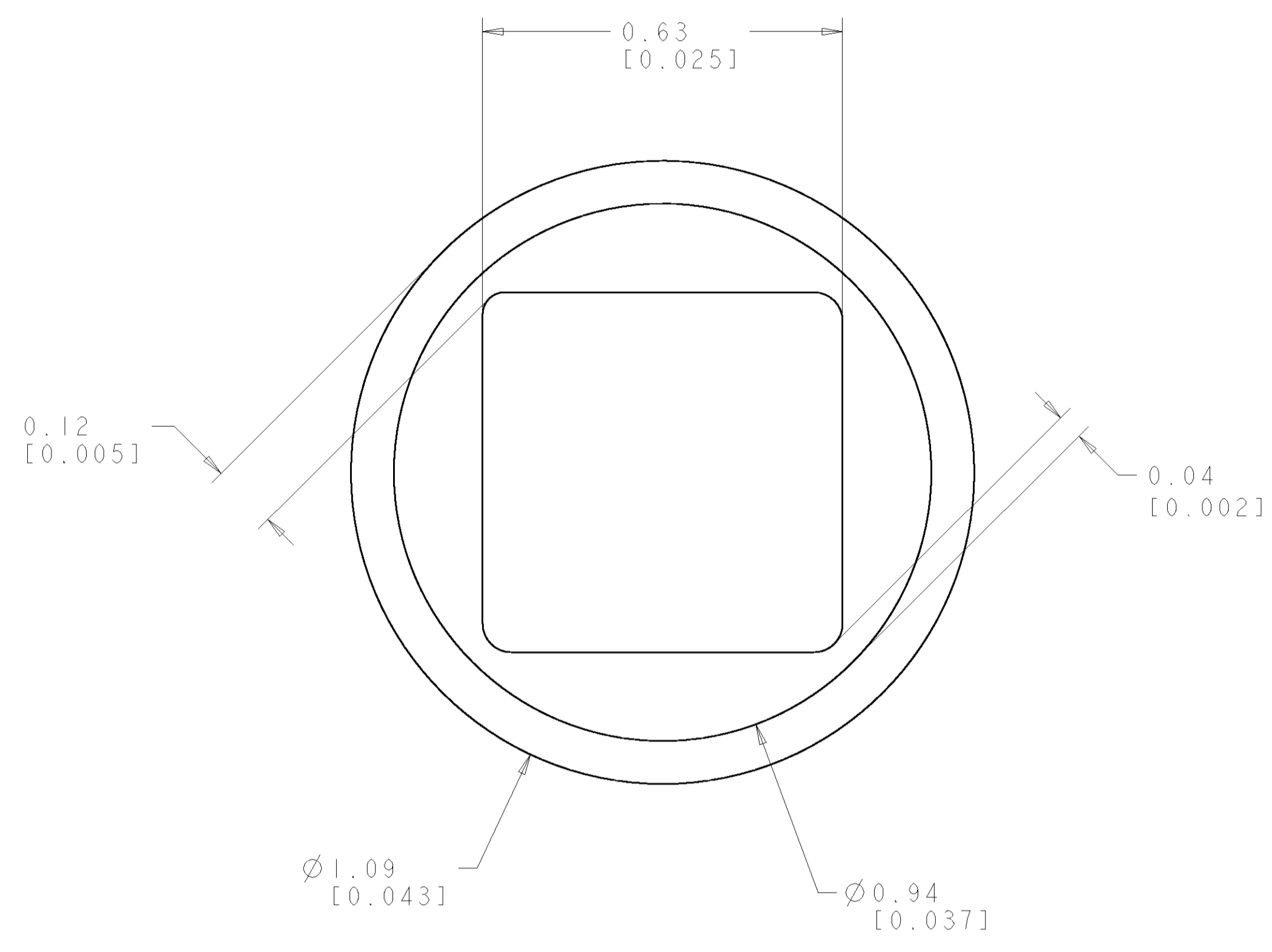
ELCON FLATPAQ

DIMENSIONS: mm [INCHES] 		TOLERANCES UNLESS OTHERWISE SPECIFIED: 0 PLC ±. 1 PLC ±.5 [0.020] 2 PLC ±.25 [0.010] 3 PLC ±. 4 PLC ±. ANGLES ±.5		DRN: B. GRZYBOWSKI 09JULY07 CHK: P. DAMATO 09JULY07 APVD: S. FLICKINGER 09JULY07		Tyco Electronics Harrisburg, PA 17105-3608	
MATERIAL: - FINISH: -		WEIGHT: - CUSTOMER DRAWING		NAME: PIN CONNECTOR ASSEMBLY RIGHT ANGLE SOLDER TAILS SIZE: A 00779 C=1766717 SCALE: 3:1 SHEET 2 OF 3 REV A		RESTRICTED TO: -	

LOC	DIST	REVISIONS					
GP	00	P	LTR	DESCRIPTION	DATE	DWN	APVD
-	-	-	-	SEE SHEET 1	-	-	-



5. SOLDER PIN DETAIL
SCALE 10 : 1



6. SOLDER TERMINATION AREA
 SCALE 40:1
 RECOMMENDED PRINTED CIRCUIT HOLE
 FINISHED HOLE: Ø1.02 [0.040] ±.08 [0.003]
 DRILLED HOLE: Ø1.15 [0.0453] ±.013 [0.0005]
 COPPER PLATE: .025 [0.0010] MIN (PER SURFACE)
 TIN PLATE: .008 [0.0003] MIN. (PER SURFACE)

ELCON FLATPAQ

<small>THIS DRAWING IS UNPUBLISHED. RELEASED FOR PUBLICATION. ALL RIGHTS RESERVED. © 2000 BY TYCO ELECTRONICS CORPORATION.</small>		DWN: B. GRZYBOWSKI 09JULY07 CHK: P. DAMATO 09JULY07 APVD: S. FLICKINGER 09JULY07	Tyco Electronics Harrisburg, PA 17105-3608
DIMENSIONS: mm [INCHES]	TOLERANCES UNLESS OTHERWISE SPECIFIED: 0 PLC ±. 1 PLC ±.5 [0.020] 2 PLC ±.25 [0.010] 3 PLC ±. 4 PLC ±. ANGLES ±.5	NAME: PIN CONNECTOR ASSEMBLY RIGHT ANGLE SOLDER TAILS	SIZE: A 00779 C=1766717 SCALE: 3:1 SHEET 3 OF 3 REV A
MATERIAL: -	FINISH: -	WEIGHT: -	CUSTOMER DRAWING