
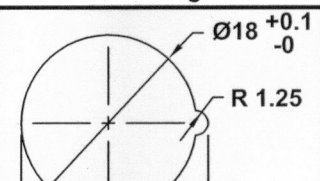

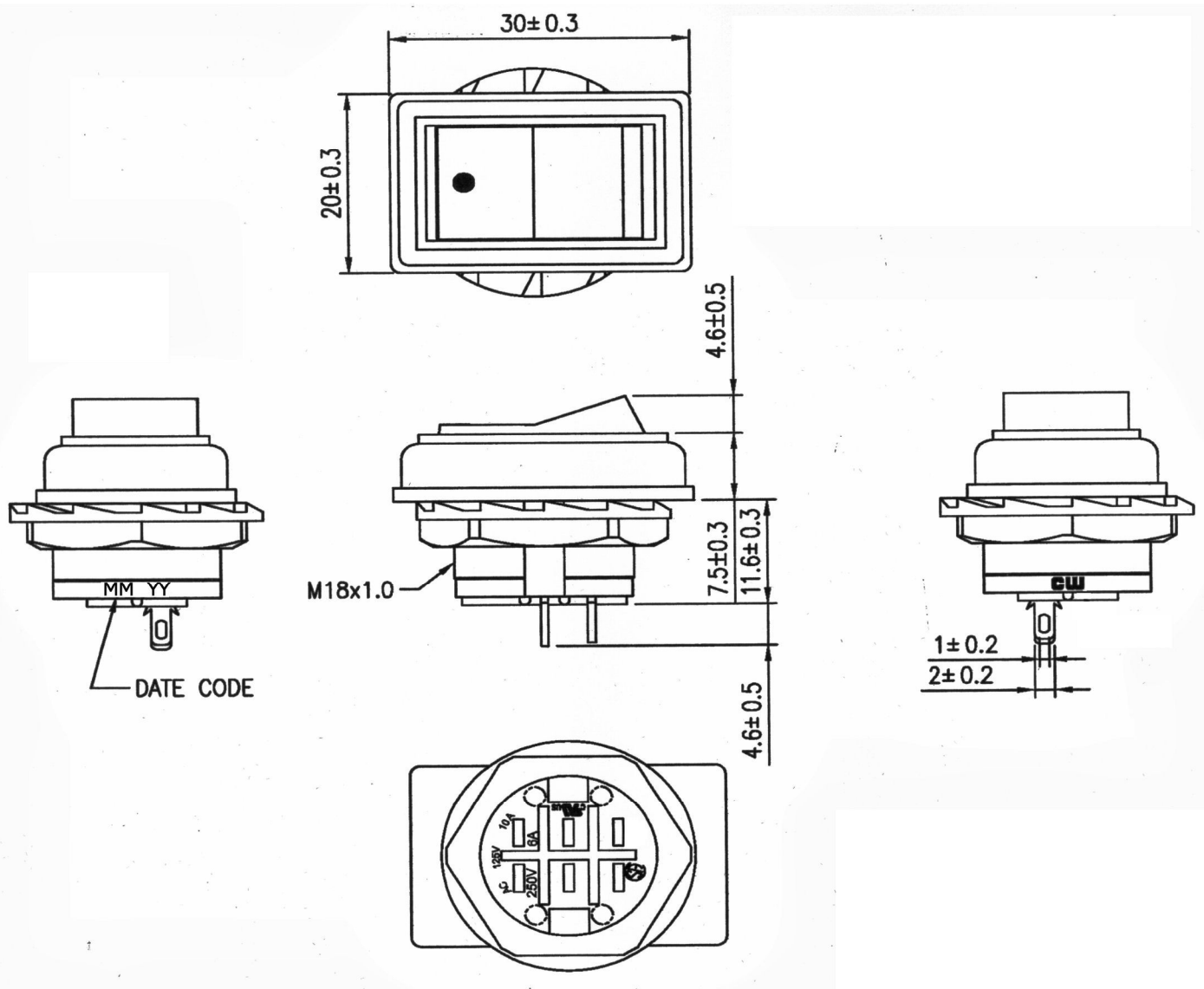


THIS INFORMATION IS CONFIDENTIAL AND PROPRIETARY TO CW INDUSTRIES INCORPORATED AND ITS AFFILIATES. IT MAY NOT BE DISCLOSED TO ANYONE, OTHER THAN CW INDUSTRIES PERSONNEL, WITHOUT WRITTEN AUTHORIZATION FROM CW INDUSTRIES INCORPORATED, SOUTHAMPTON, PENNSYLVANIA USA.


Rating	10 125V, 6A 250V AC		Mounting Hole		Circuit Diagram
Contact Resistance	50m ohm max.				
Insulation Resistance	DC 500V 100M ohm min.				
Dielectric Strength	AC 1500V 1 minute				

Cut-Out 6 mm thk. max.

BASE COLOR: Black
 BUTTON COLOR: Black
 PRINTED: White, hot stamping



RoHS Compliant

 Southampton, Pa. 18966 Tel 215.355.7080/www.cwind.com	Date Drawn: 12/17/09	Rev. 0	Unit: mm	Checked By: G. Guld
	Title: ROCKER SWITCH		CW P/N: GRB049A05BB1	