

MATERIALS AND FINISHES

BODY, COUPLING NUT, CAP, OUTER CONTACT BRASS
PLATED NICKEL

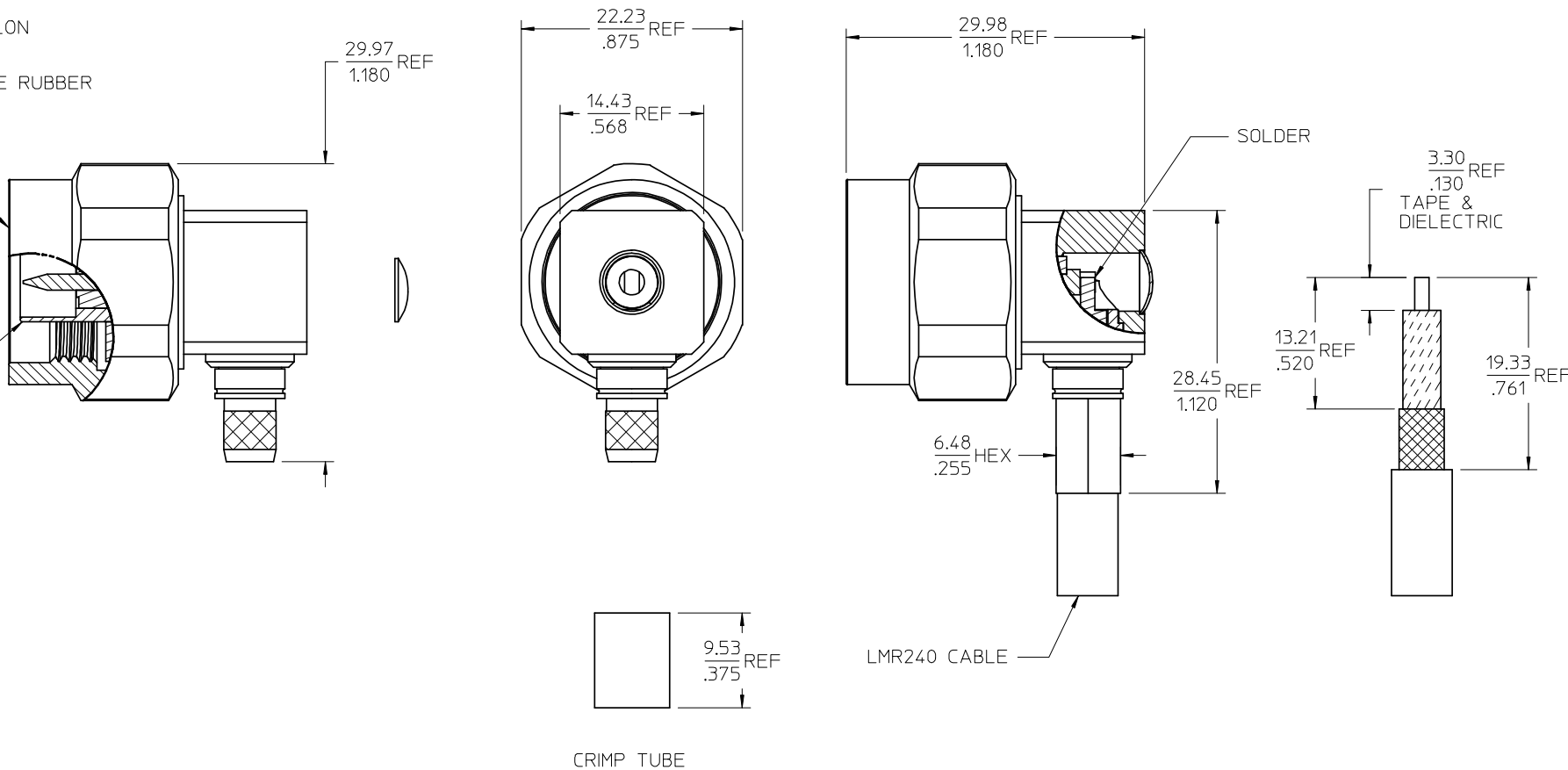
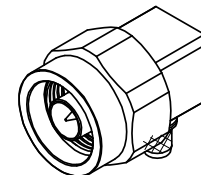
CENTER CONTACT BRASS
PLATED GOLD

INSULATOR TEFLON

GASKET SILICONE RUBBER

N PLUG
INTERFACE

SOLID
OUTER
CONTACT



PART # 73276-0690

CHG: REDREW TO
SHOW NEW CNUT
& OUTER CONTACT.
ADDED CABLE
ASSY INSTRUCTIONS.

EC NO: URF2008-0578
DRAWN: ROBERTSON 2008/05/09
CHKD: SSS 2008/05/09
APPR: JWIENER 2008/05/09

QUALITY SYMBOLS

▽=0

▽=0

DESCRIPTION

REV

GENERAL TOLERANCES (UNLESS SPECIFIED)

	mm	INCH
4 PLACES	± .005	± .0002
3 PLACES	± .003	± .0001
2 PLACES	± .002	± .00005
1 PLACE	± .001	± .00002

ANGULAR ± 2 °

DRAFT WHERE APPLICABLE
MUST REMAIN
WITHIN DIMENSIONS

DIMENSION STYLE
MM/IN

DRAWN BY DATE
TEF 2002/01/02

CHECKED BY DATE
SSS 2002/01/02

APPROVED BY DATE
GMH 2002/01/02

MATERIAL NO.
732760690

SIZE
C

SCALE
DESIGN UNITS
METRIC

THIRD ANGLE PROJECTION

TITLE
N PLUG, RA, LMR240
50 OHMS, N-PC/RA

MOLEX INCORPORATED

DOCUMENT NO.
SD-73276-069

SHEET NO.
1 OF 1

THIS DRAWING CONTAINS INFORMATION THAT IS PROPRIETARY TO MOLEX INCORPORATED AND SHOULD NOT BE USED WITHOUT WRITTEN PERMISSION