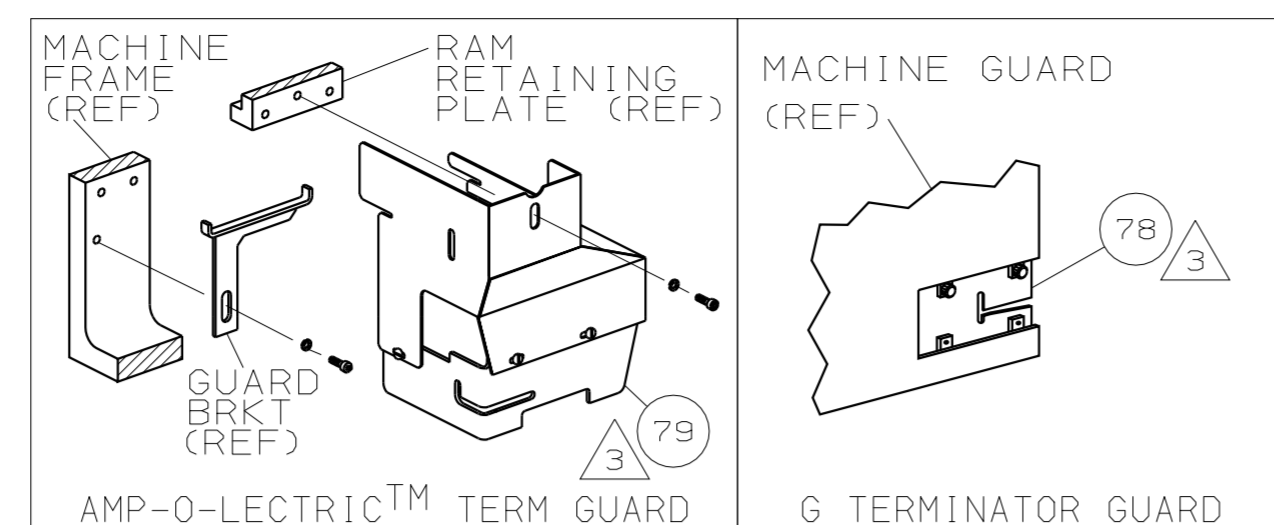
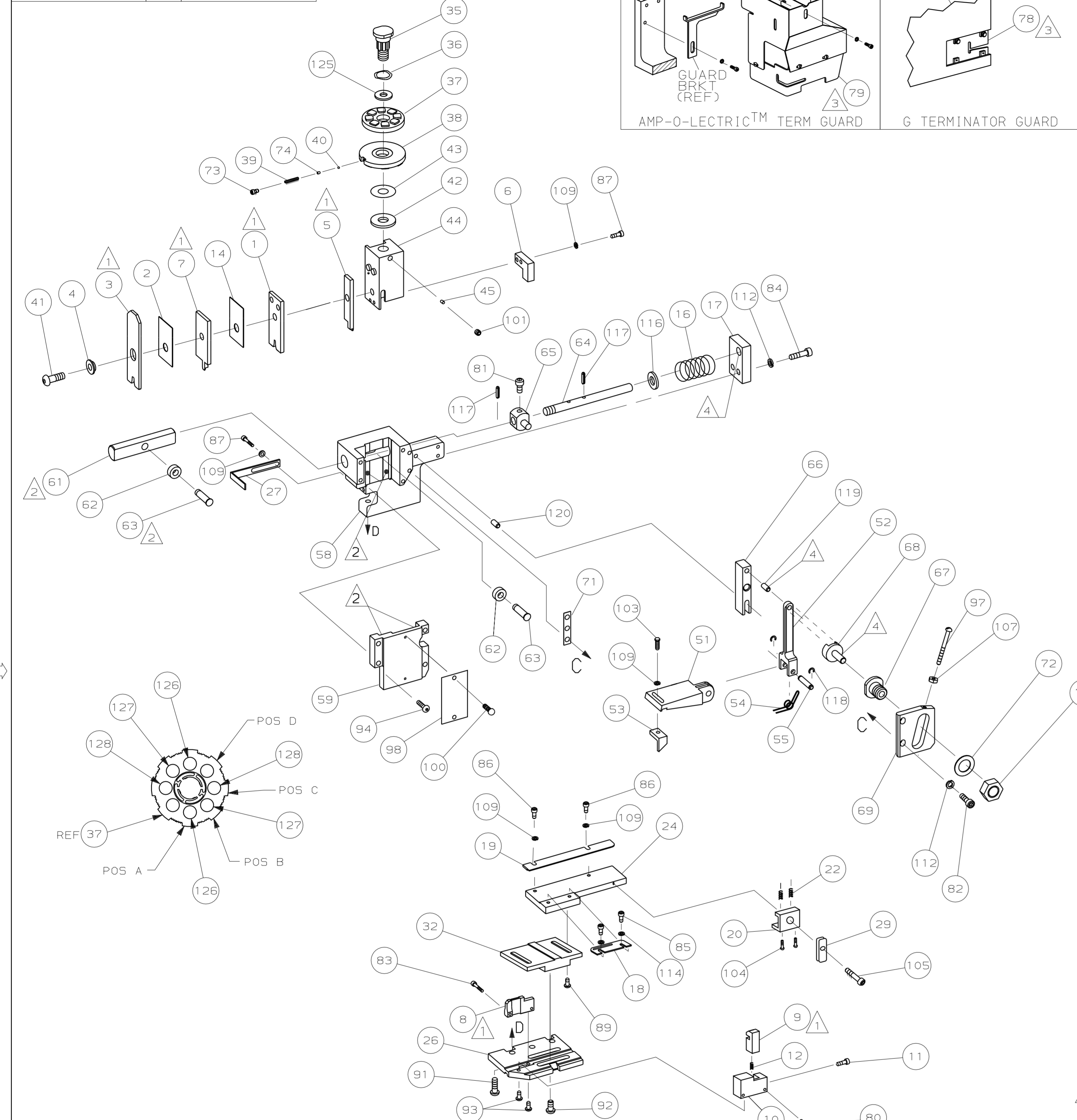


PART NUMBER	REV	FIRST USED
680436-1	A	122500-1
680436-2	A	565435-5



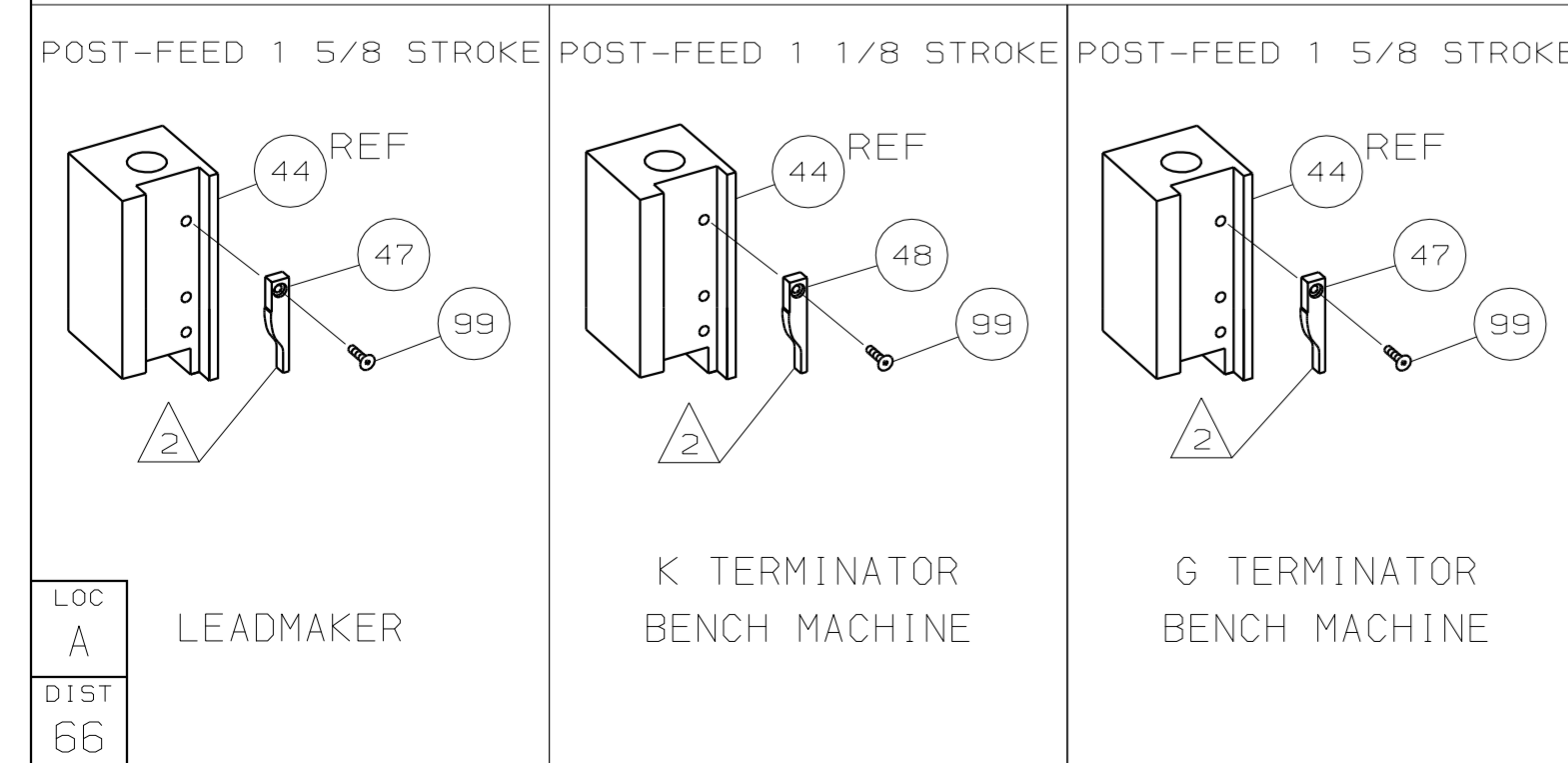
TERMINAL NAME: .250(6.3) SERIES FLAG POSITIVE LOCK RECEPTACLE			
CRIMPING DATA			
PAD LTR	CRIMP HEIGHT	WIRE SIZE	
A	.062 ± .002 [1.57 ± 0.05mm]	16	
B	.056 ± .002 [1.42 ± 0.05mm]	18	
C	.052 ± .002 [1.32 ± 0.05mm]	20	
D	NOT	USED	
CRIMP	SIZE	TYPE	RANGE
WIRE	.100 [2.54mm]	F	20-16
INSUL	.120 [3.05mm]	F	.087 - .130
WIRE STRIP LENGTH	TERM APPL SPEC	FEED	APPL INSTRUCTION
.256 - .287	114-20083	.787	408-8039
SET UP GAGE	LAYOUT		
-	L1820		

-1		LEADMAKER & BENCH MODEL G	MECH POST FEED	
-2		BENCH MODEL K	MECH POST FEED	
1	1	-	A	22594-8
1	1	-	B	240628-1
1	1	-	B	240626-1
1	1	-	B	240633-1
1	1	-	A	455680-1
1	1	-	B	240629-1
1	1	-	A	240632-2
1	1	-	B	240659-3
1	1	-	B	240658-1
1	1	-	B	454398-1
1	1	-	C	454220-1
1	1	-	C	662633-1
1	1	-	B	240624-1
1	1	-	B	691499-1
1	1	-	B	224716-2
1	1	-	B	240634-1
1	1	-	A	690541-1
1	-	-	B	690501-3
-	1	-	B	690501-4
1	1	-	A	690191-1
1	1	-	C	662618-1
1	1	-	A	690125-1
1	1	-	A	690124-1
1	1	-	A	7-21002-9
1	1	-	A	23241-6
1	1	-	A	690170-1
1	1	-	C	690142-1
1	1	-	D	354777-1
1	1	-	A	22480-5
1	1	-	B	690212-1
1	1	-	B	662655-1
1	1	-	B	240793-1
1	1	-	A	662658-1
1	1	-	C	662617-1
1	1	-	B	662656-1
1	1	-	B	240792-1
1	1	-	B	662657-1
1	1	-	C	690438-1
1	1	-	A	454178-1
1	1	-	A	4-22284-9
1	1	-	B	455888-4
1	1	-	A	6-22279-2
1	1	-	B	690461-1
1	1	-	C	662628-1
1	1	-	C	662631-1
1	1	-	D	662626-2
1	1	-	B	662630-1
1	1	-	B	662632-1
1	1	-	B	662629-1
1	1	-	B	238009-1
1	1	-	C	6-683453-7
1	1	-	B	455888-7
1	1	-	C	456407-8



QTY	REV	U/M	DWG SIZE	PART NO	DESCRIPTION	ITEM NO
2	2	-	C	2-354779-6	PIN, WIRE DISC (.3120)C	129
2	2	-	C	1-354779-8	PIN, WIRE DISC (.3080)B	127
2	2	-	C	354779-6	PIN, WIRE DISC (.3020)A	126
1	1	-	A	986950-1	WASHER, FLAT PRECISION	125
1	1	-	A	217238-1	GENERAL INSTRUCTION PACKAGE	124
1	1	-	-	4088039	EF APPL INST 408-8039	123
1	1	-	A	1-21030-7	PIN, DOWEL (Ø.187x1.50)HSG	120
1	1	-	A	1-21030-1	PIN, DOWEL (Ø.187x.50)LEVER	119
2	2	-	A	21045-3	RING, RET "C" (Ø.187)FD PIN	118
2	2	-	A	5-21028-1	PIN, STD SPRING (Ø.12)FD ADJ ROD	117
1	1	-	A	21899-4	WASHER, FLAT (Ø5/16)SCR ADJ	116
2	2	-	A	21024-2	WASHER, LOCK (NO.4)FT ST GDE	115
4	4	-	A	21024-5	WASHER, LOCK (NO.10)FD ROD GDE	112
7	7	-	A	21024-4	WASHER, LOCK (NO.8)SHEAR BL	109
1	1	-	A	21018-5	NUT, HEX (6-32)FD ADJ PL	107
1	1	-	A	22353-8	SCR, SHLD (Ø.187x.25)DRAG LEVER	105
2	2	-	A	3-21002-0	SCR, BHC (10-32x.88)DRAG	104
1	1	-	A	2-22603-0	SCR, HEX HD (8-32x.31)FD FINGER	103
1	1	-	A	21009-2	SCR, SKT SET (1/4-20x.25)DRAM	101
2	2	-	A	21017-2	SCR, DRIVE (#2x.19)ID PLATE	100
1	1	-	A	1-21002-7	SCR, BHC (6-32x.38)CAM	99
1	1	-	B	461264-1	PLATE, IDENTIFICATION	98
1	1	-	A	6-23715-5	SCR, PAN HD (6-32x1.50)FEED ADJ	97
4	4	-	A	2-21002-9	SCR, BHC (10-32x.75)HSG CAP	94
2	2	-	A	22733-8	SCR, BHC (8-32x.38 LW)ANVIL	93
4	4	-	A	3-21002-3	SCR, BHC (1/4-20x.50)ST GD PL	92
3	3	-	A	2-22733-8	SCR, BHC (1/4-20x.62)BASE PL	91
2	2	-	A	3-21000-4	SCR, SHC (10-32x.38)STRIP GUIDE	89
4	4	-	A	2-21000-5	SCR, SHC (8-32x.38)SLUG BLADE	87
2	2	-	A	2-21002-2	SCR, BHC (8-32x.50)R ST GUIDE	86
2	2	-	A	1-21000-3	SCR, SHC (4-40x.25)F ST GUIDE	85
2	2	-	A	3-21000-7	SCR, SHC (10-32x.75)FEED ROD GDE	84
1	1	-	A	2-21000-1	SCR, SHC (6-32x.62)ANVIL	83
2	2	-	A	3-21000-6	SCR, SHC (10-32x.62)FEED ADJ PL	82
1	1	-	A	3-21000-4	SCR, SHC (10-32x.38)PIVOT BLOCK	81
1	1	-	A	2-21000-2	SCR, SHC (6-32x.75)SHEAR PL	80
REF	-	-	A	455745-1	GUARD, WINDOW	79
-	REF	-	A	679532-1	INSERT, GUARD	78
1	1	-	A	690603-1	SPRING, ASSIST	74
1	1	-	A	23030-1	SCR, SKT CAP (6-32x.25)CP DSC	73
1	1	-	A	458109-1	WASHER, FLAT (SPECIAL)	72
1	1	-	A	690517-1	SPACER	71

QTY	REV	U/M	DWG SIZE	PART NO	DESCRIPTION	ITEM NO
1	1	-	A	690191-1	PLUG, NYLON	45
1	1	-	C	662618-1	RAM	44
1	1	-	A	690125-1	WASHER, LAMINATED	43
1	1	-	A	690124-1	WASHER, RAM	42
1	1	-	A	7-21002-9	BOLT, CRIMPER (5/16-24x1.00)	41
1	1	-	A	23241-6	BALL, STEEL	40
1	1	-	A	690170-1	SPRING, COMPRESSION	39
1	1	-	C	690142-1	DISC, INSULATION	38
1	1	-	D	354777-1	WIRE DISC, PLASTIC	37
1	1	-	A	22480-5	WASHER, SPRING	36
1	1	-	B	690212-1	POST, RAM	35
1	1	-	B	662655-1	BLOCK, BASE	32
1	1	-	B	240793-1	LEVER, DRAG RELEASE	29
1	1	-	A	662658-1	STRIPPER	27
1	1	-	C	662617-1	PLATE, BASE	26
1	1	-	B	662656-1	PLATE, STRIP GUIDE	24
2	2	-	A	4-22281-1	SPRING, DRAG	22
1	1	-	A	240792-1	DRAG, STOCK	20
1	1	-	B	662657-1	GUIDE, STRIP (REAR)	19
1	1	-	C	690438-1	GUIDE, STRIP (FRONT)	18
1	1	-	A	454178-1	GUIDE, FEED ROD	17
1	1	-	A	4-22284-9	SPRING, FEED RETURN	16
1	1	-	B	455888-4	SPACER, CRIMPER	14
1	1	-	A	6-22279-2	SPRING, COMPRESSION	12
1	1	-	B	690461-1	STOP, SHEAR	11
1	1	-	C	662628-1	PLATE, SHEAR	10
1	1	-	C	662631-1	SHEAR, FLOATING	9
1	1	-	D	662626-2	ANVIL	8
1	1	-	B	662630-1	BLADE, SLUG	7
1	1	-	B	662632-1	DEPRESSOR, SHEAR	6
1	1	-	B	662629-1	BLADE, SLUG	5
1	1	-	B	238009-1	SPACER, BLOCK CRIMPER	4
1	1	-	C	6-683453-7	CRIMPER, INSULATION	3
1	1	-	B	455888-7	SPACER, CRIMPER	2
1	1	-	C	456407-8	CRIMPER, WIRE	1



- 1 RECOMMENDED SPARE PARTS.
- 2 GREASE LIGHTLY.
- 3 GUARD MUST BE IN PLACE WHEN OPERATING APPLICATOR IN A BENCH MACHINE.
- 4 LUBRICATE DAILY USING NO. 20 MACHINE OIL.
- 5 ITEM 78 USED WITH G TERMINATOR ONLY.

THIS DRAWING IS A CONTROLLED DOCUMENT FOR AMP INCORPORATED. IT IS SUBJECT TO CHANGE AND THE CONTROLLING ENGINEERING ORGANIZATION SHOULD BE CONTACTED FOR THE LATEST REVISION.

THIS INFORMATION IS CONFIDENTIAL AND IS DISCLOSED TO YOU ON CONDITION THAT NO FURTHER DISCLOSURE IS MADE BY YOU TO OTHER THAN AMP PERSONNEL WITHOUT WRITTEN AUTHORIZATION FROM AMP INCORPORATED, HARRISBURG, PA.

680436