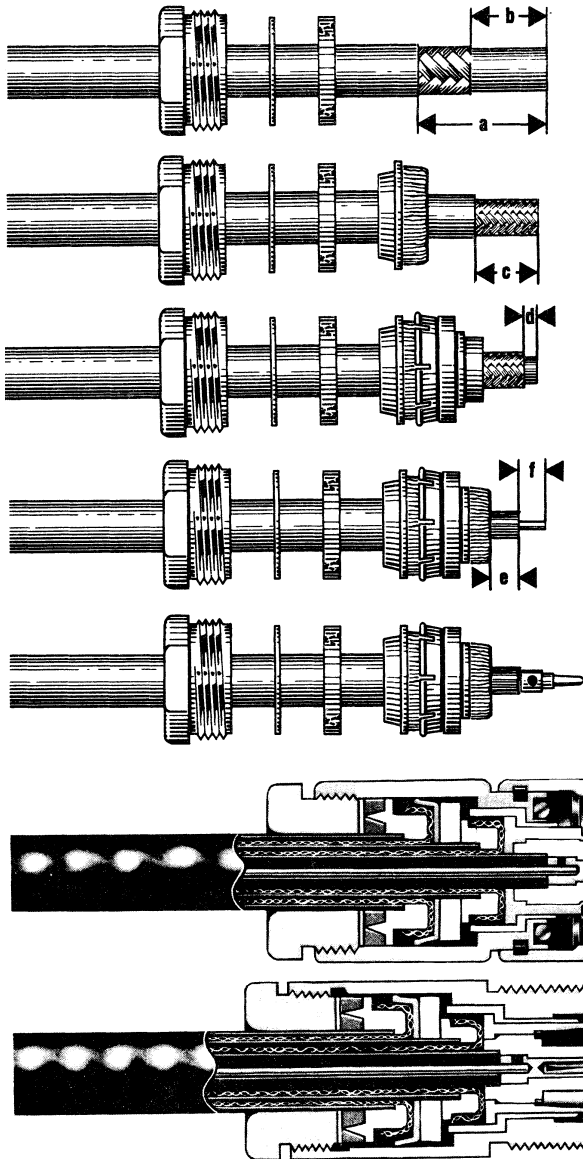
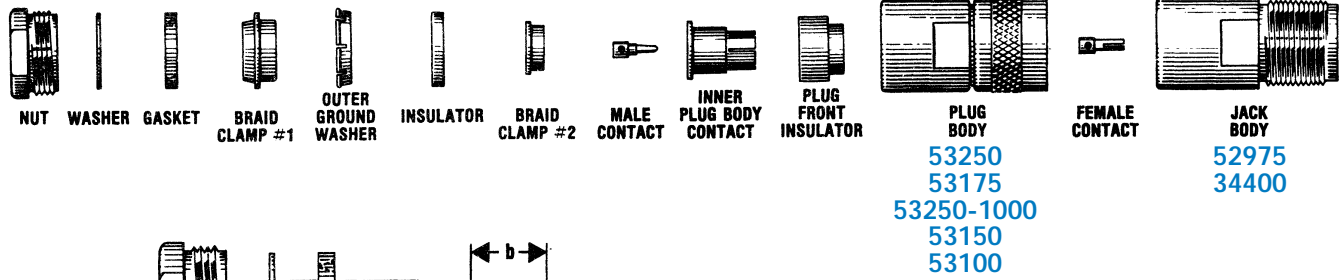


# Assembly Instructions-C15

## Triax Threaded, 7/8-20 and 11/16-24



■ for 34400 and 34375 Jacks this dimension is .130 (3.3)

D for 53100 and 53150 Plugs this dimension is .187 (4.5)

- Step 1** Slide nut, washer and gasket over cable. Cut off outside jacket (using razor blade or wire strippers) to dimension a. Make a clean cut, being very careful not to nick braid. Cut first braid to dimension b.
- Step 2** Slide first braid clamp over braid up to jacket of cable. Fold first braid back over clamp, making sure braid is evenly distributed over the surface of the clamp. Trim second jacket to dimension c, again being very careful not to nick braid.
- Step 3** Trim second braid to dimension d. Slide on outer ground washer insulator and second braid clamp. Fold second braid back over braid clamp, again making sure that braid is evenly distributed over surface of clamp.
- Step 4** Trim cable dielectric to dimension e.
- Step 5** Tin the inside hole of the contact. Tin wire and insert into contact and solder. Remove any excess solder. Be sure cable dielectric is not heated excessively and swollen so as to prevent dielectric from entering body of fitting.
- Step 6** Plug only: Place front insulator and outer contact assembly into back of connector body and push into proper place. Insert cable-contact assembly into body. Screw nut into body with wrench until moderately tight.

Stripping dims. ±1/64 inches  
(0.4 millimeters)

Plugs	58A, 59 Type	8, 11 Type
a	7/8 (22.2)	15/16 (23.8)
b	19/32 (15.1)	19/32 (15.1)
c	9/16 (14.3)	15/32 (11.9)
d	11/32 (8.7)	5/16 (7.9)
e	11/32 (8.7)Δ	5/16 (7.9)
f	9/64 (3.6)	1/8 (3.2)
Jacks	58A, 59 Type	8 Type
a	19/32 (15.1)	29/32 (23.0)
b	21/64 (8.3)	19/32 (15.1)
c	19/64 (7.5)	9/16 (14.5)
d	1/4 (6.4)	5/16 (7.9)
e	1/4 (6.4) ■	5/16 (7.9)
f	3/32 (2.4)	1/8 (3.2)