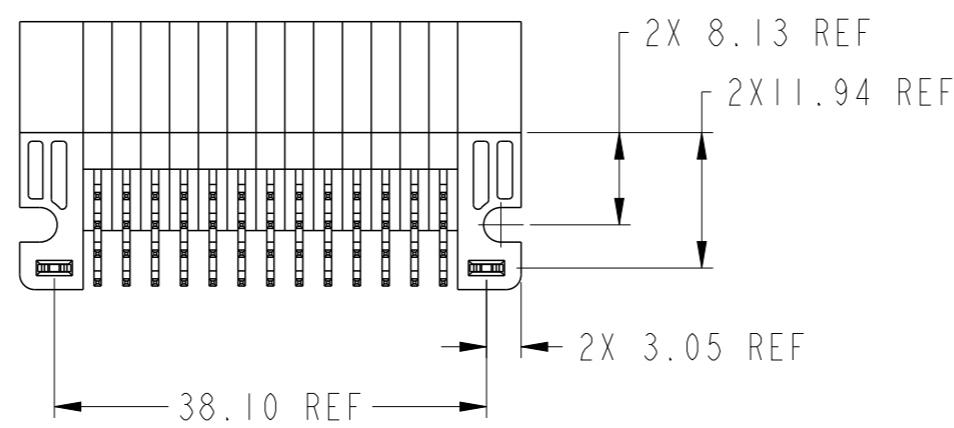
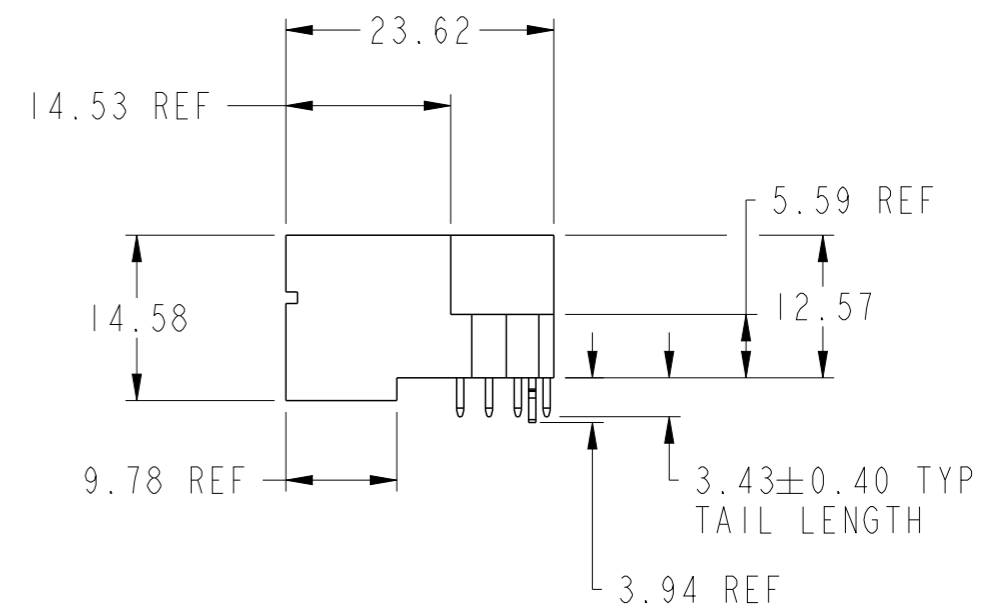
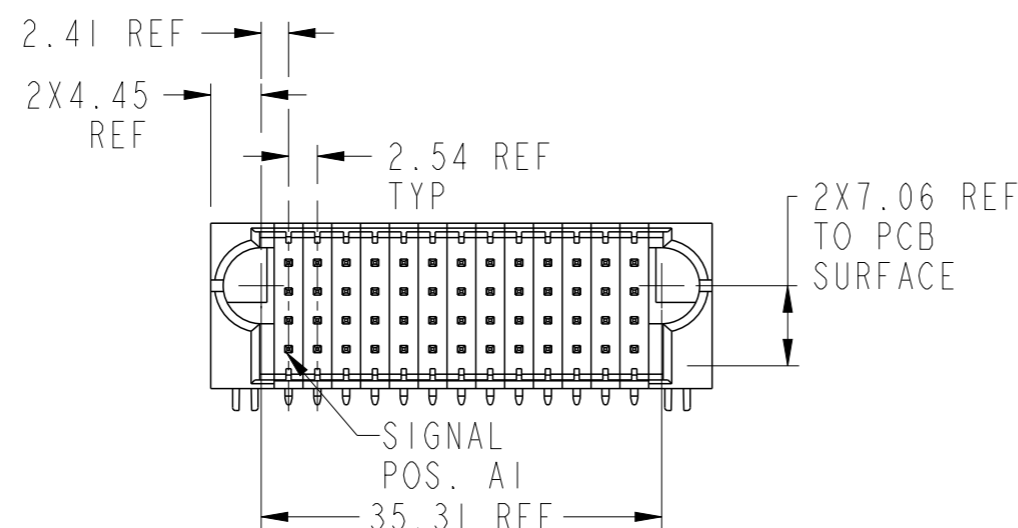
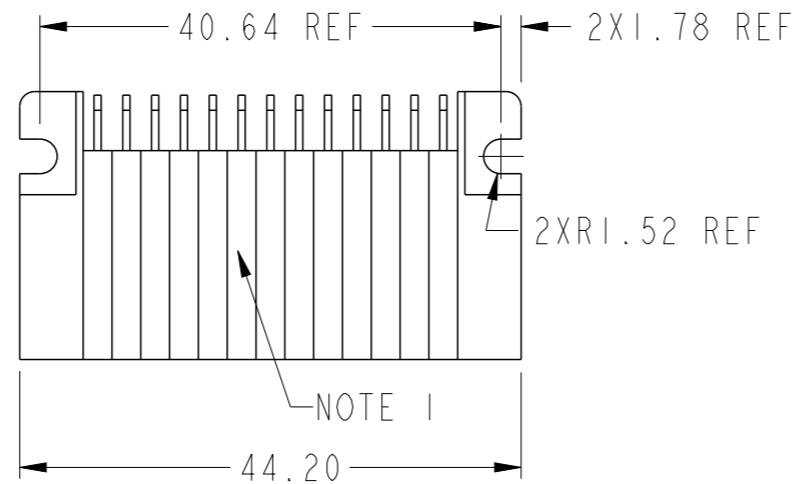


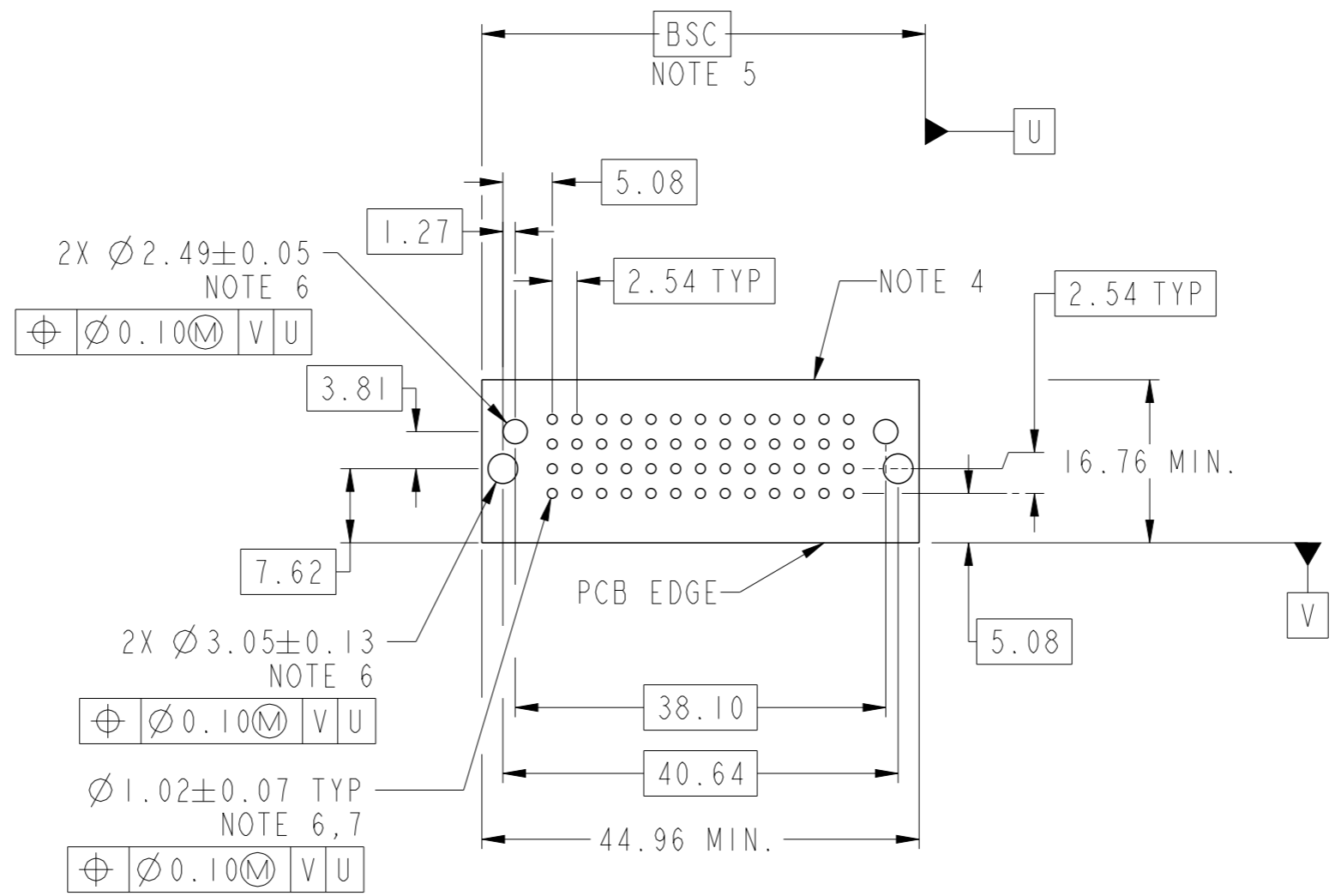
PRODUCT NUMBER SEE SHEET 2



Copyright FCI.

spec ref	*	dr	Eddy Zeng	2013/11/14	projection	MM	size	A3	scale	3:2
tolerance std	ASME Y14.5	eng	Eddy Zeng	2013/11/20			ecn no	-	rel level	Released
TOLERANCES UNLESS OTHERWISE SPECIFIED		chr	Li-He	2013/11/20			product family	PwrBlade+		
surface	✓	appr	Pei-Ming Zheng	2013/11/20			title	52S	dwg no	10106262-0013001
ASME Y14.5	linear			www.fci.com			rev	A	Product - Customer Drw	
	angular			cat. no.			sheet 1 of 3			

PRODUCT NO.	ROWS	SIGNAL													
		E1	1	2	3	4	5	6	7	8	9	10	11	12	13
10106262-0013001LF	DCBA	U	U	U	U	U	U	U	U	U	U	U	U	U	U
		T	T	T	T	T	T	T	T	T	T	T	T	T	T
		S	S	S	S	S	S	S	S	S	S	S	S	S	S
		R	R	R	R	R	R	R	R	R	R	R	R	R	



CODE	DESCRIPTION
HA	METAL HOLD DOWN
R	STD SIGNAL CONTACT, ROW A (3.43)
S	STD SIGNAL CONTACT, ROW B (3.43)
T	STD SIGNAL CONTACT, ROW C (3.43)
U	STD SIGNAL CONTACT, ROW D (3.43)

dr	Eddy Zeng	2013/11/14	projection 	size A3	scale 3:2
eng	Eddy Zeng	2013/11/20			
chr	Li-He	2013/11/20			
appr	Pei-Ming Zheng	2013/11/20			
product family			PwrBlade+	ecn no	-
rel level			Released		
		title 52S RA STB HEADER	dwg no 10106262-0013001	rev A	
www.fci.com		cat. no.	Product - Customer Drw		sheet 2 of 3

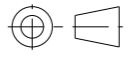
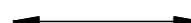

Copyright FCI.

NOTES:

- 1) "FCI", PART NUMBER AND DATE CODE TO BE MARKED ON THIS SURFACE.  
THE MARK CAN BE OMITTED IF THERE IS NOT ENOUGH SPACE ON THIS SURFACE.
- 2) MATERIALS:  
-HOUSING - GLASS FILLED WITH HIGH TEMP THERMOPLASTIC, UL94V-0.  
-SIGNAL CONTACT - COPPER ALLOY.  
-POWER CONTACT - HIGH CONDUCTIVITY COPPER ALLOY.
- 3) PLATING SPECIFICATION REFER TO FCI 10116351
- 4) DENOTES CONNECTOR KEEP OUT ZONE.
- 5) DATUM AND BASIC DIMENIONS WERE ESTABLISHED BY CUSTOMER.
- 6) ALL HOLE DIAMETERS ARE FINISHED HOLE SIZES.
- 7)  $1.15 \pm 0.025$ MM DRILLED HOLE PLATED WITH 0.00762MM MIN Sn  
OVER 0.0254-0.0762MM Cu PLATING TO ACHIEVE A  $1.02 \pm 0.07$ MM HOLE.
- 8) PRODUCT SPECIFICATION REFER TO FCI GS-12-658.  
APPLICATION SPECIFICATION REFER TO FCI GS-20-141.  
PRODUCT PACKAGED IN TRAYS, REFER TO FCI GS-14-1502.



Copyright FCI.

dr	Eddy Zeng	2013/11/14	projection 	MM 	size	A3	scale	3:2
eng	Eddy Zeng	2013/11/20			ecn no	-		
chr	Li-He	2013/11/20			product family	PwrBlade+	rel level	Released
appr	Pei-Ming Zheng	2013/11/20			 title 52S RA STB HEADER		dwg no 10106262-0013001	rev A
www.fci.com			cat. no.	Product - Customer Drw		sheet 3 of 3		