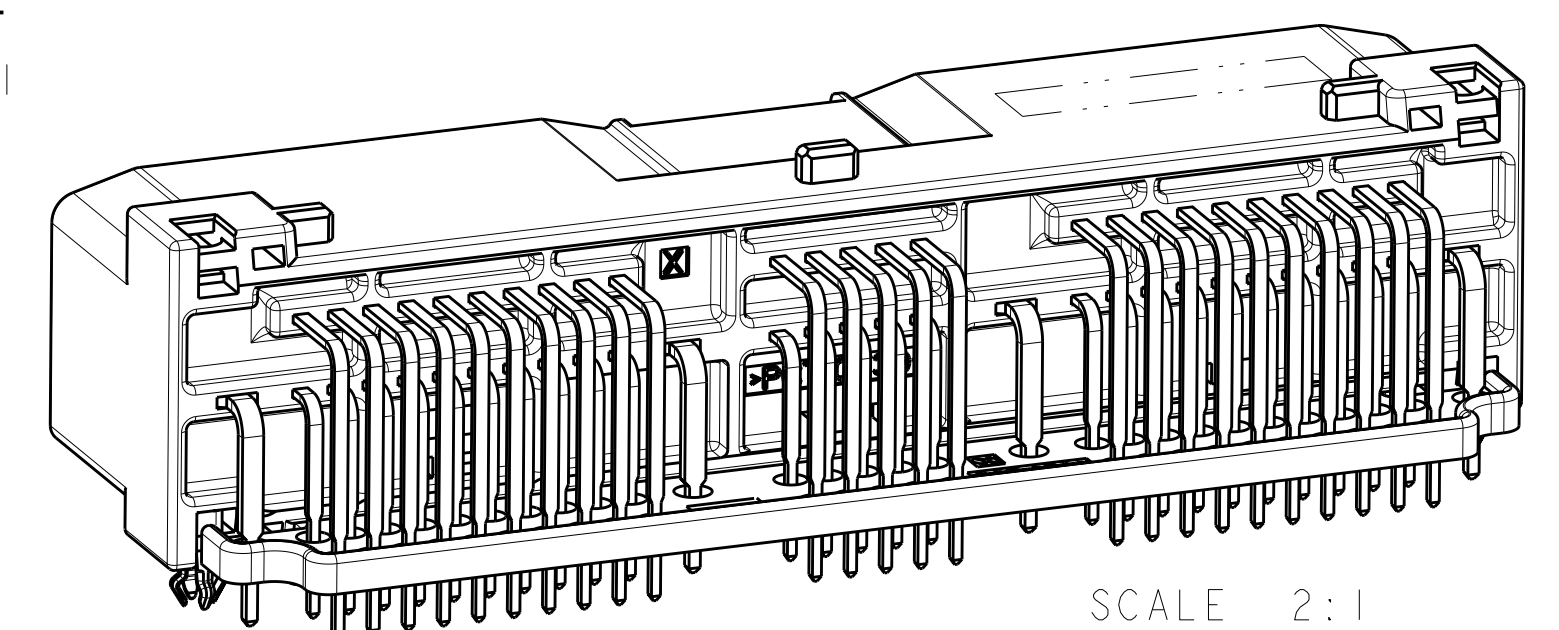
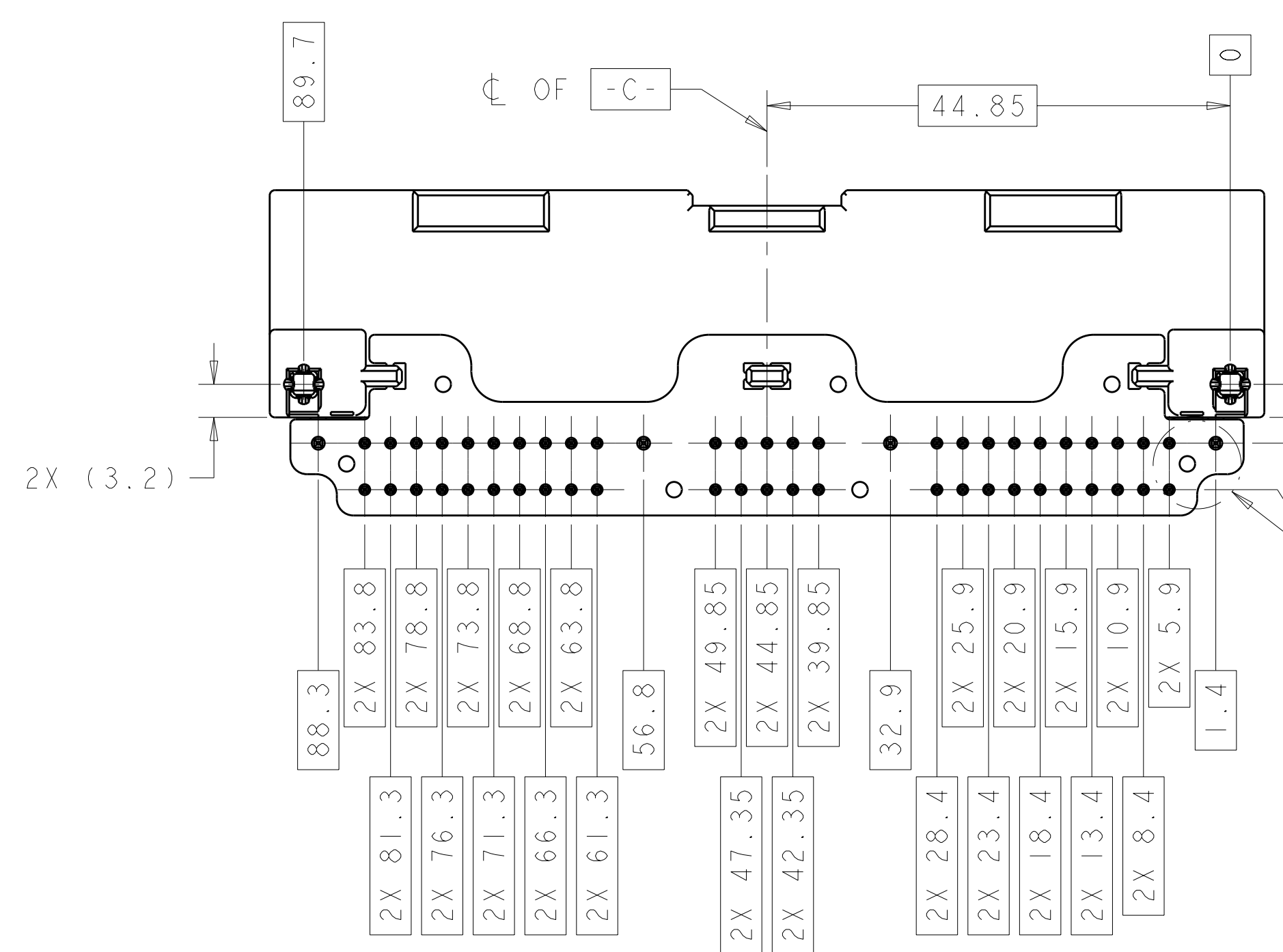
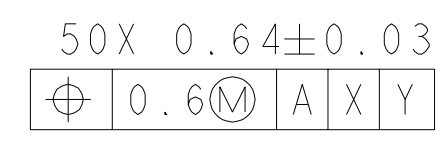
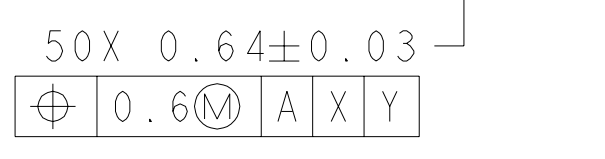
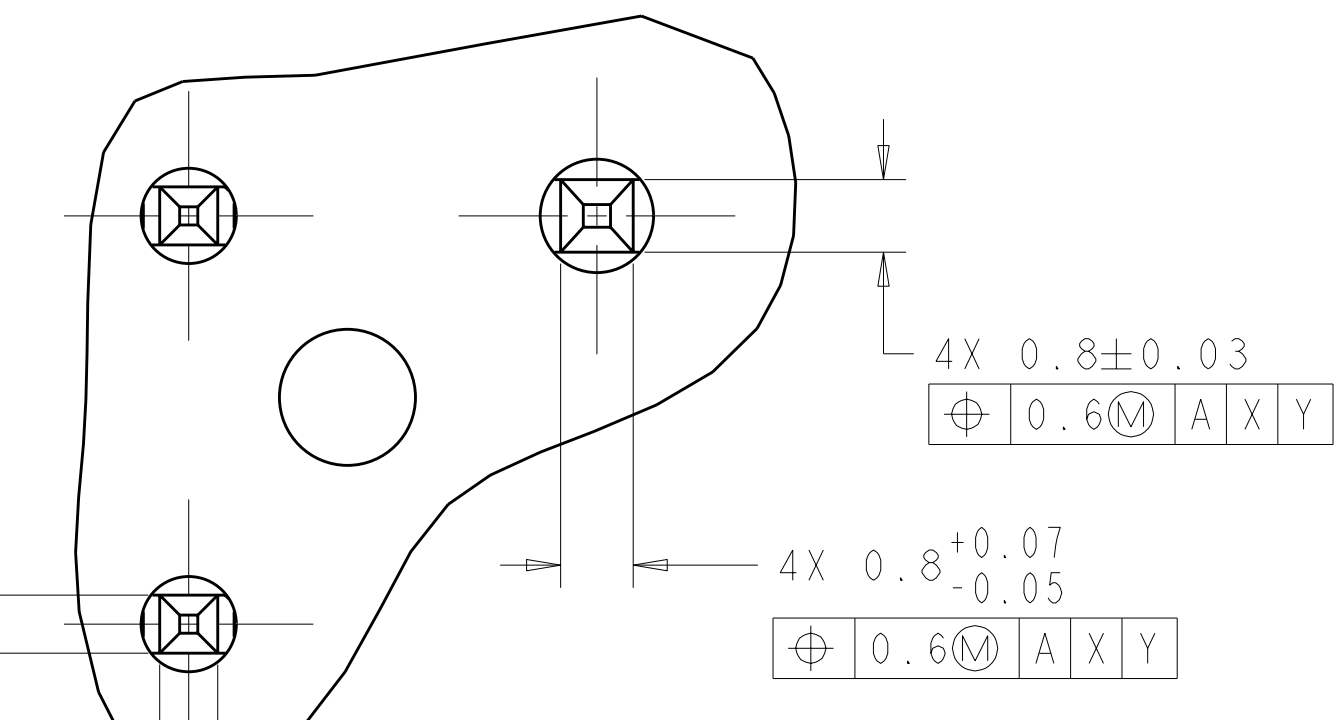
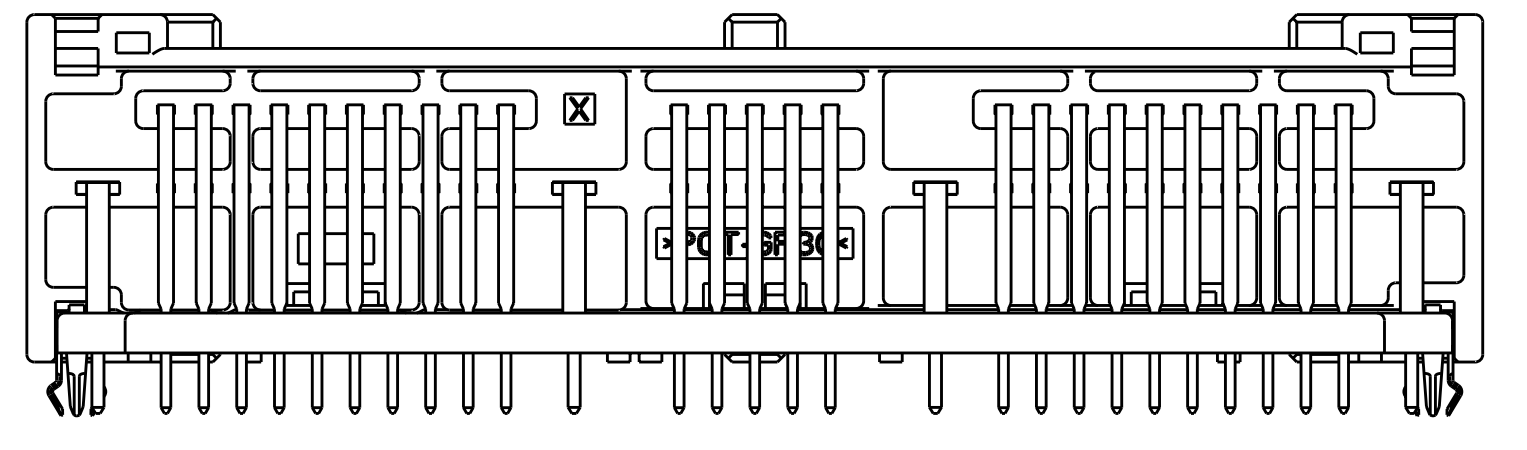
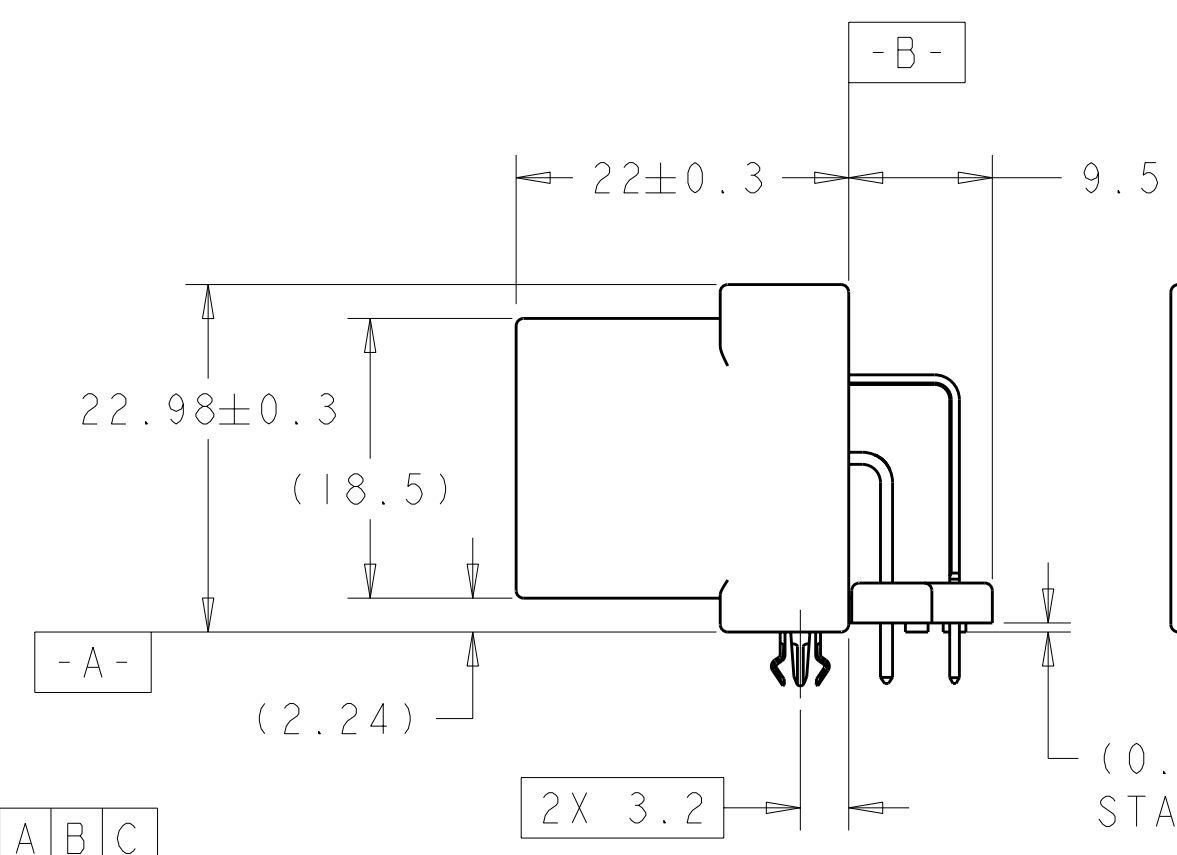
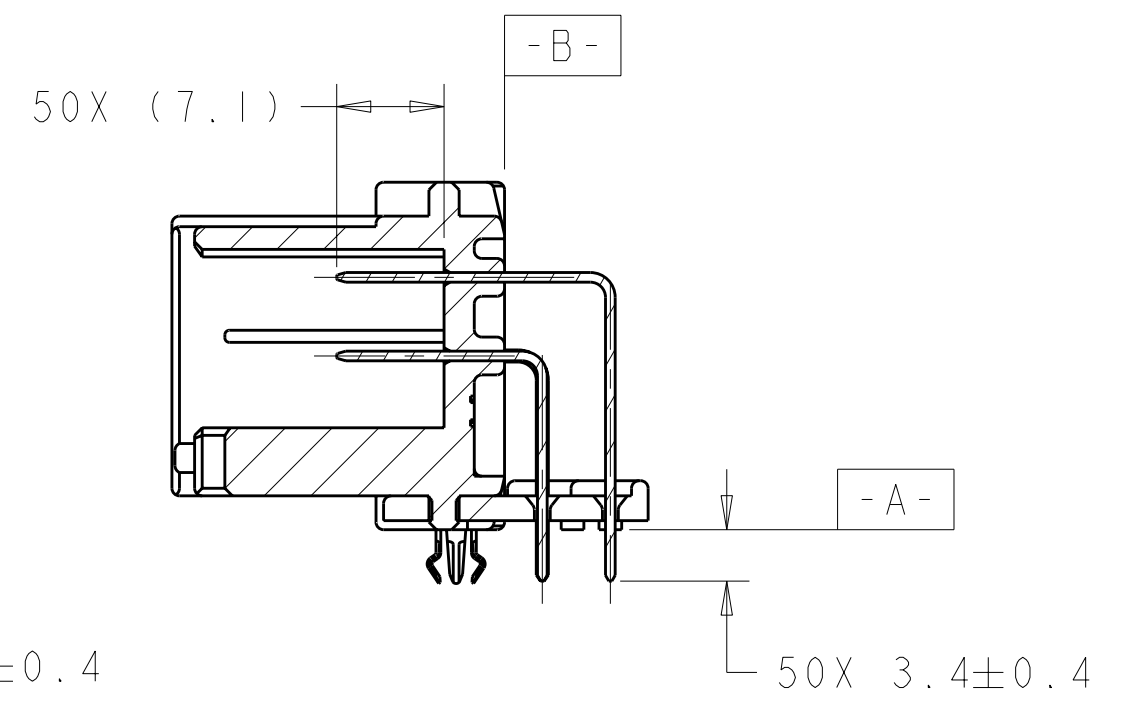
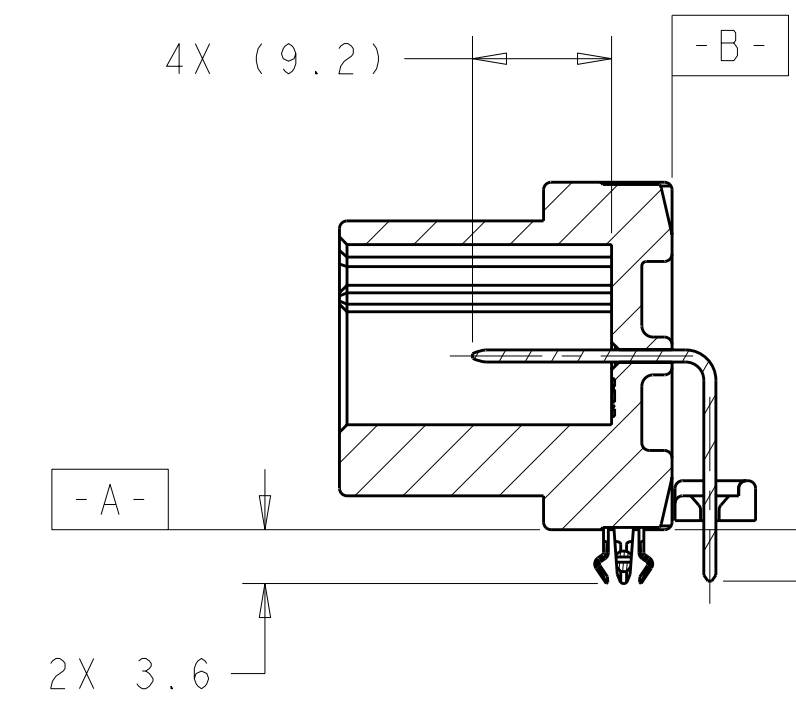
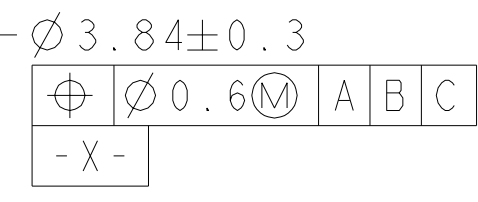
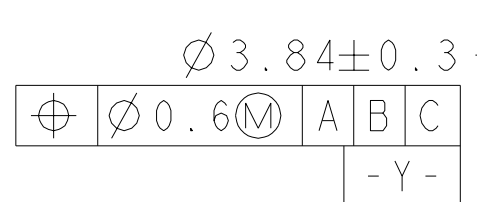
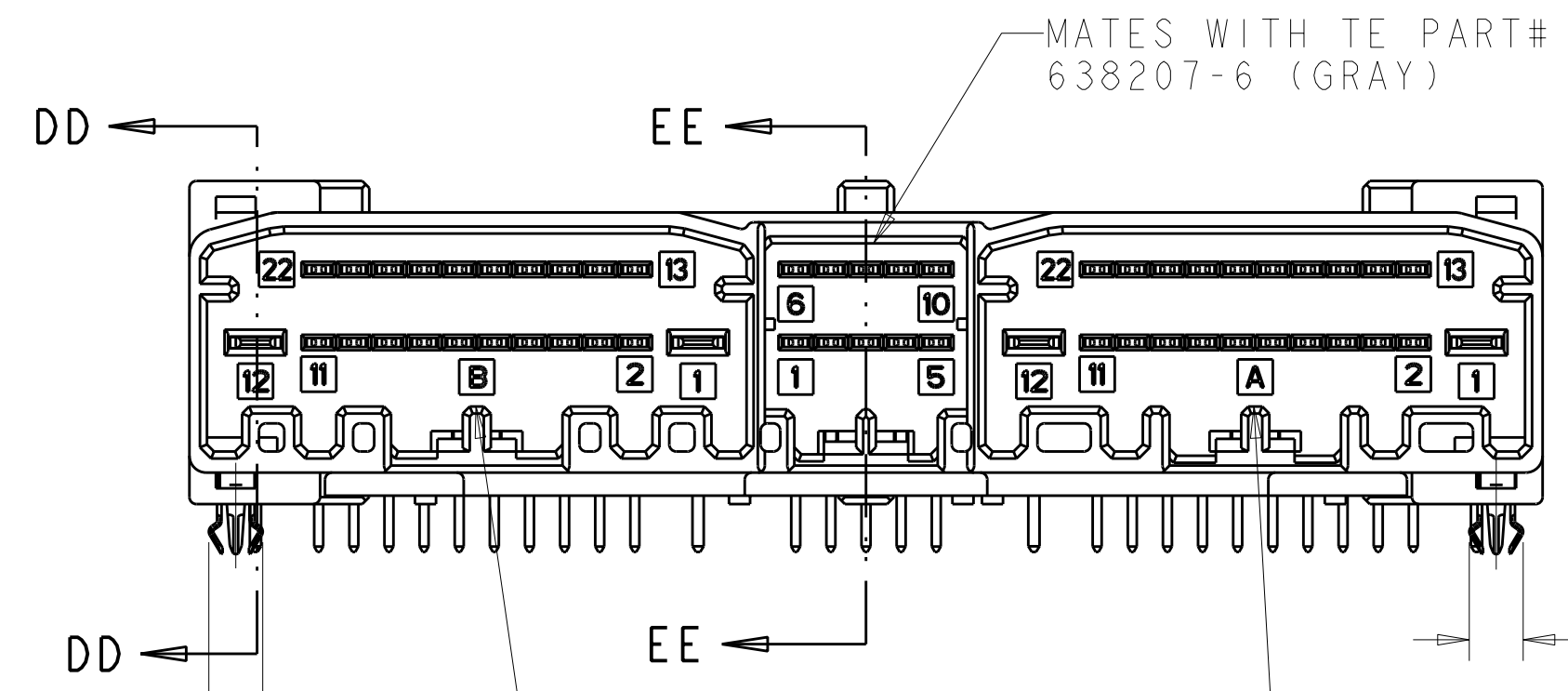
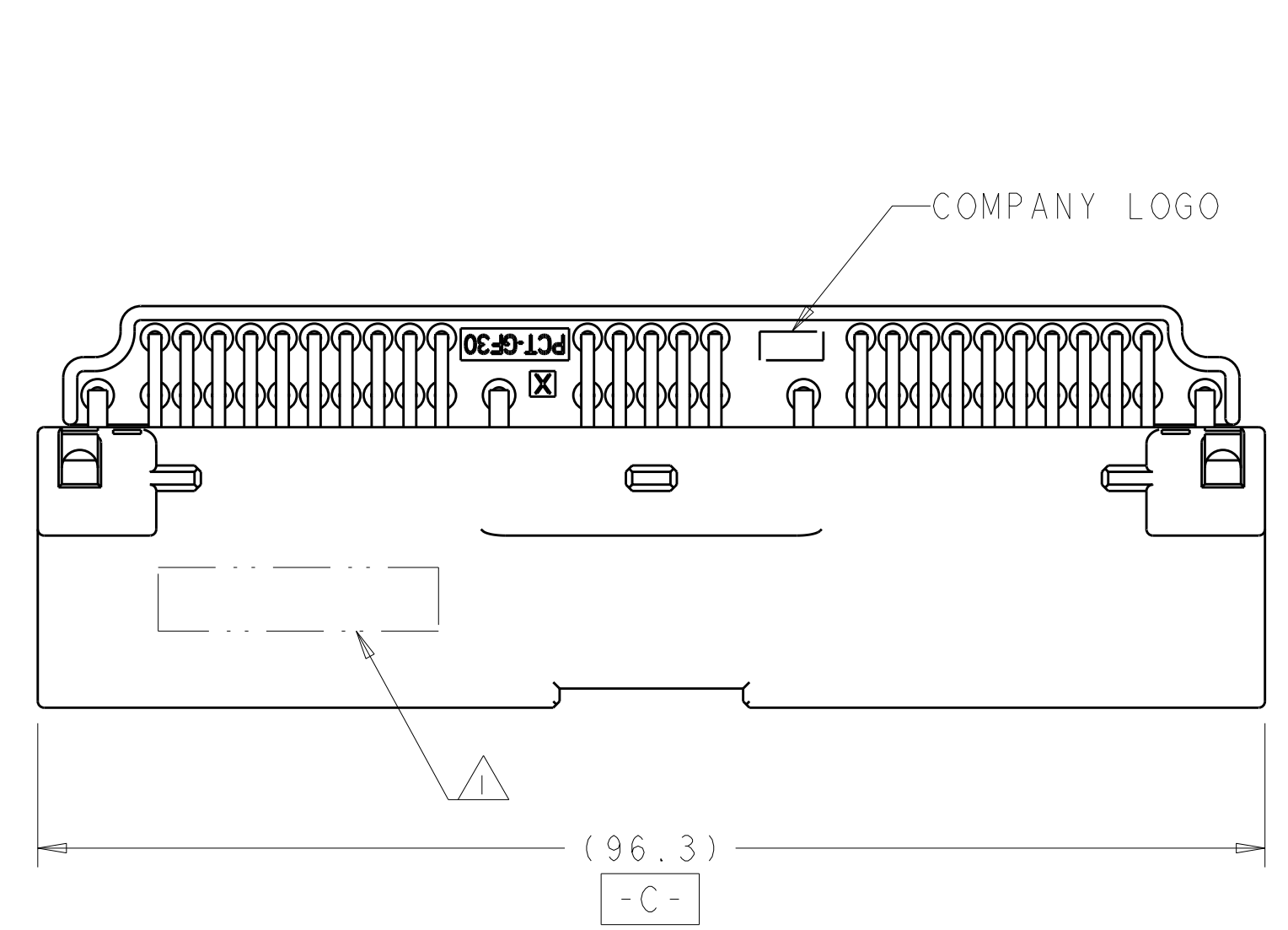
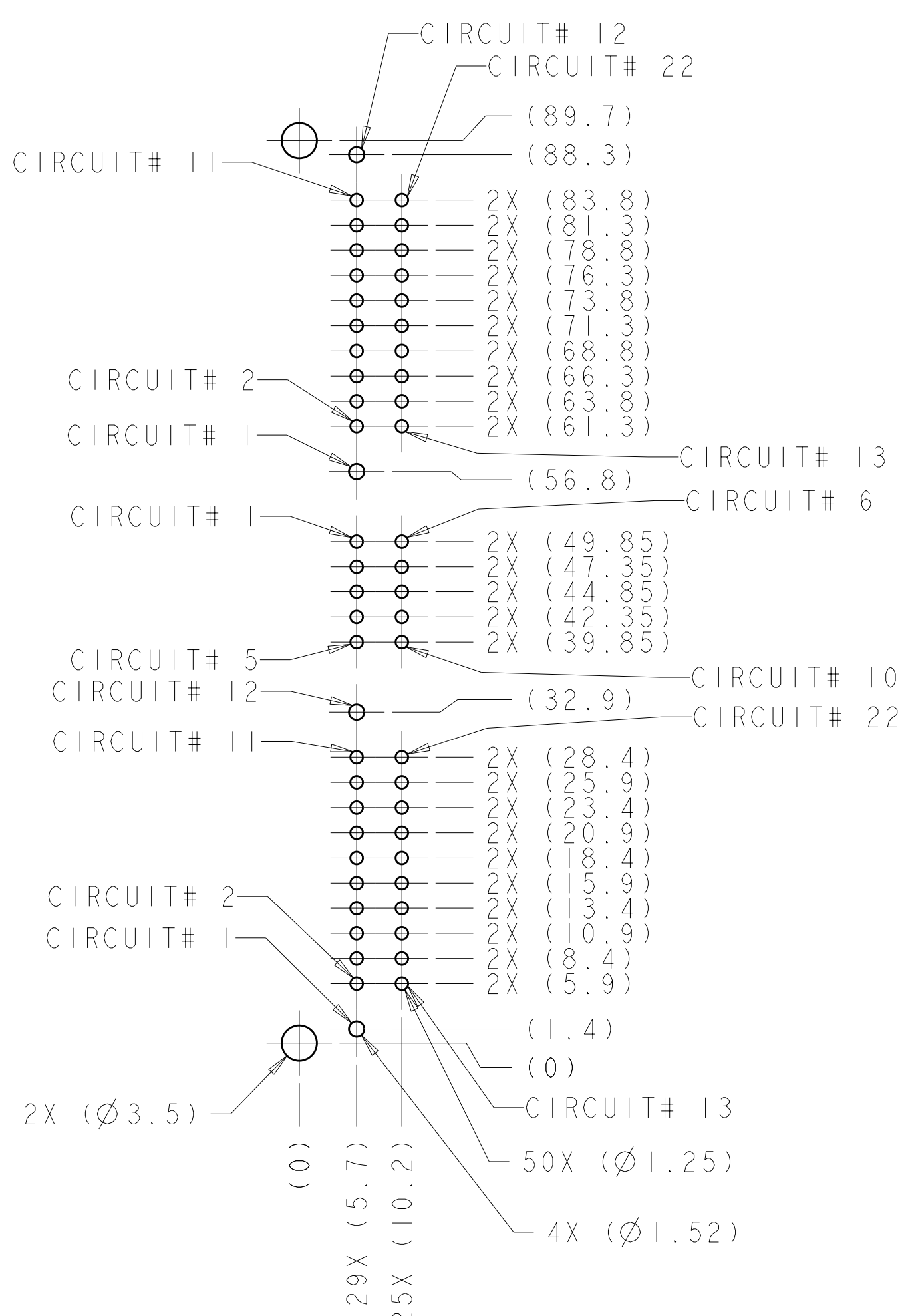


LOC	DIST	REV	DATE	BY	CHKD	APVD
FX	00					
C		REV PER ECR-06-000886	09MAR2006	MBH	AV	
C1		REV PER ECR-06-021177	27FEB2007	AH	CS	
C2		REVISED PER ECO-09-016926	20JUL2009	DLD	MHB	
C3		REV PER ECR-10-012887	17JUN2010	VSS	MB	



PCT	GRAY	BRASS	PRE-TIN	BRASS	POST-TIN	PCT	GRAY	9-1438743-6	
MATERIAL	FINISH	MATERIAL	FINISH	MATERIAL	FINISH	MATERIAL	COLOR	PART NO	
TINE PLATE		BOARDLOCK		CONTACT		HOUSING			
DIMENSIONS: mm				TOLERANCES UNLESS OTHERWISE SPECIFIED:				DWN: M. HITCHCOCK 27JUL2004	
MATERIAL: SEE TABLE				FINISH: SEE TABLE				CHK: A. VASINDER 27JUL2004	
APVD: T. MEHAFFEY 27JUL2004				NAME: Tyco Electronics				Tyco Electronics	
CUSTOMER DRAWING				APPLICATION SPEC: 114-13158				SIZE: CAGE CODE: DRAWING NO: 00779	Harrisburg, PA 17105-3608
SCALE: 2:1				SHEET: 1 OF 1				REV: C3	RESTRICTED TO

NOTES:  
 △ MARK DATE CODE IN APPROXIMATE LOCATION.