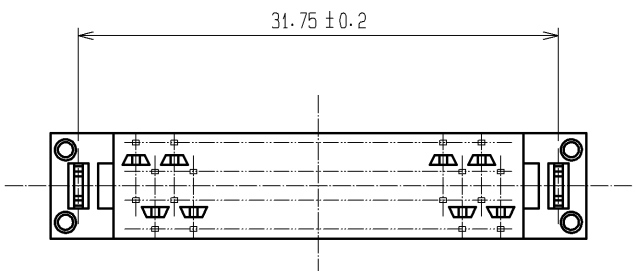
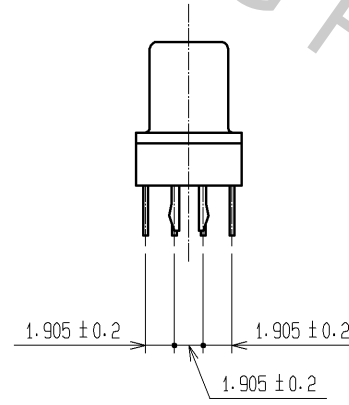
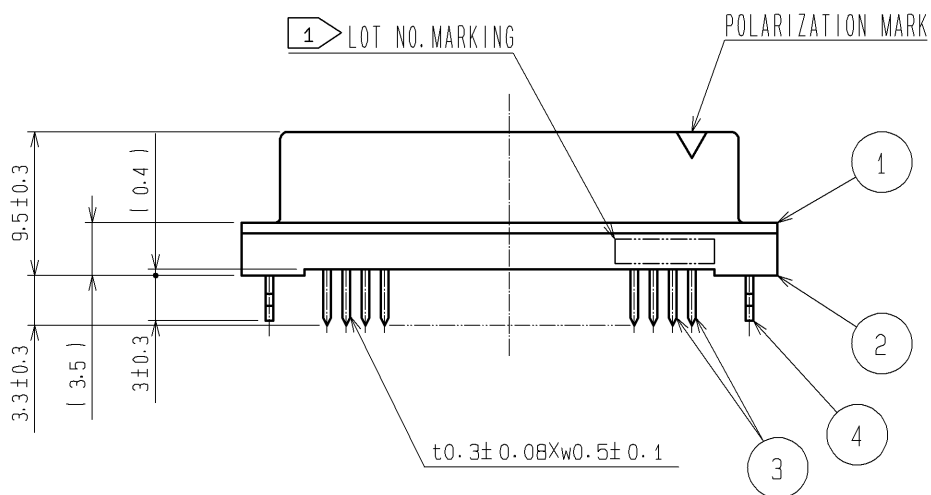
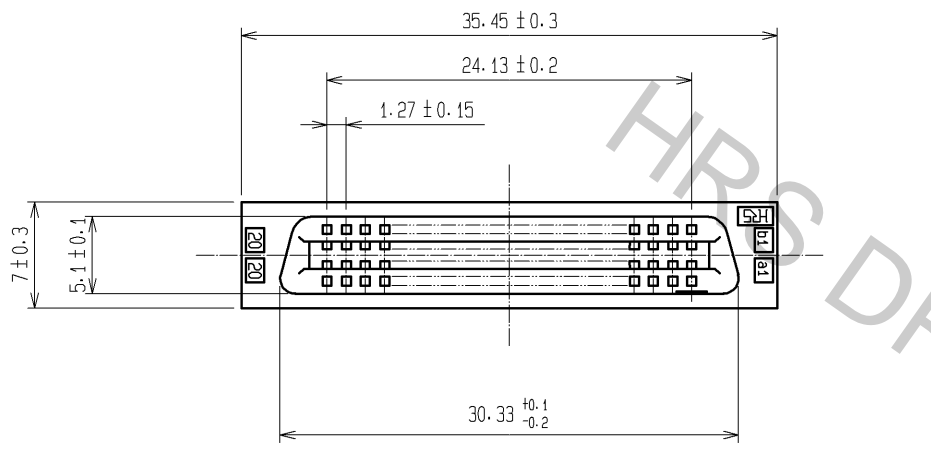
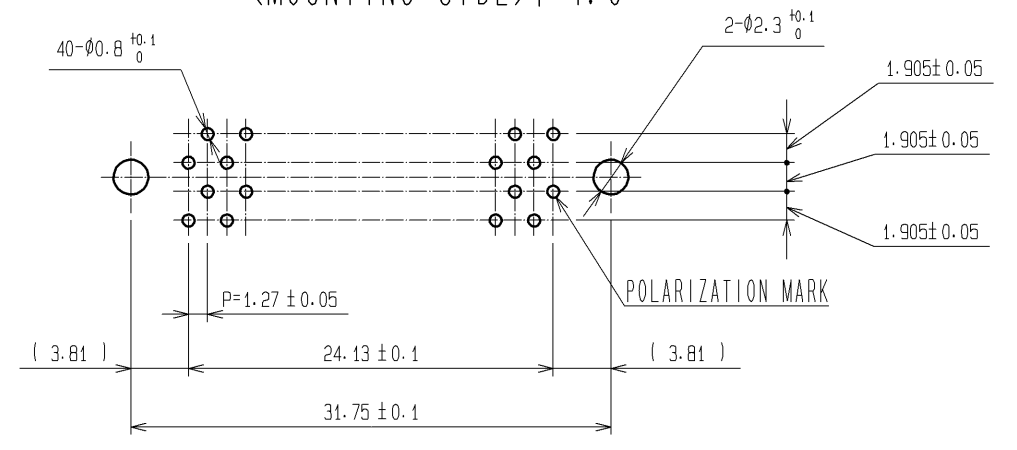


Apr.1.2017 Copyright 2017 HIROSE ELECTRIC CO., LTD. All Rights Reserved.



RECOMMENDED PC BOARD HOLE PATTERN
(MOUNTING SIDE) t=1.6



NOTES 1 LOT NO. MARKING SIDE SHALL BE OPTIONAL.
2. THE DIMENSIONS IN PARENTHESES ARE FOR REFERENCE.

4	PHOSPHOR BRONZE	TIN-PLATING	3	PHOSPHOR BRONZE	CONTACT AREA : GOLD 0.2µm min. DIP AREA : TIN-PLATING 2µm min. UNDER PLATING : NICKEL 2µm min.
1.2	POLYAMIDE	BLACK , UL94V-0			
NO.	MATERIAL	FINISH , REMARKS	NO.	MATERIAL	FINISH , REMARKS
UNITS mm		SCALE 2 : 1	COUNT 	DESCRIPTION OF REVISIONS	DESIGNED
HRS HIROSE ELECTRIC CO., LTD.		APPROVED : HS. OKAWA 07.08.10	DRAWING NO. EDC3-083189-21		CHECKED
		CHECED : HS. OZAWA 07.08.10	PART NO. FX2C-40S-1.27DSAL(71)		DATE
		DESIGNED : KY. NAKAMURA 07.08.10	CODE NO. CL572-2453-0-71		
		DRAWN : TP. MATSUMOTO 07.08.09			