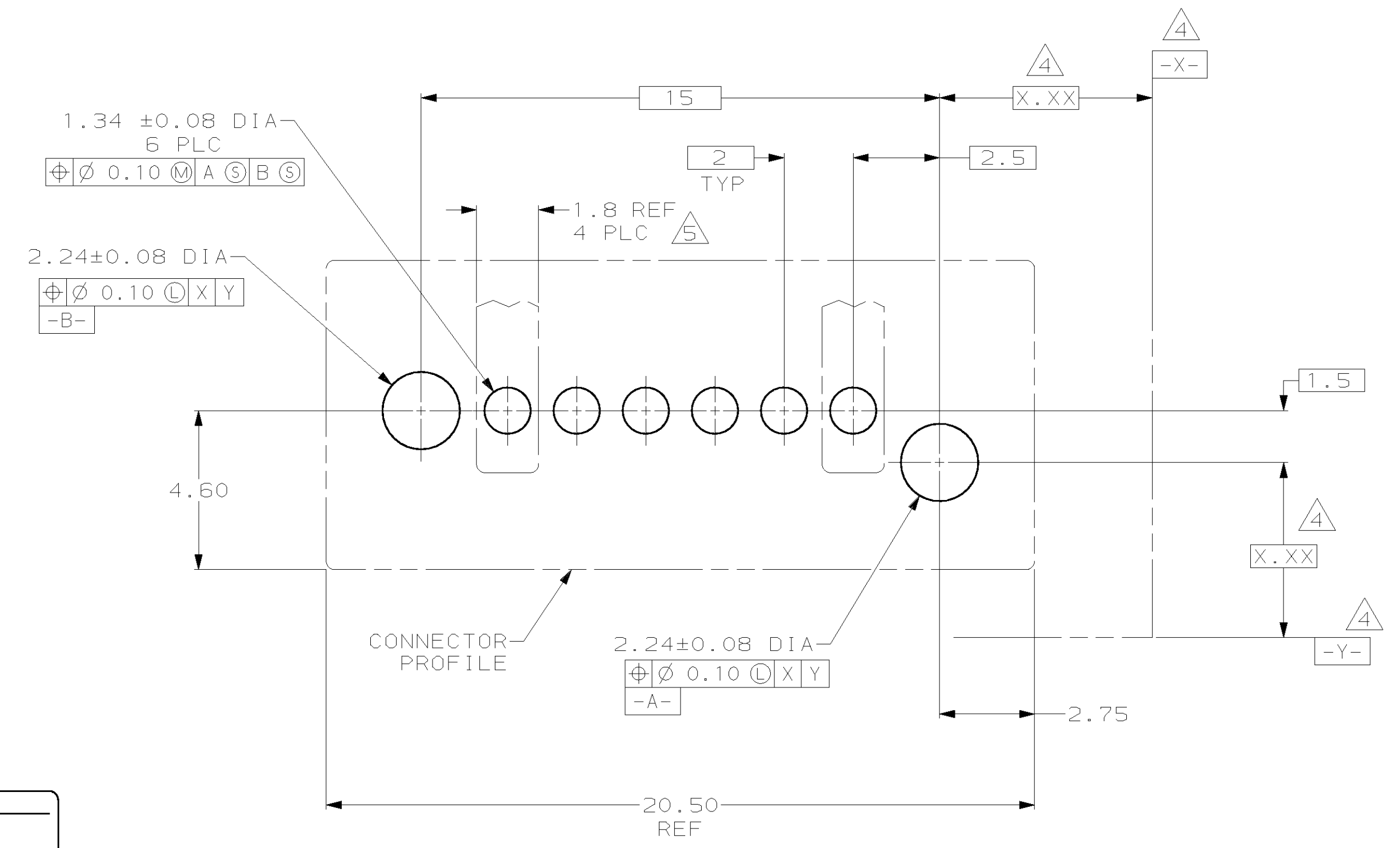
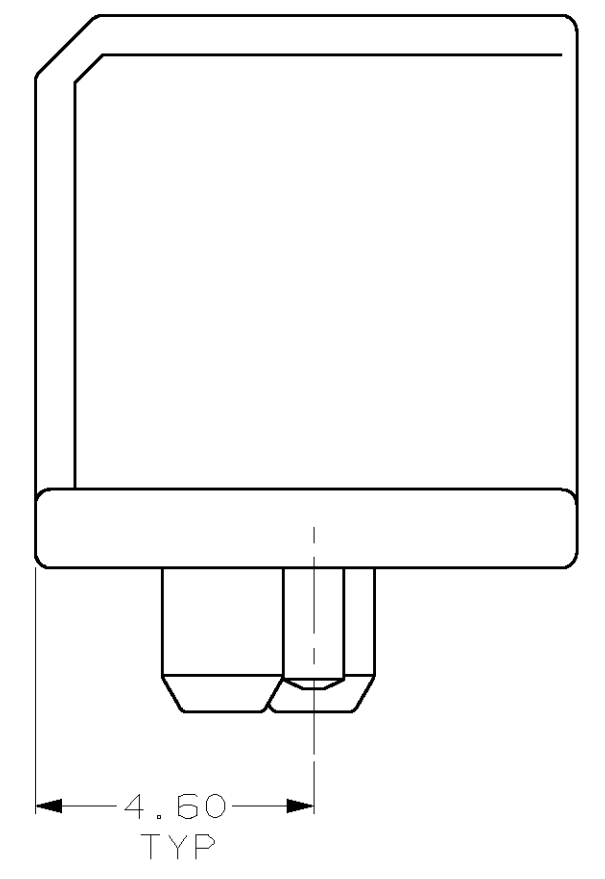
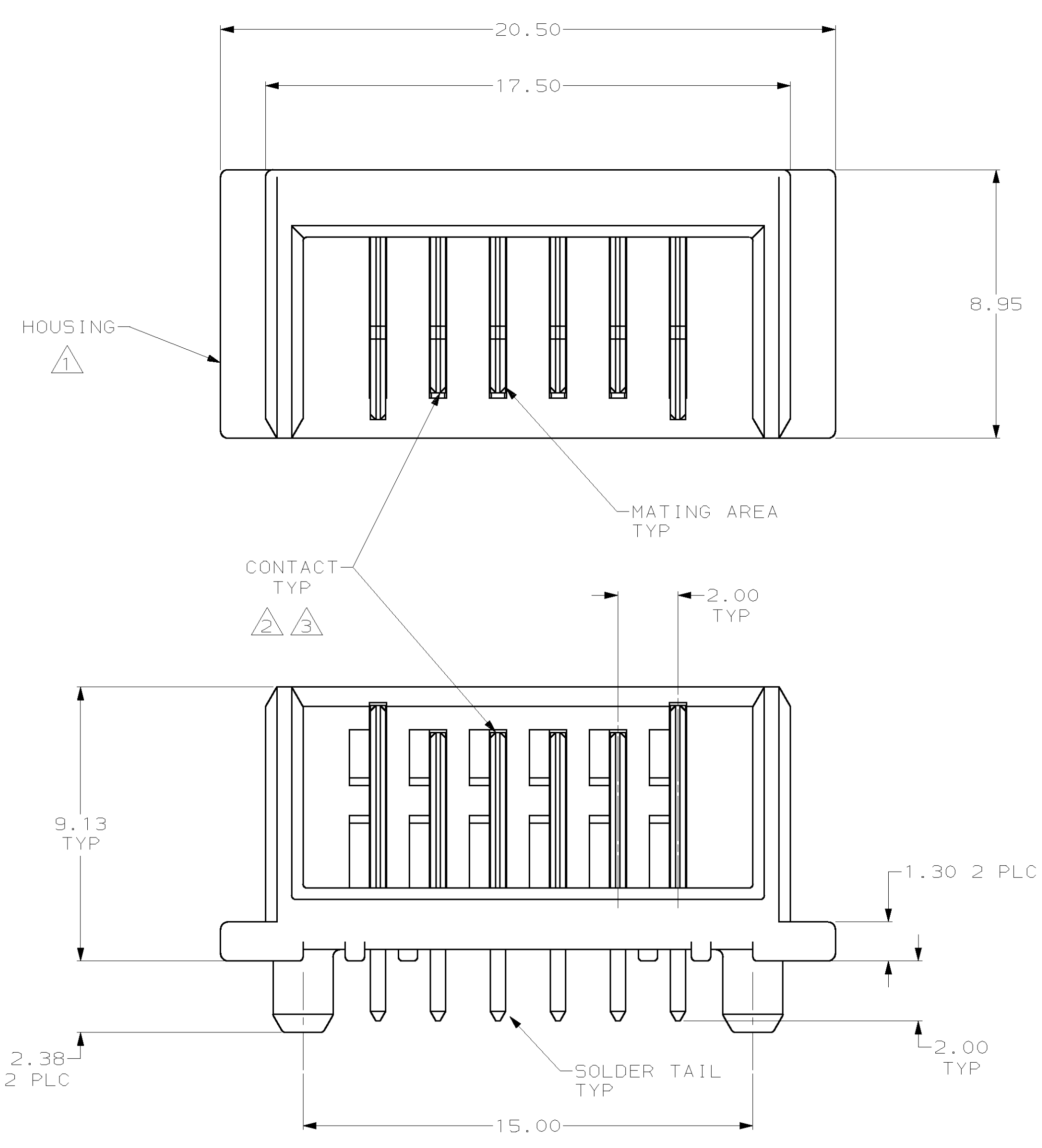


| REV | DATE                    | DESCRIPTION | DATE      | OWN | APPV |
|-----|-------------------------|-------------|-----------|-----|------|
| B   | REV PER 0410-0189-96    |             | 14 MAR 97 | JR  | CB   |
| C   | REV PER EC 061C-0036-99 |             | 29 MAR 99 | CD  | KD   |
| D   | REV PER EC 061C-0056-99 |             | 30 MAR 99 | CD  | KD   |



P.C. BOARD MOUNTING DIMENSIONS

- 1 SPS, UL 94V-0 RATED, BLACK.
- 2 BRASS.
- 3 .076µm MINIMUM GOLD OVER 0.76µm MINIMUM PALLADIUM NICKEL ON MATING AREA, 3.80µm MINIMUM TIN-LEAD ON SOLDER TAIL, ALL OVER 1.27 µm MINIMUM NICKEL.
- 4 DATUMS AND DIMENSIONS ESTABLISHED BY CUSTOMER.
- 5 RECOMMENDED MINIMUM TRACE WIDTH FOR END POSITIONS WHEN CARRYING 3 AMPS: 1.8 WIDE x 55µm THICK, BOTH SIDES.

787531-1  
PART NUMBER

|   |  |  |   |
|---|--|--|---|
| <small>THIS DRAWING IS A CONTROLLED DOCUMENT AND IS UNPUBLISHED. IT IS SUBJECT TO CHANGE AND THE CONTROLLING ENGINEERING DEPARTMENT SHALL BE CONTACTED FOR THE LATEST REVISION.</small> |  | DWN: R. S. KLINE 07-05-95<br>CHK: R. S. KLINE 07-11-95<br>APPV: R. S. KLINE 07-11-95 | <b>AMP</b><br>AMP Incorporated<br>Harrisburg, PA 17105-3608 |
| DIMENSIONS: mm<br>  | TOLERANCES UNLESS OTHERWISE SPECIFIED:<br>0 PLC ±.01<br>1 PLC ±.01<br>2 PLC ±.013<br>3 PLC ±.01<br>4 PLC ±.01<br>ANGLES ±.5° | PRODUCT SPEC: -<br>APPLICATION SPEC: -<br>WEIGHT: -                                  | SIZE: A1<br>CAGE CODE: 00779<br>DRAWING NO: C=787531        |
| MATERIAL: SEE CALLOUTS  | FINISH: SEE CALLOUTS   | REWORK: CUSTOMER DRAWING   | SCALE: 8:1<br>SHEET: 1 OF 1<br>REV: D                       |