

# RMS - SERIES

## ASSEMBLY INSTRUCTIONS FOR RACK MOUNT MULTI SHELF

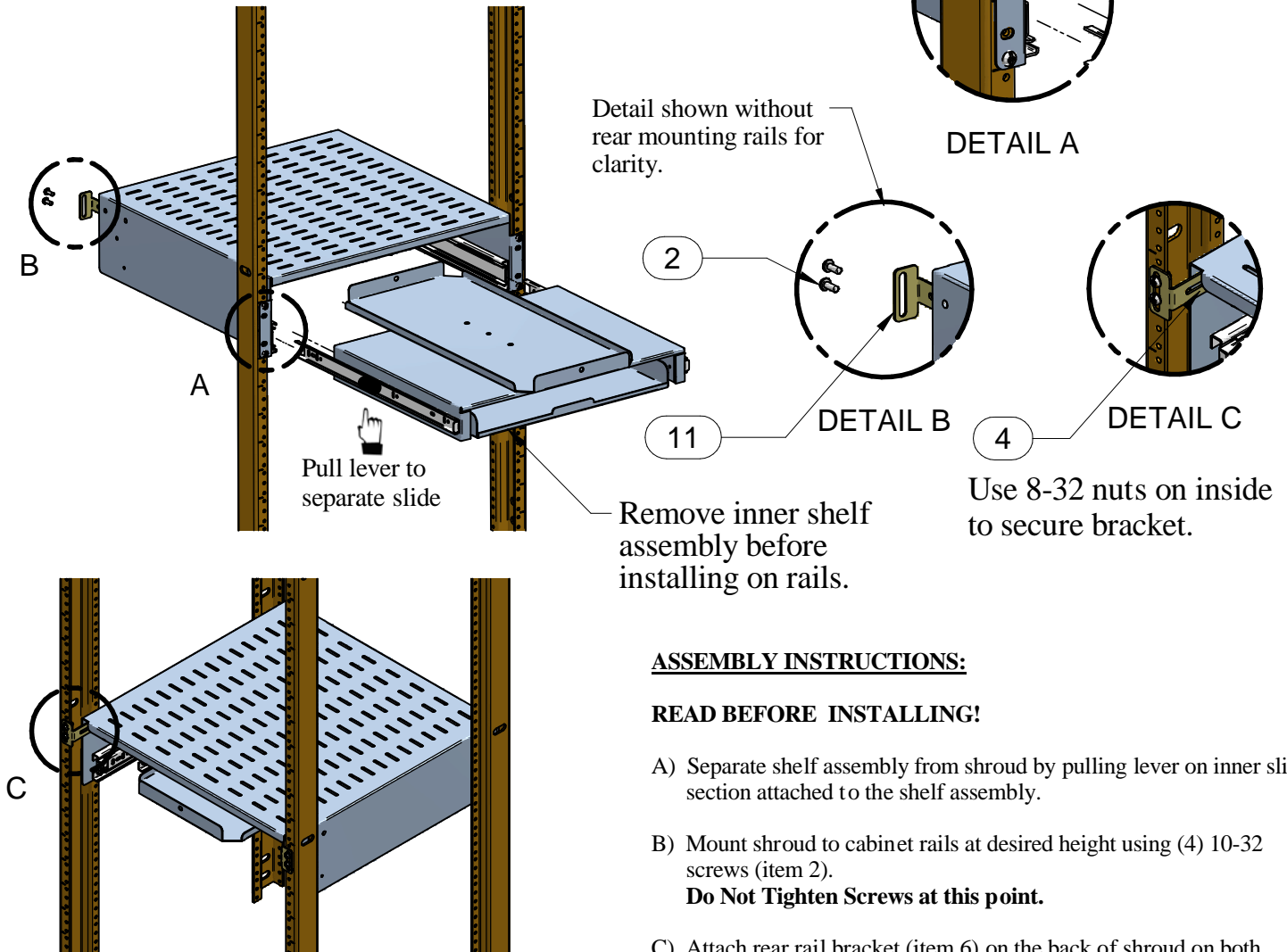
BUL10382  
REV. D  
PAGE 1 OF 2

### MOUNTING OPTIONS:

SHEET 1 - USING 4 MOUNTING RAILS.

SHEET 2 - USING 2 MOUNTING RAILS.

### MOUNTING OPTION USING 4 RAILS



VIEW FROM BACK OF SHELF

### ASSEMBLY INSTRUCTIONS:

#### READ BEFORE INSTALLING!

- Separate shelf assembly from shroud by pulling lever on inner slide section attached to the shelf assembly.
- Mount shroud to cabinet rails at desired height using (4) 10-32 screws (item 2).  
**Do Not Tighten Screws at this point.**
- Attach rear rail bracket (item 6) on the back of shroud on both sides to suit set depth between the cabinet rails and fasten using (2) 8-32 nuts (items 5) as shown. (Details B & C)
- Loosely fasten the rear brackets to the cabinet rails using the 4 remaining 10-32 screws (item 2).
- Re-install shelf assembly by lining up both halves of the slides and then pushing the shelf into the closed position.  
**Do Not Force or cause the drawer to twist when closing.**
- Tighten 10-32 screws once shelf assembly is installed.

PARTS LIST		
ITEM No.	DESCRIPTION	QTY
1	RACK MOUNT MULTI SHELF	1
2	SCREWS (10-32 X 5/8)	8
3	PAIR OF RAILS (Not Included)	-
4	SCREWS (8-32 X 5/16)	2
5	NUTS (8-32 KEP)	6
6	REAR BRACKET	2
7	FRONT SUPPORT BRACKETS	2

TOOL BOX



Phillips  
Screw Driver



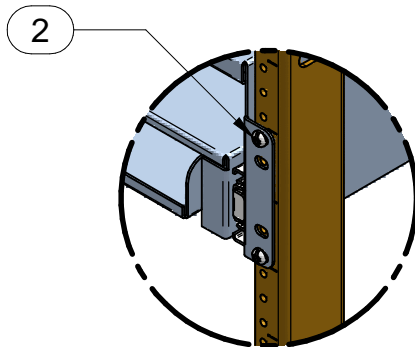
Tape  
Measure



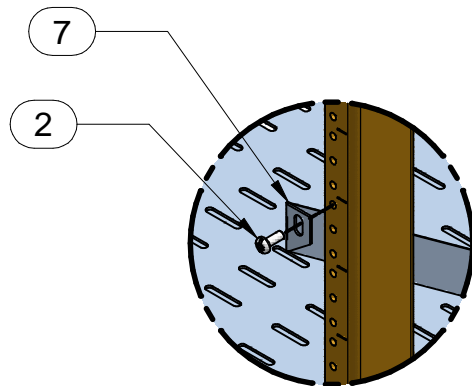
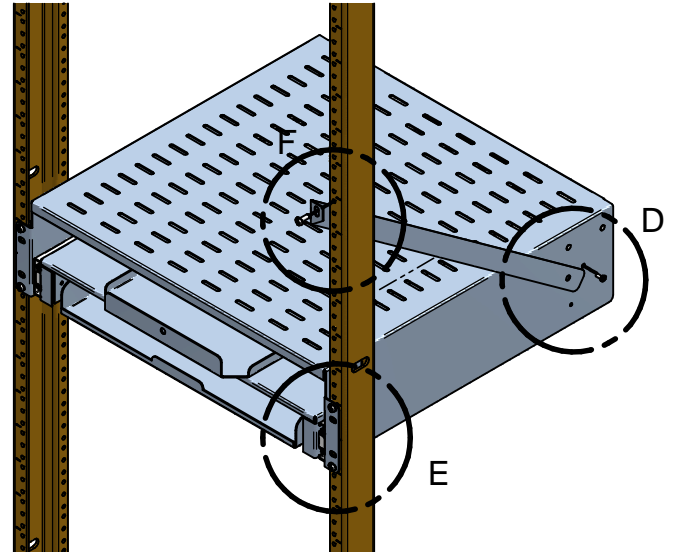
**HAMMOND  
MANUFACTURING™**  
ELECTRONICS GROUP

visit our website @ [www.hammondmfg.com](http://www.hammondmfg.com)

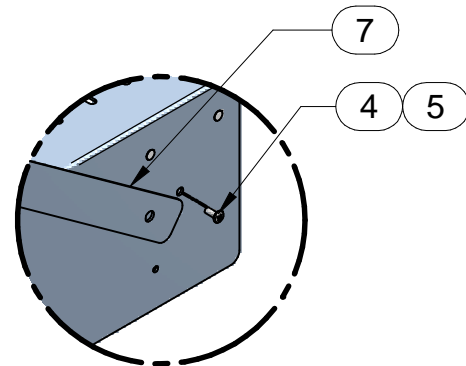
### MOUNTING OPTION USING 2 RAILS ONLY



DETAIL E



DETAIL F



DETAIL D

#### ASSEMBLY INSTRUCTIONS:

#### **READ BEFORE INSTALLING!**

- A) Separate shelf assembly from shroud by pulling lever on inner slide section attached to the shelf assembly. (See sheet 1)
- B) Mount shroud to cabinet rails at desired height using 10-32 screws (item 2). (See detail E)  
**Do Not Tighten Screws at this point.**
- C) Install support brackets to the back of the shroud using 8-32 screws & nuts (item 4 & 5). Line up opposite end of support with the mounting rail and fasten with 10-32 screws. (See details D & F)
- D) Re-install shelf assembly by lining up both halves of the slides and then pushing the shelf into the closed position.  
**Do Not Force or cause the drawer to twist when closing.**
- E) Tighten 10-32 screws once shelf assembly is installed.

