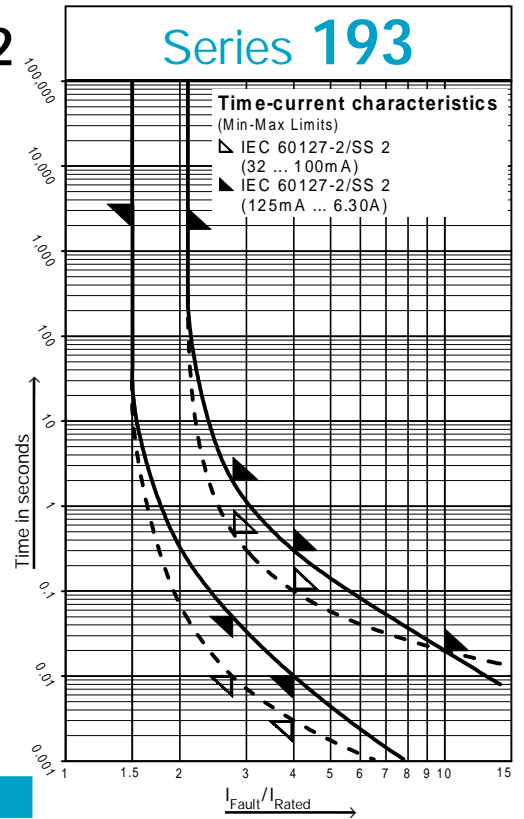
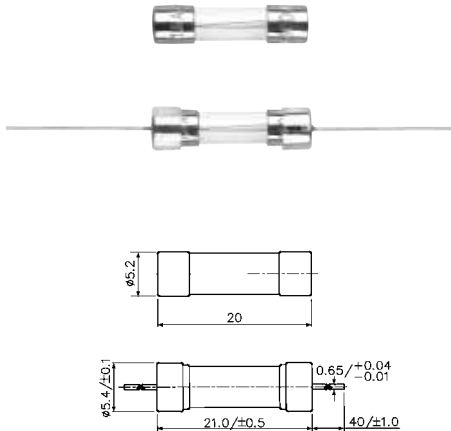


**5x20mm
Fast-Acting**

IEC 60127-2/SS 2

DIN 41 661

- **FaxBack Document # 202**
- **Glass tube**
Brass caps, nickel-plated
- **Approvals:**
VDE: File No. 45220/87867
SEMKO: File No. 8746155/9522109
cULus Recognized: File No. E 67006
- **Packaging:**
00: Bulk (1000 pcs. per Box)
02: Pack (10 pcs. per Pack)
40: Axial Leads/Bulk
43: Axial Leads/Tape & Reel (1000 pcs. per Reel)




Note: Contact WICKMANN for individual I-t curves

• Limits for Pre-arcing Time

Rated Current	150%	210%	275%	400%	1000%
32 ... 100mA	> 1h	< 30min	10 ... 500ms	3 ... 100ms	< 20ms
125mA ... 6.30A	> 1h	< 30min	50ms ... 2s	10 ... 300ms	< 20ms

Permissible continuous operating current is ≤ 100% at ambient temperature of 23°C (73.4°F).

Rated Current / Rated Voltage	Amp Code	Breaking Capacity	Voltage Drop (max) ¹ 100% x I _{Rated} (mV)	Power Dissipation (max) ¹ 150% x I _{Rated} (W)	Melting Integral (max) 1000% x I _{Rated} (A ² s) 	Approvals		
						VDE	SEMKO	cULus
32mA / 250V	0032	L ≅ 35A at 250VAC cos φ = 1.0	10000	1.6	0.002			•
40mA / •	0040		8000	1.6	0.0032			•
50mA / •	0050		7000	1.6	0.005			•
63mA / •	0063		5000	1.6	0.0079			•
80mA / •	0080		4000	1.6	0.0032	•	•	•
100mA / •	0100		3500	1.6	0.007	•	•	•
125mA / •	0125		2000	1.6	0.014	•	•	•
160mA / •	0160		2000	1.6	0.024	•	•	•
200mA / •	0200		1700	1.6	0.018	•	•	•
250mA / •	0250		1400	1.6	0.032	•	•	•
315mA / •	0315		1300	1.6	0.062	•	•	•
400mA / •	0400		1200	1.6	0.13	•	•	•
500mA / •	0500		1000	1.6	0.23	•	•	•
630mA / •	0630		650	1.6	0.44	•	•	•
800mA / •	0800		240	1.6	1	•	•	•
1.00A / •	1100		200	1.6	1.4	•	•	•
1.25A / •	1125		200	1.6	2.7	•	•	•
1.60A / •	1160		190	1.6	4.3	•	•	•
2.00A / •	1200		170	1.6	7.8	•	•	•
2.50A / •	1250		170	1.6	13	•	•	•
3.15A / •	1315	150	2.5	20	•	•	•	
4.00A / •	1400	L ≅ 40A ~	130	2.5	21	•	•	•
5.00A / •	1500	L ≅ 50A ~	130	2.5	38	•	•	•
6.30A / •	1630	L ≅ 63A ~	130	2.5	72	•	•	•

¹ values according to IEC 60127; WICKMANN values may be lower

• Order Information

Qty.	Order-Number	Series	Amp Code	Packaging
		193		0