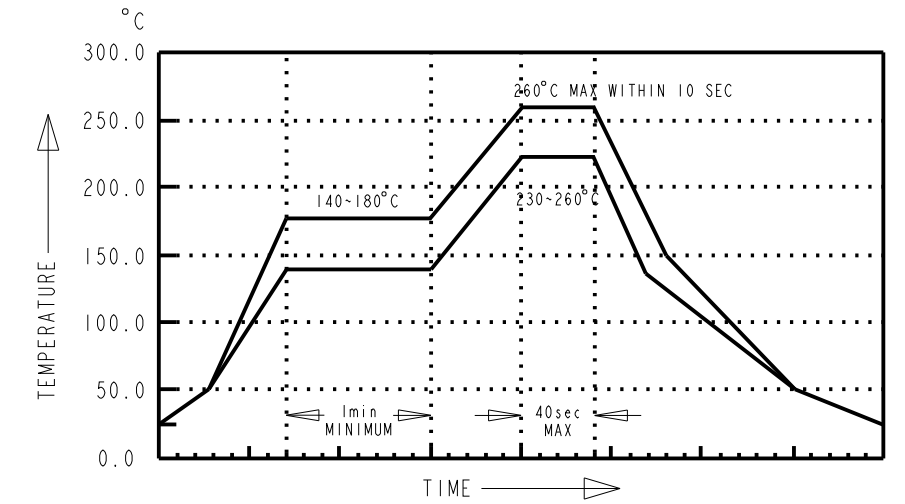
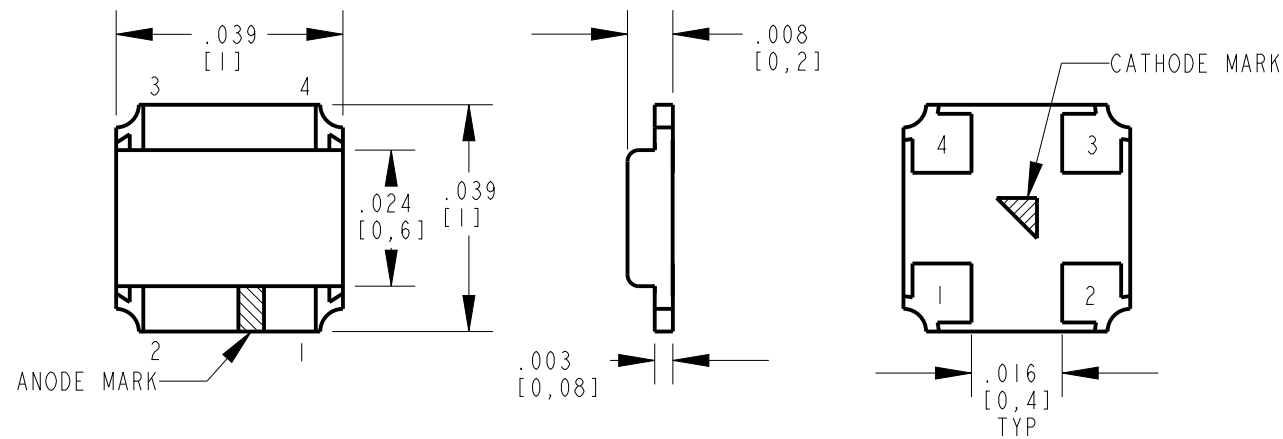


DIALIGHT PART NUMBER	COLOR	LED DIE	LED EPOXY COLOR
597-7717-502F, -507F	RED	AlGaInP	DIFFUSED WHITE
	GREEN	InGaN	
	BLUE		

### RoHS COMPLIANT 597-7717-50XF

Part Numbers with the "F" suffix ending are RoHS Compliant.  
 For example: 597-7717-502F  
 Reel and bag packaging are marked with "RoHS Compliant" label or equivalent markings. These parts can be used with RoHS reflow profile. Parts can be wave soldered, dip soldered or hand soldered using typical lead-free soldering process with max 260°C temp. for 5 sec.

REV	ECN NO	REVISIONS	DRN	CKD	APP	DATE
A		NEW RELEASE	WFB	JTD	NO	12-5-12



#### NOTES:

- DIALIGHT PART NUMBERS: 597-7717-50XF.
- TAPE & REEL MAY REQUIRE RE-TAPING AFTER 12 MONTHS.
- PIN NUMBERS ARE FOR REFERENCE ONLY. DESIGNATION NON-EXISTENT ON PART OR REEL TAPE.
- ...502F SUFFIX MEANS PARTS PACKAGED ON A 20 PC SAMPLE STRIP.  
...507F SUFFIX MEANS PARTS PACKAGED ON A 7" [Ø180mm] REEL, 5,000 PCS/REEL.
- MOISTURE SENSITIVITY LEVEL: 3
- PACKAGING TO INCLUDE LABEL CONTAINING DIALIGHT PART NUMBER, DATE CODE/LOT NO., LUMINOUS INTENSITY AND COLOR BINS, QTY/REEL, AND COUNTRY OF ORIGIN.
- THIS ASSEMBLY CONTAINS ELECTROSTATIC DISCHARGE SENSITIVE DEVICES (ESDS). MAINTAIN ALL PRECAUTIONARY MEASURES DURING ASSEMBLY, HANDLING, AND STORAGE IN ACCORDANCE WITH IPC-A-610.

#### OPERATING CHARACTERISTICS AT 25°C AMBIENT

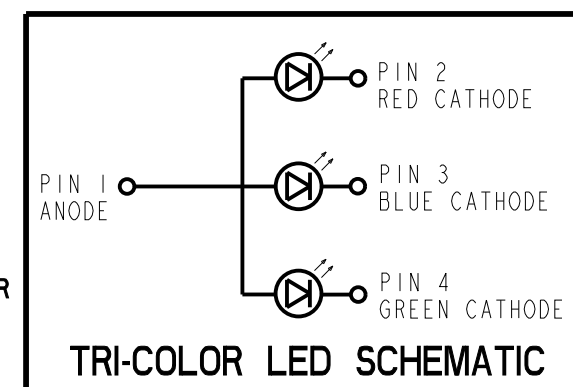
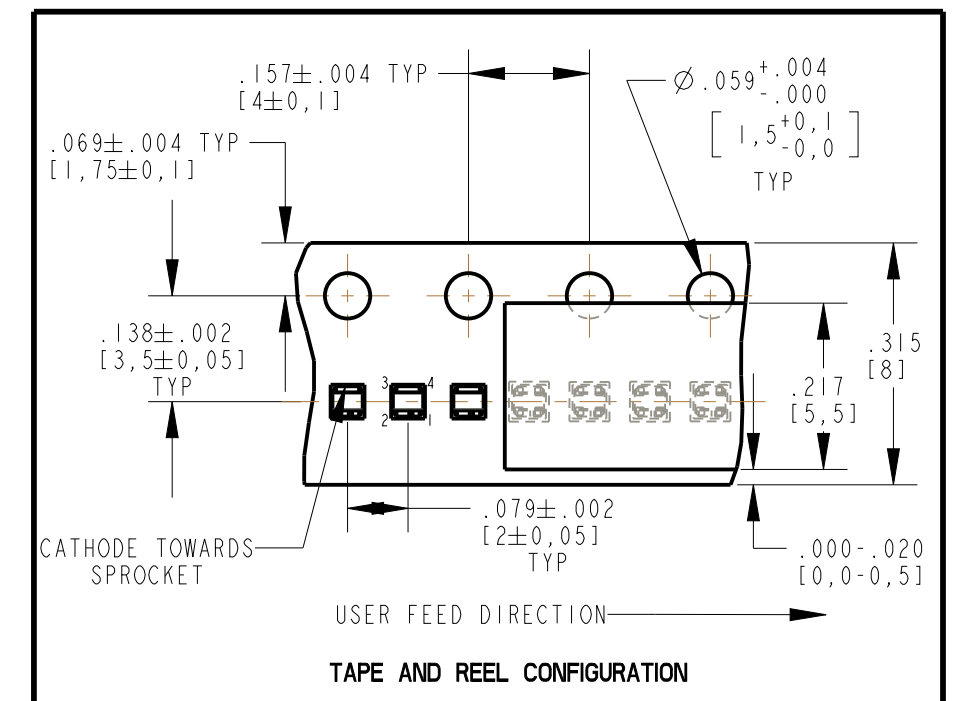
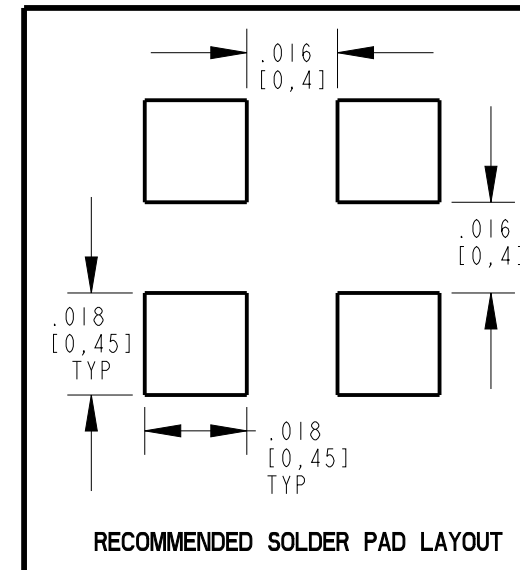
COLOR	LUMINOUS INTENSITY			FORWARD VOLTAGE		REVERSE CURRENT		DOMINANT WAVELENGTH				VIEWING ANGLE
	I <sub>F</sub>	MIN (mcd)	TYP (mcd)	I <sub>F</sub>	TYP (V)	V <sub>R</sub>	MAX (mA)	I <sub>F</sub>	MIN (nm)	TYP (nm)	MAX (nm)	TYP (DEG)
RED	5 mA	14	35	5 mA	2.2	5V	10	5 mA	619	624	629	120
GREEN		56	110		520				527	535	116	
BLUE		28	45		465				470	475	120	

#### ABSOLUTE MAXIMUM RATINGS AT 25°C AMBIENT

	COLOR			UNITS
	RED	GREEN	BLUE	
CONTINUOUS FORWARD CURRENT	20			mA
PEAK FORWARD CURRENT (LESS THAN OR EQUAL TO 1/20 DUTY CYCLE, 1kHz)	100			mA
DERATE LINEARLY FROM 40°C	0.33			mA/°C
REVERSE VOLTAGE	5			V
STORAGE TEMPERATURE	-40 TO +100			°C
OPERATING TEMPERATURE	-40 TO +85			°C



**ATTENTION:**  
OBSERVE PRECAUTIONS FOR  
HANDLING ELECTROSTATIC  
SENSITIVE DEVICES



THIS DRAWING AND THE CONTENTS HEREIN ARE CONFIDENTIAL AND THE SOLE PROPERTY OF DIALIGHT. REPRODUCTION OF THIS DRAWING OR CONSTRUCTION OF ANY PARTS WITHIN THIS DRAWING ARE FORBIDDEN WITHOUT THE WRITTEN CONSENT OF DIALIGHT.		
SCALE: 30.000 ALL DIM'S IN: INCHES (MM)	DRAWING NUMBER C-18002	REV A
TOLERANCES: UNLESS OTHERWISE SPECIFIED	TITLE 0404 TRI-COLOR SMT LED	
FRACTIONS: ±1/64 DECIMALS (.XX): ±.01 DECIMALS (.XXX): ±.004 DECIMALS (.XXXX): ±.0005 ANGLES: ±1°	MATERIAL	
FINISH:	Dialight 1501 ROUTE 34 SOUTH FARMINGDALE, NJ 07727	
FSCM 83330	SHEET 1 OF 1	FAMILY TABLE: