

5.5 GHz DUAL-SLANT POLARIZED HIGH-PERFORMANCE 90° SECTOR

The Laird Technologies SJS515090-16 5.5 GHz wide-band, dual-slant polarized 90° sector antenna covers frequencies from 5.15-5.85 GHz. Extremely low-side lobes, null fill below the horizon, and uniform energy distribution with the coverage area are achieved thanks to our highly skilled engineering staff and the utilization of our proprietary Artificial Intelligence RF Optimizing development tool. Laird Technologies' suite of high-performance sector antennas feature proprietary design elements resulting in extremely high levels of system performance and ruggedness while maintaining very slim profiles with low wind and ice loading.

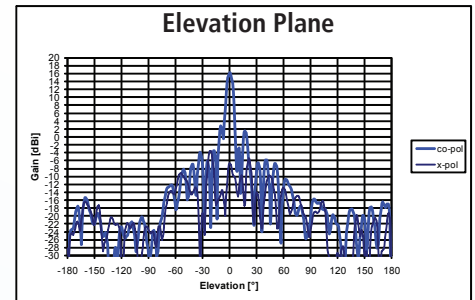
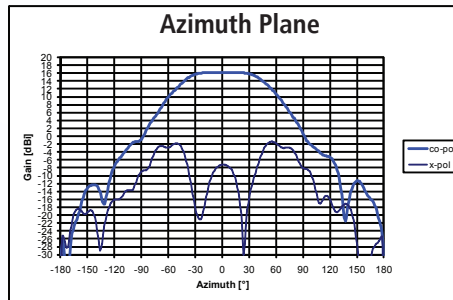
FEATURES

- 5.15-5.85 GHz full-band coverage
- Ultra low-side lobe performance
- Maximum null fill below the horizon
- Uniform cell coverage
- Rugged carrier class construction

MARKETS

- High multi-path environment
- Large carrier class deployment
- Wireless broadband service provider
- Optimized for MIMO space time processing
- WiMAX

ANTENNA PATTERNS



global solutions: local support™

Americas: +1.847.839.6907
IAS-AmericasEastSales@lairdtech.com

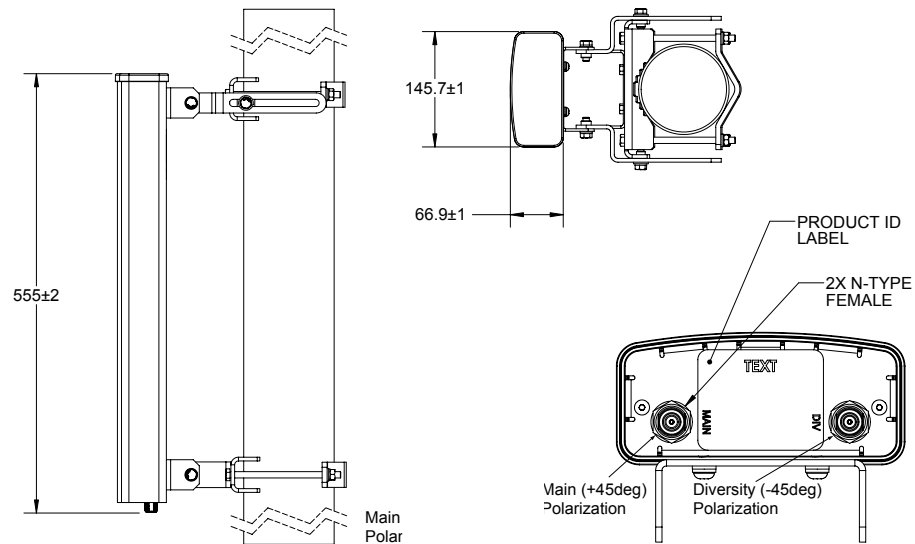
Europe: +1.32.80.7866.12
IAS-EUSales@lairdtech.com

Asia: +1.65.6.243.8022
IAS-AsiaSales@lairdtech.com

www.lairdtech.com

SPECIFICATIONS

PARAMETER	SPECIFICATIONS
Antenna part number	SJS515090-16
Frequency range	5.15-5.85 GHz
Minimum gain	15.75 dBi
Nominal gain	16.25 dBi
Peak gain	16.75 dBi typ.
VSWR	2.0:1
3 dB beamwidth- azimuth	90°
3 dB beamwidth- elevation	6.5°
Electrical downtilt	0°
Elevation null fill	down to -12°
Azimuth and elevation sidelobes	ETSI EN 302.326-3 SS2
Polarization	Dual Linear, +45°/-45°
Maximum input power	20 W average, 240 W peak
Port-to-port isolation	30 dB min
Input Impedance	50 Ohm
Front-to-Back Ratio	>30 dB
Cross-polarization	<-15 dB
Mechanical size	See drawing
Weight	2.1 kg, 4.5 kg w/ bracket kit
Connector	N-type female
Radome	ASA Gray
Pole mounting hardware	Tilt mount kit 1.5 in to 4.5 in dia.
Lightning protection	DC grounded
Degree of protection	IP54



ANT-DS-SJS515090 0611

Any information furnished by Laird Technologies, Inc. and its agents is believed to be accurate and reliable. All specifications are subject to change without notice. Responsibility for the use and application of Laird Technologies materials rests with the end user, since Laird Technologies and its agents cannot be aware of all potential uses. Laird Technologies makes no warranties as to the fitness, merchantability or suitability of any Laird Technologies materials or products for any specific or general uses. Laird Technologies shall not be liable for incidental or consequential damages of any kind. All Laird Technologies products are sold pursuant to the Laird Technologies' Terms and Conditions of sale in effect from time to time, a copy of which will be furnished upon request. © Copyright 2011 Laird Technologies, Inc. All Rights Reserved. Laird, Laird Technologies, the Laird Technologies Logo, and other marks are trade marks or registered trade marks of Laird Technologies, Inc. or an affiliate company thereof. Other product or service names may be the property of third parties. Nothing herein provides a license under any Laird Technologies or any third party intellectual property rights.