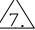
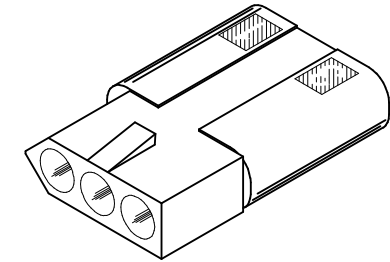
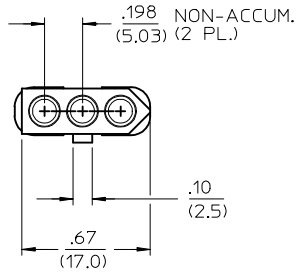
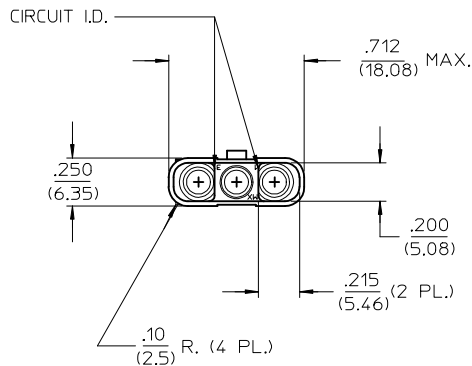
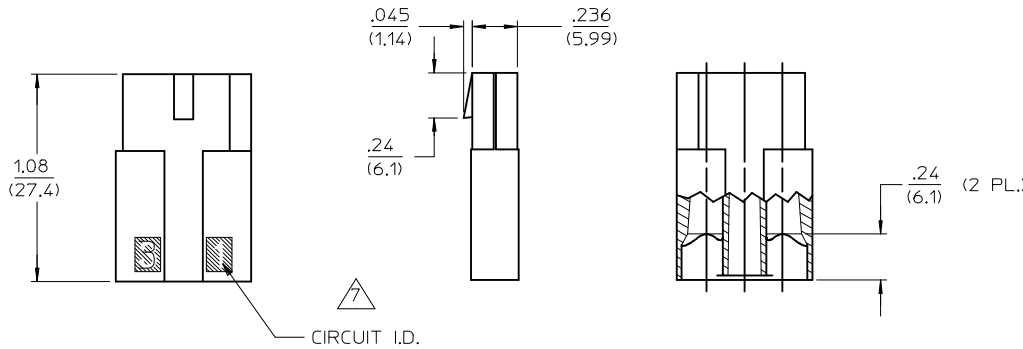


NOTES:

1. MATERIAL: A = NYLON 66, UL94V-2, COLOR: NATURAL.
2. FINISH: NONE
3. PRODUCT SPECIFICATION: NONE
4. PACKAGING SPECIFICATION: PK-6496-001.
5. THIS HOUSING IS FOR USE WITH MOLEX .093/(2.36) DIA. SERIES TERMINALS AND MATES WITH THE 1396-P* AND 42191-P* HOUSINGS.
6. THIS HOUSING IS PRIMARILY INTENDED FOR USE WITH APPLICATIONS USING 18 AWG, SPT-3 POWER CORDS. WHEN USING SPT-3 WIRE, TERMINALS CRIMPED TO THE OUTER CONDUCTORS (HAVING THE D-SHAPED INSULATION) ARE TO BE INSERTED IN CIRCUITS 1 & 3.
7.  CIRCUIT I.D. ON THIS SURFACE MAY OR MAY NOT BE PRESENT, DEPENDING ON AGE OF TOOL.
8. PARTS CONFORM TO CLASS B REQUIREMENTS OF COSMETIC SPECIFICATION PS-45499-002.



RECEPTACLE
POSITIVE LOCK RAMP VERSION
SCALE 3:1



REMOVE MATERIAL B EC NO: UCP2016-4759 DRAWING: BAPPELDORN 2016/08/22 CHKD: JAPPR:FSMITH 2016/08/23	QUALITY SYMBOLS ▽=0 ▽=0 ▽=0	GENERAL TOLERANCES (UNLESS SPECIFIED)		DIMENSION STYLE IN/MM		SCALE	DESIGN UNITS INCH	THIRD ANGLE PROJECTION	
			mm	INCH	DRAWN BY GMC	DATE 1989/10/31	TITLE .092/(2.36) HOUSING, RECEPTACLE, 3 CIRCUIT		
P3	REV	4 PLACES	± .010	± .010	CHECKED BY RW	DATE 1989/10/31	molex		SHEET NO. 1 OF 2
		3 PLACES	± .010	± .010	APPROVED BY GWF	DATE 1989/10/31			
		2 PLACES	± 0.25	± .014			DOCUMENT NO. SD-6496-3R*		
		1 PLACE	± 0.36	± .014					
		0 PLACE	±	±					
		ANGULAR ±1/2°		SEE CHART					
		DRAFT WHERE APPLICABLE MUST REMAIN WITHIN DIMENSIONS		SIZE C		THIS DRAWING CONTAINS INFORMATION THAT IS PROPRIETARY TO MOLEX INCORPORATED AND SHOULD NOT BE USED WITHOUT WRITTEN PERMISSION			

RECEPTACLE	
PART NO.	ENG. NO.
03-09-1037	6496-3RA
03-09-1030	6496-3RB
PRELIMINARY	6496-3RC

LEGEND:

6496-***-*

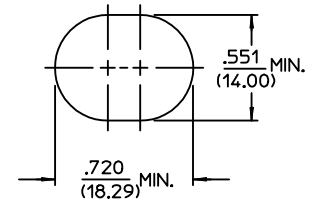
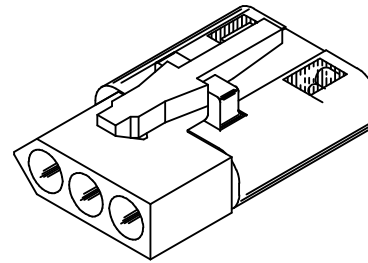
CIRCUIT SIZE

R = RECEPTACLE

VERSION

- A = WITH TOP MOUNTED THUMB LATCH
- B = WITH POSITIVE LOCK RAMP
- C = WITH BOTTOM MOUNTED THUMB LATCH

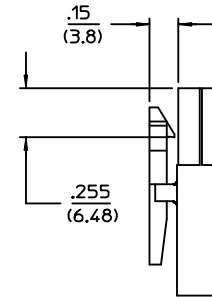
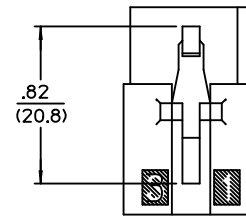
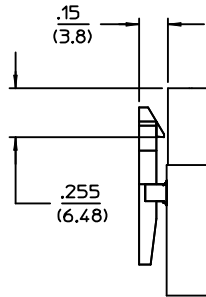
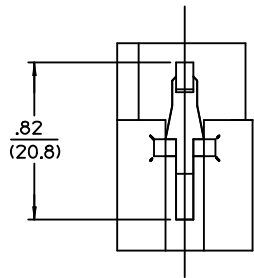
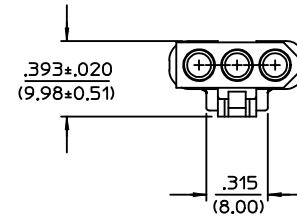
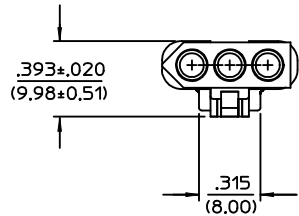
BLANK = MAT'L CODE A



RECEPTACLE

TOP MOUNTED THUMB LATCH VERSION SHOWN
SCALE 3:1

RECOMMENDED PANEL
OPENING



CIRCUIT I.D. NO'S.
ON THIS SIDE

BOTTOM MOUNTED THUMB LATCH VERSION
SEE SHEET 1 FOR OTHER DIMENSIONS

TOP MOUNTED THUMB LATCH VERSION
SEE SHEET 1 FOR OTHER DIMENSIONS

SEE SHEET 1 EC NO: UCP2016-4759 DRW: BAPPELDORN 2016/08/22 CHKD: P3 APPR: FSMITH 2016/08/23	QUALITY SYMBOLS	GENERAL TOLERANCES (UNLESS SPECIFIED)	DIMENSION STYLE	SCALE	DESIGN UNITS	THIRD ANGLE PROJECTION
	▽=0	mm INCH	IN/MM	2:1	INCH	
	▽=0	4 PLACES ± --- ± ---	DRAWN BY DATE			
	▽=0	3 PLACES ± --- ± .010	GMC 1989/10/31	TITLE		
	2 PLACES ± 0.25 ± .014	CHECKED BY DATE	.092/(2.36) HOUSING, RECEPTACLE, 3 CIRCUIT			
	1 PLACE ± 0.36 ± ---	RW 1989/10/31				
	0 PLACE ± ±	APPROVED BY DATE	molex			
		GW 1989/10/31				
	ANGULAR ±1/2°	MATERIAL NO.	DOCUMENT NO.			
	DRAFT WHERE APPLICABLE MUST REMAIN WITHIN DIMENSIONS	SEE CHART	SD-6496-3R*			
		SIZE C	THIS DRAWING CONTAINS INFORMATION THAT IS PROPRIETARY TO MOLEX INCORPORATED AND SHOULD NOT BE USED WITHOUT WRITTEN PERMISSION			