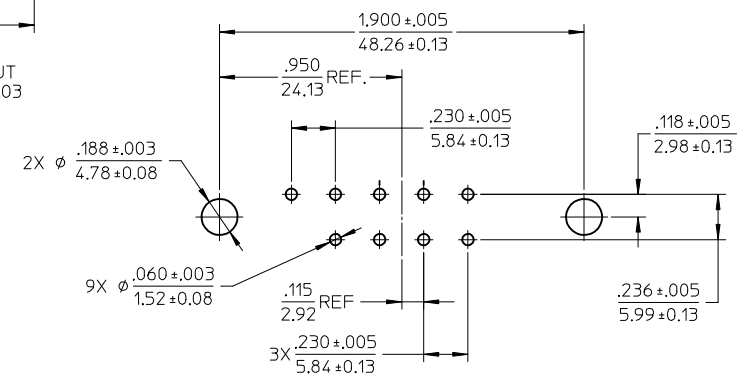
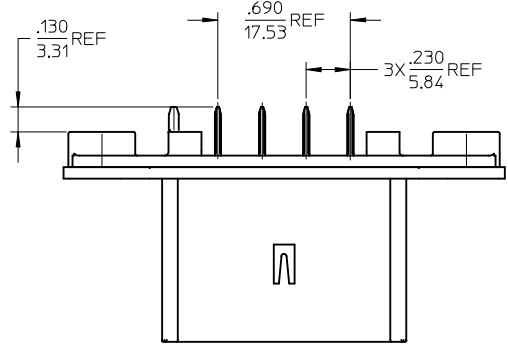
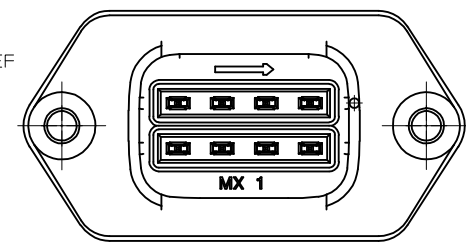
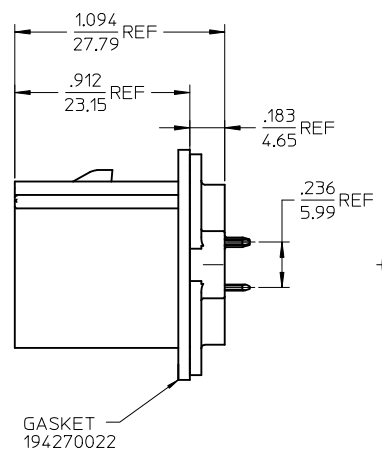
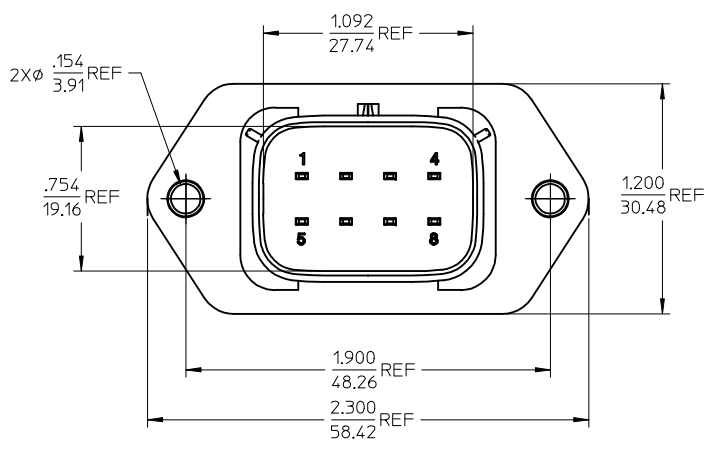


RECOMMENDED PANEL CUTOUT
 MAX PANEL THICKNESS .080/2.03



RECOMMENDED PCB LAYOUT
 COMPONENT VIEW
 TOLERANCES ARE NON-ACCUMULATIVE



MATERIAL NUMBER	TERMINAL PLATING
194280013	TIN
194280029	SELECT GOLD/TIN

- NOTES:
- MATERIALS:
 HOUSING: POLYESTER (PBT), GLASS FILLED, UL94 V-0,
 COLOR: BLACK
 TERMINALS: COPPER ALLOY
 - FINISHES: 1. TIN ONLY: 100 μ N TIN OVER 50 μ N NICKEL
 2. TIN/GOLD: 30 μ N SELECT GOLD (CONTACT MATING AREA),
 100 μ N SELECT TIN (PCB TAIL AREA) OVER 50 μ N NICKEL OVERALL.
 - PRODUCT SPECIFICATION: PS-19428-001.
 - PACKAGING SPECIFICATION: PK-19428-002.
 - MATES WITH: 19418 SERIES RECEPTACLE ASSEMBLIES.

PRODUCTION RELEASE EC NO: ETC2005-0213 DRWN: JPAWLICK 2005/06/10 CHKD: JPAWLICK 2005/06/14 APPR: RDEROSS 2005/06/14	QUALITY SYMBOLS ▽=0 ▽=0	GENERAL TOLERANCES (UNLESS SPECIFIED)		DIMENSION STYLE IN/MM		SCALE 2:1	DESIGN UNITS INCH	THIRD ANGLE PROJECTION	
		4 PLACES \pm --- \pm --- 3 PLACES \pm --- \pm .015 2 PLACES \pm 0.38 \pm --- 1 PLACE \pm --- \pm ---	mm INCH DRAWN BY BRUPERT DATE 04/06/16 CHECKED BY JPAWLICK DATE 04/06/16 APPROVED BY RDEROSS DATE 04/06/16	TITLE 8-WAY STRAIGHT HEADER ASSEMBLY, SHORT VERSION					
		DRAFT WHERE APPLICABLE MUST REMAIN WITHIN DIMENSIONS		MATERIAL NO. SEE CHART		DOCUMENT NO. SD-19428-005		SHEET NO. 1 OF 1	
		THIS DRAWING CONTAINS INFORMATION THAT IS PROPRIETARY TO MOLEX INCORPORATED AND SHOULD NOT BE USED WITHOUT WRITTEN PERMISSION							