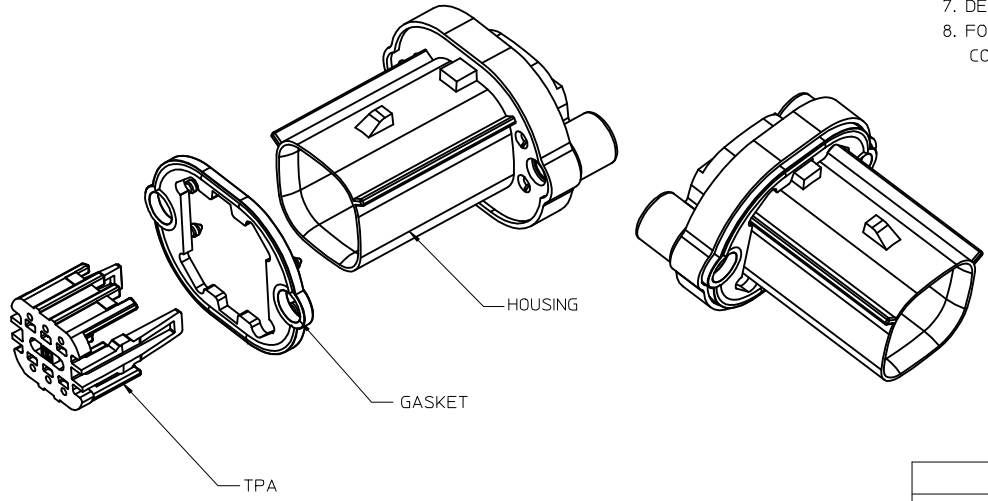


TABLE OF CONTENTS	
SHEET 1	NOTES, ISO VIEW
SHEET 2	BOM, POLARIZATION
SHEET 3	DETAIL VIEWS AND SECTIONS

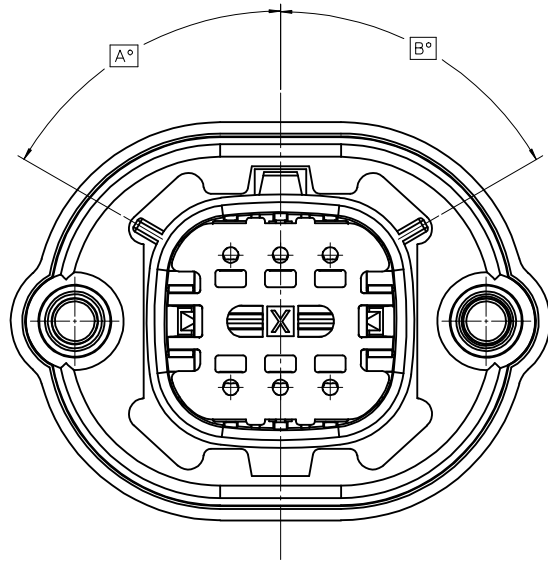
NOTES: VALID UNLESS OTHERWISE SPECIFIED

- APPLICATION SPECIFICATION SEE: AS-148028-001
- PRODUCT SPECIFICATION SEE: PS-148028-001
- PACKAGING SPECIFICATION PER MOLEX DRAWING: PK-148028-0001
- PARTS MUST BE IN COMPLIANCE TO MOLEX CHEMICAL SUBSTANCES FOR PRODUCTS AND PACKAGING SPECIFICATION: ES-40000-5016
- MATERIAL:
 - HOUSING: PA6, 40% GLASS FILLED
 - TPA: SPS/NYLON BLEND, 20% GLASS FILLED
 - GASKET: SILICONE
- SHIPPED PART WITH GASKET AND TPA IN PRE-LOCK POSITION
- DESIGNED TO MATE WITH MX150 RECEPTACLE CONNECTOR ASSEMBLY
- FOR ESSENTIAL PARTS (TERMINALS, WIRES ETC.) AND INSTALLATION TO COMPLETE ASSEMBLY SEE MOLEX PRODUCT SPECIFICATION PS-33472-000



C	RESIN CHANGED TO PA6 GF40 FROM PBT GF15
B	UPDATE 2X3 POL A TO TOOLED UPDATE OTHER PARTS STATUS TO OK TO TOOL UPDATE POL D COLOR TO STONE GRAY
A	INITIAL RELEASE
REV	DESCRIPTION

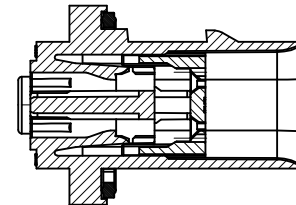
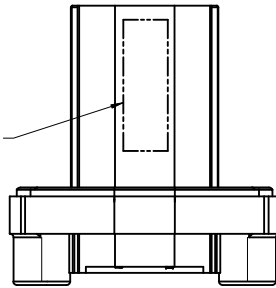
INSPECTION BALLOON NUMBER LOG										
PER DRAWING REVISION: C										
LAST BALLOON NUMBER USED: 5										
ADDED BALLOON NUMBERS:										
REMOVED BALLOON NUMBERS:										
REVISED	EC NO: GCA2016-0186	QUALITY SYMBOLS	GENERAL TOLERANCES (UNLESS SPECIFIED)		DIMENSION STYLE		SCALE	DESIGN UNITS	THIRD ANGLE PROJECTION	
	DRWN: CDZHANG	▽=0	mm	INCH	MM ONLY		2:1	METRIC	MX150 DUAL ROW PANEL MOUNT CONNECTOR	
	CHKD: CDZHANG	▽=0	4 PLACES ±	±	DRAWN BY	DATE	TITLE			
	APPR: JDENG02	▽=0	3 PLACES ±	±	CDZHANG	2014/06/23				
		▽=0	2 PLACES ±	±	CHECKED BY	DATE				
	▽=0	1 PLACE ±	±	JDENG02	2014/12/19					
		0 PLACE ±	±	APPROVED BY	DATE					
				CBQIU	2015/03/30					
			ANGULAR ±		MATERIAL NO.		DOCUMENT NO.		SHEET NO.	
			DRAFT WHERE APPLICABLE MUST REMAIN WITHIN DIMENSIONS		ON SHEET 2		SD-148028-001		1 OF 3	
			THIS DRAWING CONTAINS INFORMATION THAT IS PROPRIETARY TO MOLEX INCORPORATED AND SHOULD NOT BE USED WITHOUT WRITTEN PERMISSION							



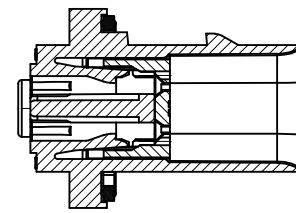
CIRCUIT SIZE	PART NUMBER	KEYING OPTION	COLOR	DIMENSIONS		STATUS
				A	B	
2X3	1480280601	A	BLACK	60	60	TOOLED
	1480280602	B	LIGHT GRAY	25	60	OK TO TOOL
	1480280603	C	DARK GRAY	60	25	OK TO TOOL
	1480280604	D	STONE GRAY	25	25	OK TO TOOL
2X4	1480280801	A	BLACK	60	60	OK TO TOOL
	1480280802	B	LIGHT GRAY	25	60	OK TO TOOL
	1480280803	C	DARK GRAY	60	25	OK TO TOOL
	1480280804	D	STONE GRAY	25	25	OK TO TOOL

REVISED EC NO: GCA2016-0186 DRWN: CDZHANG 2016/05/19 CHKD: APPR: JDENG02 2016/06/08 REV:	QUALITY SYMBOLS	GENERAL TOLERANCES (UNLESS SPECIFIED)	DIMENSION STYLE	SCALE	DESIGN UNITS	THIRD ANGLE PROJECTION																																					
	$\nabla=0$ $\nabla=0$ $\nabla=0$	<table border="1"> <tr> <th></th> <th>mm</th> <th>INCH</th> </tr> <tr> <td>4 PLACES</td> <td>±---</td> <td>±---</td> </tr> <tr> <td>3 PLACES</td> <td>±---</td> <td>±---</td> </tr> <tr> <td>2 PLACES</td> <td>±---</td> <td>±---</td> </tr> <tr> <td>1 PLACE</td> <td>±---</td> <td>±---</td> </tr> <tr> <td>0 PLACE</td> <td>±---</td> <td>±---</td> </tr> </table>		mm	INCH	4 PLACES	±---	±---	3 PLACES	±---	±---	2 PLACES	±---	±---	1 PLACE	±---	±---	0 PLACE	±---	±---	<table border="1"> <tr> <th>mm ONLY</th> <th>DATE</th> <th>TITLE</th> </tr> <tr> <td>DRAWN BY</td> <td>2014/06/23</td> <td rowspan="2">MX150 DUAL ROW PANEL MOUNT CONNECTOR</td> </tr> <tr> <td>CDZHANG</td> <td></td> </tr> <tr> <td>CHECKED BY</td> <td>2014/12/19</td> <td rowspan="2">molex</td> </tr> <tr> <td>JDENG02</td> <td></td> </tr> <tr> <td>APPROVED BY</td> <td>2015/03/30</td> <td>DOCUMENT NO.</td> </tr> <tr> <td>CBOIU</td> <td></td> <td>SD-148028-001</td> </tr> </table>	mm ONLY	DATE	TITLE	DRAWN BY	2014/06/23	MX150 DUAL ROW PANEL MOUNT CONNECTOR	CDZHANG		CHECKED BY	2014/12/19	molex	JDENG02		APPROVED BY	2015/03/30	DOCUMENT NO.	CBOIU		SD-148028-001	4:1	METRIC	
		mm	INCH																																								
	4 PLACES	±---	±---																																								
3 PLACES	±---	±---																																									
2 PLACES	±---	±---																																									
1 PLACE	±---	±---																																									
0 PLACE	±---	±---																																									
mm ONLY	DATE	TITLE																																									
DRAWN BY	2014/06/23	MX150 DUAL ROW PANEL MOUNT CONNECTOR																																									
CDZHANG																																											
CHECKED BY	2014/12/19	molex																																									
JDENG02																																											
APPROVED BY	2015/03/30	DOCUMENT NO.																																									
CBOIU		SD-148028-001																																									
	ANGULAR ±---°	DRAFT WHERE APPLICABLE MUST REMAIN WITHIN DIMENSIONS	SEE TABLE			SHEET NO. 2 OF 3																																					
			SIZE A2	THIS DRAWING CONTAINS INFORMATION THAT IS PROPRIETARY TO MOLEX INCORPORATED AND SHOULD NOT BE USED WITHOUT WRITTEN PERMISSION																																							

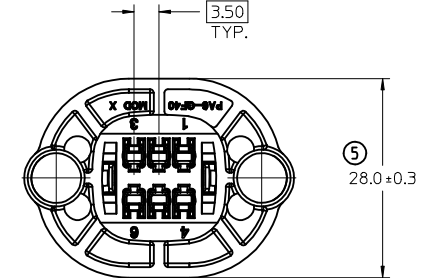
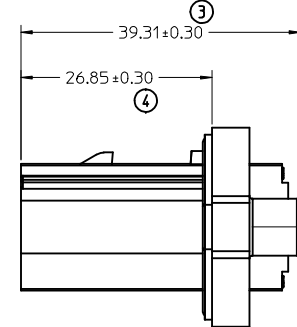
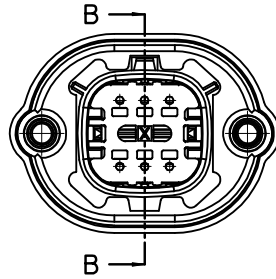
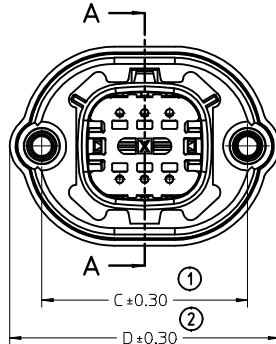
TRACEABILITY INFORMATION
LOCATION IN THIS AREA



SECTION A-A
(TPA SHOWN IN PRE-LOCK POSITION
FOR REFERENCE ONLY)



SECTION B-B
(TPA SHOWN IN FINAL-LOCK POSITION
FOR REFERENCE ONLY)



CIRCUIT SIZE	DIMENSION	
	C	D
2X3	28.94	37.94
2X4	32.44	41.44

REVISED EC NO: GCA2016-0186 DRAWN: CDZHANG 2016/05/19 CHKC: APPR: JDENG02 2016/06/08 DESCRIPTION	QUALITY SYMBOLS	GENERAL TOLERANCES (UNLESS SPECIFIED)	DIMENSION STYLE	SCALE	DESIGN UNITS	THIRD ANGLE PROJECTION
	▽=0	mm INCH	MM ONLY	2:1	METRIC	
	▽=0	4 PLACES ±--- ±---	DRAWN BY DATE	TITLE		
	▽=0	3 PLACES ±--- ±---	CDZHANG 2014/06/23	MX150 DUAL ROW PANEL MOUNT CONNECTOR		
	2 PLACES ±--- ±---	CHECKED BY DATE	MATERIAL NO.			
	1 PLACE ±--- ±---	JDENG02 2014/12/19	ON SHEET 2			
	0 PLACE ±--- ±---	APPROVED BY DATE	DOCUMENT NO.			
	ANGULAR ±---°	CBQIU 2015/03/30	SD-148028-001			
	DRAFT WHERE APPLICABLE MUST REMAIN WITHIN DIMENSIONS		SHEET NO. 3 OF 3			
			THIS DRAWING CONTAINS INFORMATION THAT IS PROPRIETARY TO MOLEX INCORPORATED AND SHOULD NOT BE USED WITHOUT WRITTEN PERMISSION			