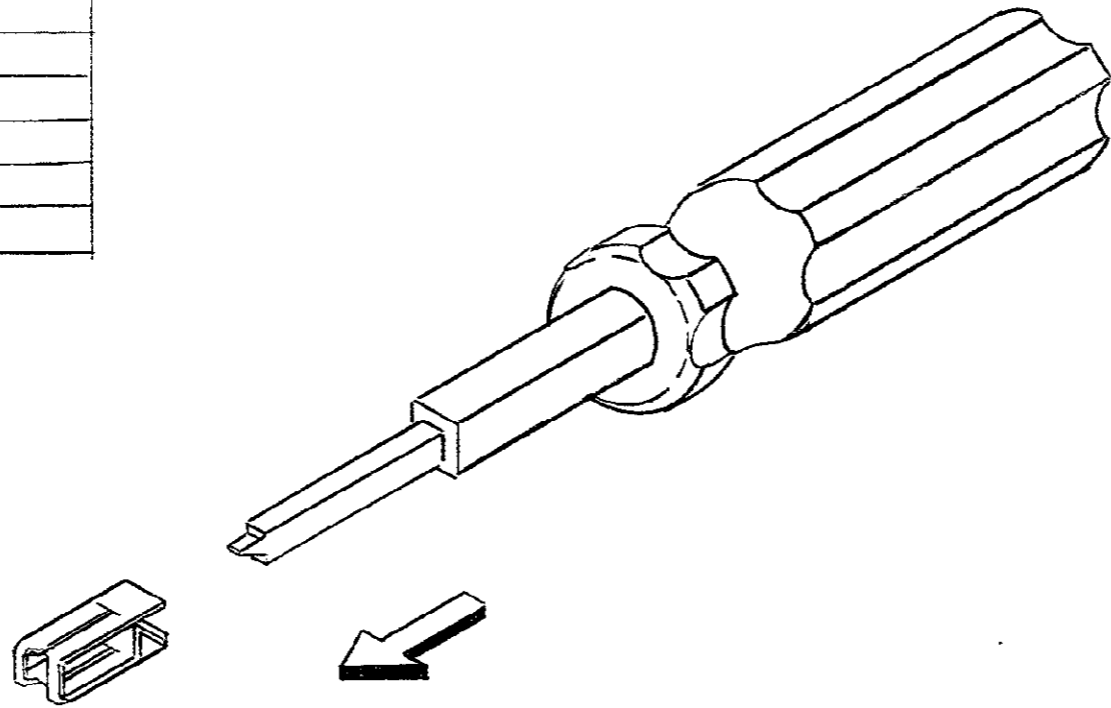


DRAWING MADE IN THIRD ANGLE PROJECTION

© COPYRIGHT 1977, 80 BY AMP INCORPORATED, HARRISBURG, PA.
 ALL INTERNATIONAL RIGHTS RESERVED. AMP INCORPORATED PRODUCTS
 COVERED BY U. S. AND FOREIGN PATENTS AND/OR PATENTS PENDING.

				1	LOC A	DIST ✓
REVISIONS						
P	F	ZONE	LTR	DESCRIPTION	DATE	APPROVED
✓			A2	REDRAWN w/o CHANGE	5/7/80	SC

D	274250-1	274250-2
	INSERTS TERMINALS	
	62348	62420
	62381	62524
	62404	62833
	62421	62912
	62429	62935
	62431	
	62455	
	62456	
C	62525	
	62526	
	62527	
	62528	



TOOL, INSERTION, MAGNET WIRE TERMINAL, POKE-IN				SEE TABLE
DESCRIPTION				PART NO
UNLESS OTHERWISE SPECIFIED DIMENSIONS ARE IN INCHES. TOLERANCES ON: DECIMALS ± # ANGLES ± #	CONTRACT NO	AMP AMP INCORPORATED Harrisburg, Pa.		
	DR <i>Sue Catalano</i> 4-24-80	NAME TOOL, INSERTION, MAG. WIRE TERMINAL (M.W.I.S.)		
MATERIAL HANDLE-PLASTIC SHANK-STEEL	CHK <i>JRG</i>	APPD	SIZE B	CODE IDENT NO 00779
FINISH HANDLE-BLACK SHANK-BLACKEN	APPR <i>M. L. Hughes</i>	DSGN APPD	DRAWING NO 274250	SCALE <i>H</i>
	OTHER APPD <i>M. L. Hughes 5/7/80</i>		SHEET 1 OF 1	