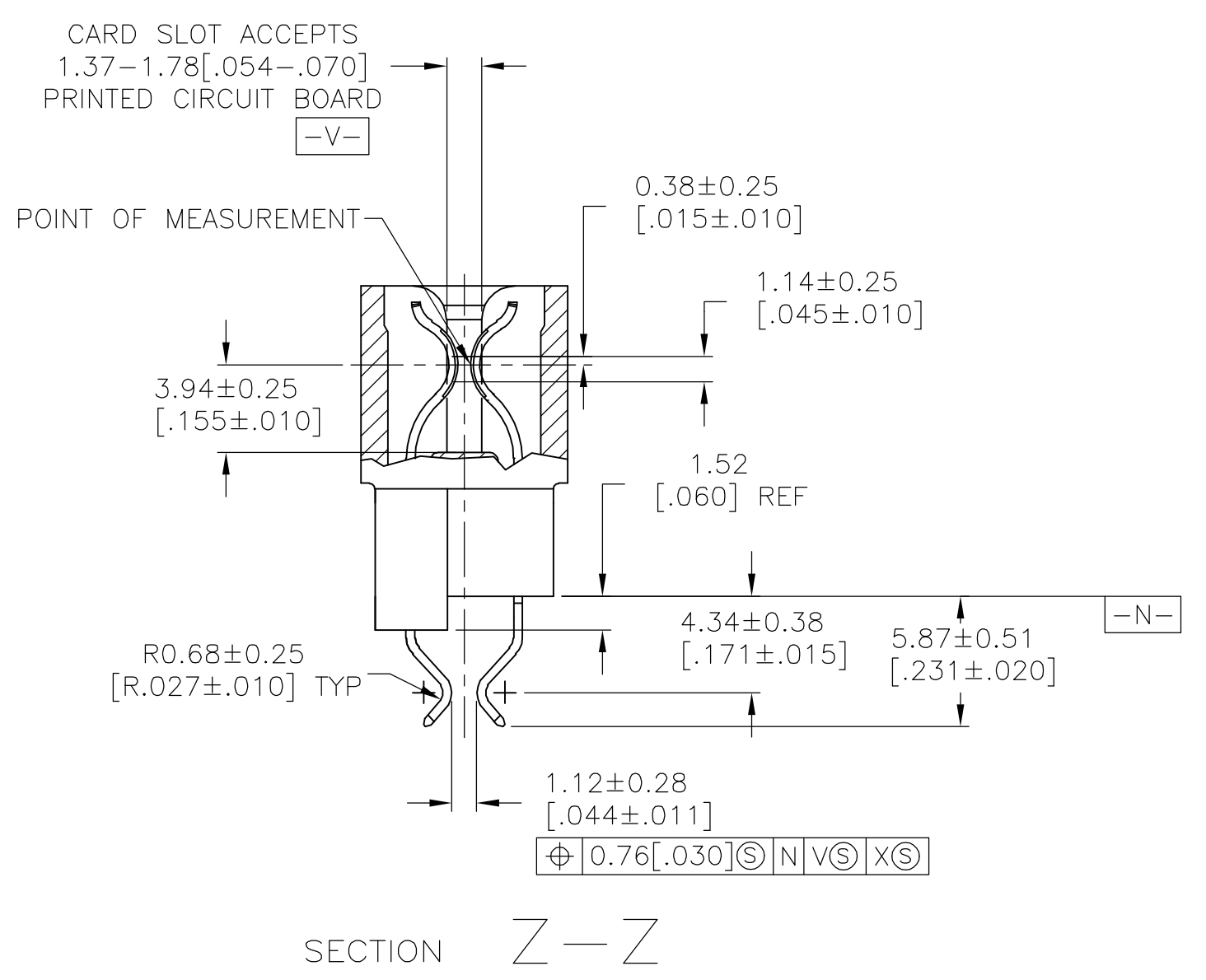


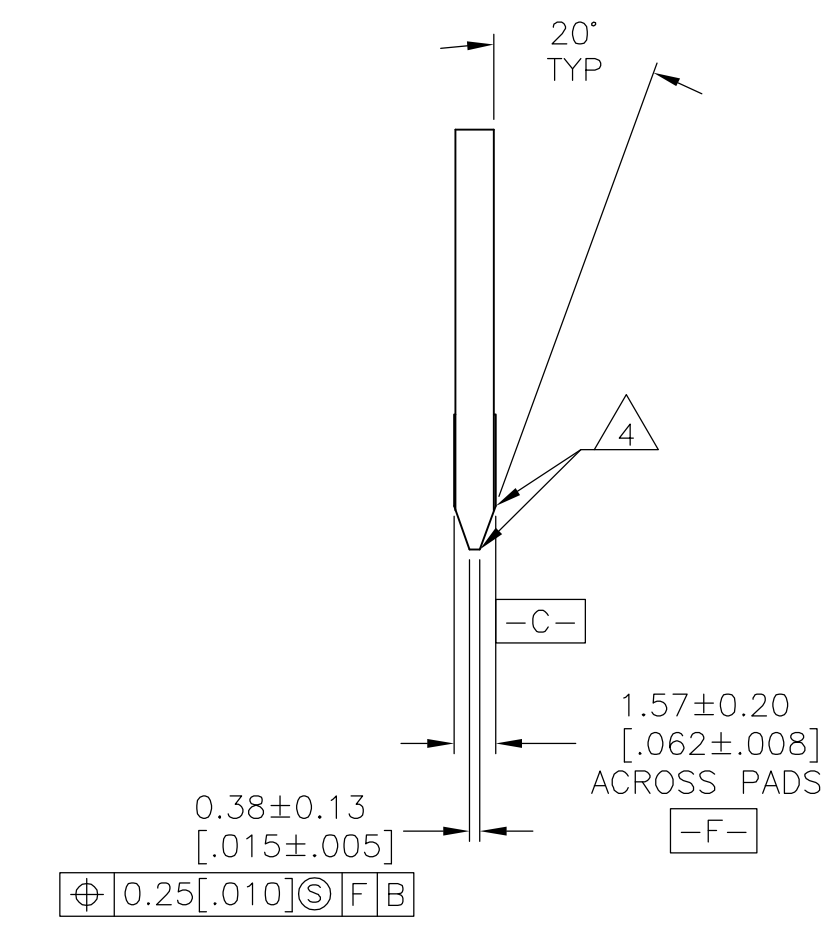
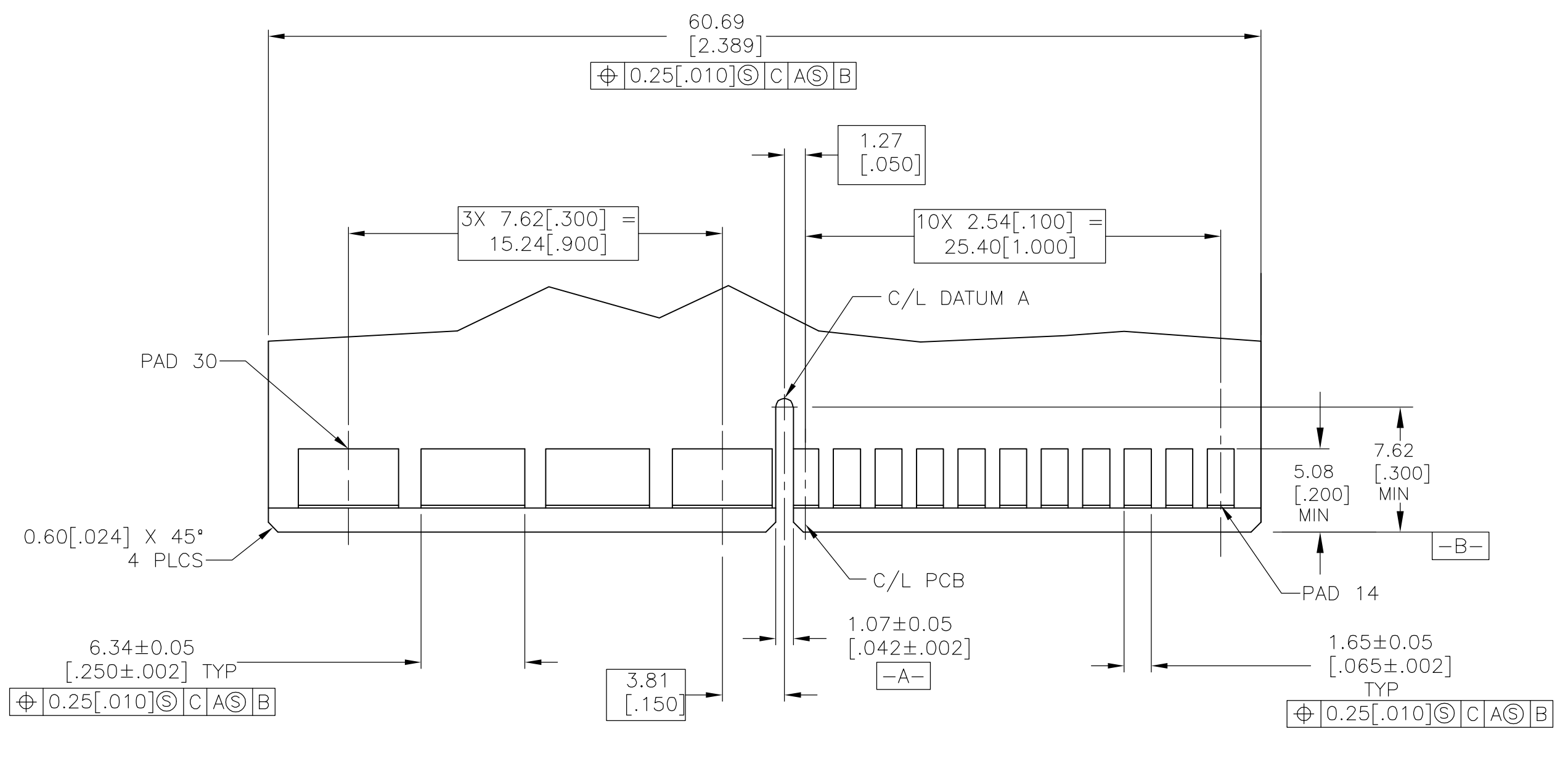
- △ HOUSING MATERIAL: GLASS FILLED POLYESTER, COLOR: BLACK
- △ CONTACT FINISH: NICKEL PLATE, .00127 [.000050] MIN, ALL OVER
 MATTE TIN PLATE, .00254 [.000100] MIN ON SOLDER POSTS,
 GOLD PLATE, .00076 [.000030] MIN IN MATING INTERFACE
- △ AMP PART NUMBER AND DATE CODE MARKED IN APPROXIMATE AREA SHOWN
- △ NO BURRS AND/OR SHARP EDGES ARE PERMISSABLE



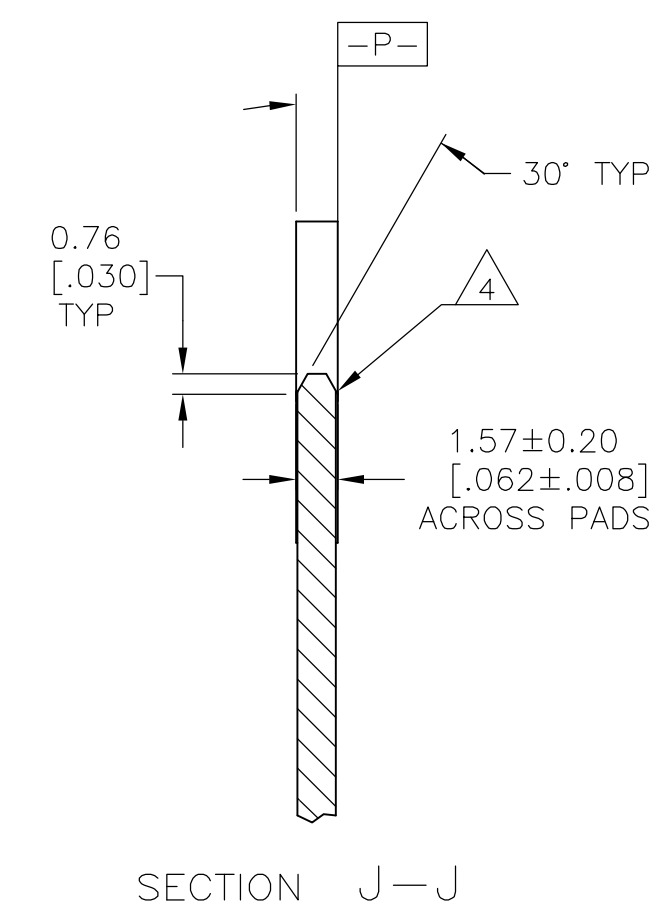
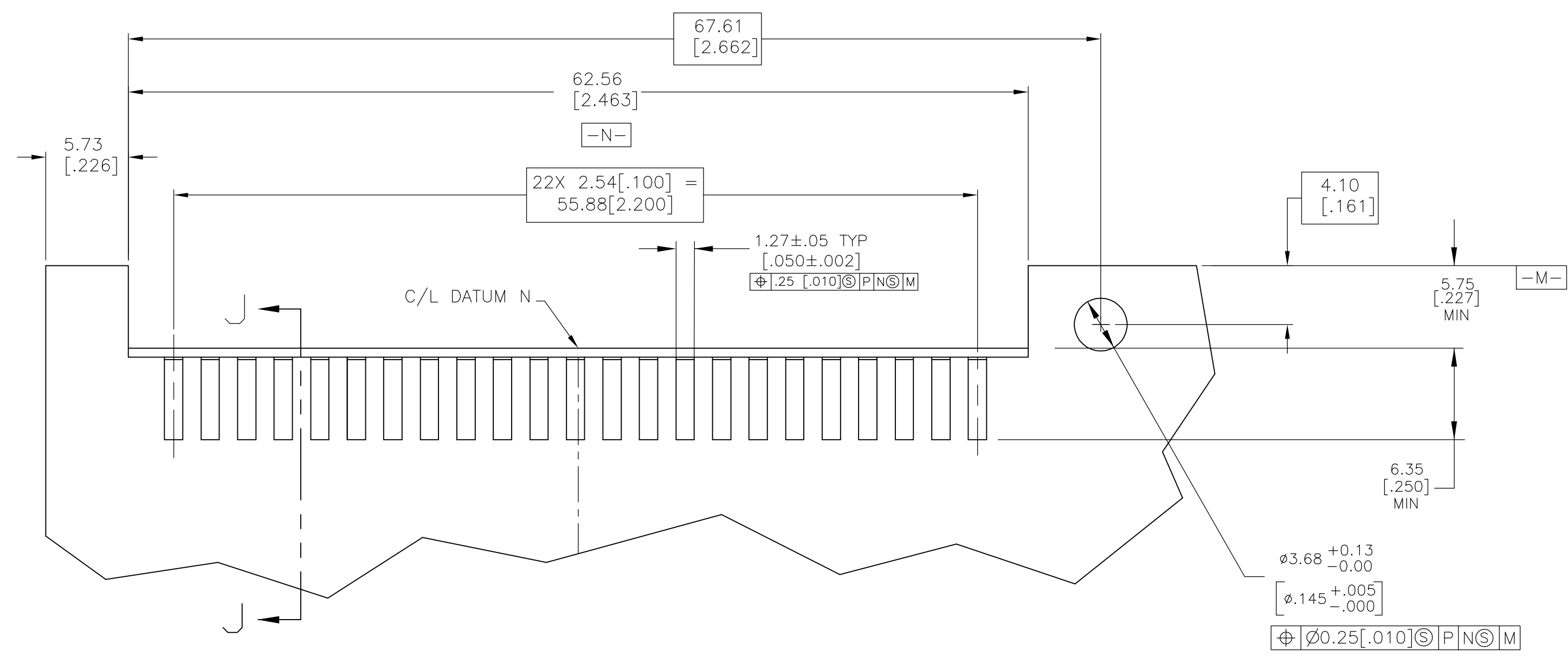
11	4	1888143-1
NO OF SINGLE POSITIONS	NO OF MULTIPLE POSITIONS	PART NUMBER

THIS DRAWING IS A CONTROLLED DOCUMENT.

DIMENSIONS: MM (inch)	TOLERANCES UNLESS OTHERWISE SPECIFIED: 0 PLC ± - 1 PLC ± - 2 PLC ± 0.13 [.005] 3 PLC ± - 4 PLC ± - ANGLES ± 1°	APVD: S. FLICKINGER DATE: 22JUNE2006	NAME: AL FRANTUM DATE: 22JUNE2006	tyco Electronics	Tyco Electronics Corporation Harrisburg, PA 17105-3608
SEE NOTE 1	SEE NOTE 2	PRODUCT SPEC: 108-2208	APPLICATION SPEC: -	SIZE: A1	SCALE: 4:1
MATERIAL: -		WEIGHT: -	CAGE CODE: 00779	DRAWING NO: 1888143	RESTRICTED TO: -
CUSTOMER DRAWING		SHEET 1 OF 2		REV B	



RECOMMENDED MATING BOARD EDGE CONFIGURATION
 TYP BOTH SIDES



RECOMMENDED PC BOARD LAYOUT FOR CONNECTOR MOUNTING
 TYP BOTH SIDES

THIS DRAWING IS A CONTROLLED DOCUMENT.		DNW AL FRANTUM / L.A. MAYER 22JUNE2006	Tyco Electronics Corporation Harrisburg, PA 17105-3608	
DIMENSIONS: MM		APVD S. FLICKINGER 22JUNE2006	NAME CONNECTOR ASSEMBLY, SEC II POWER CARD EDGE, DUAL POSITION, 2.54[.100] CENTERLINE	
TOLERANCES UNLESS OTHERWISE SPECIFIED: 0 PLC ± - 1 PLC ± - 2 PLC ± .26 [.010] 3 PLC ± - 4 PLC ± - ANGLES ± 1°		PRODUCT SPEC 108-2202	APPLICATION SPEC	
MATERIAL SEE SHEET 1	FINISH SEE SHEET 1	WEIGHT -	SIZE A1	SCALE 4:1
CUSTOMER DRAWING		DRAWING NO 00779	DRAWING NO 1888143	SHEET 2 OF 2