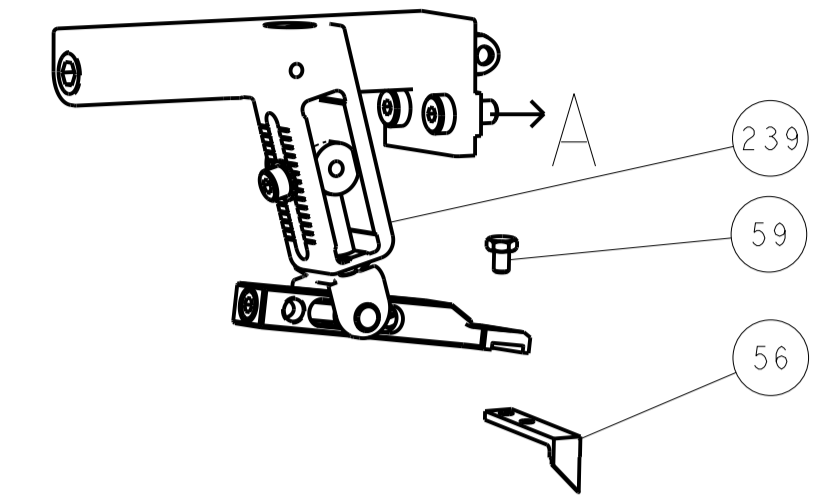
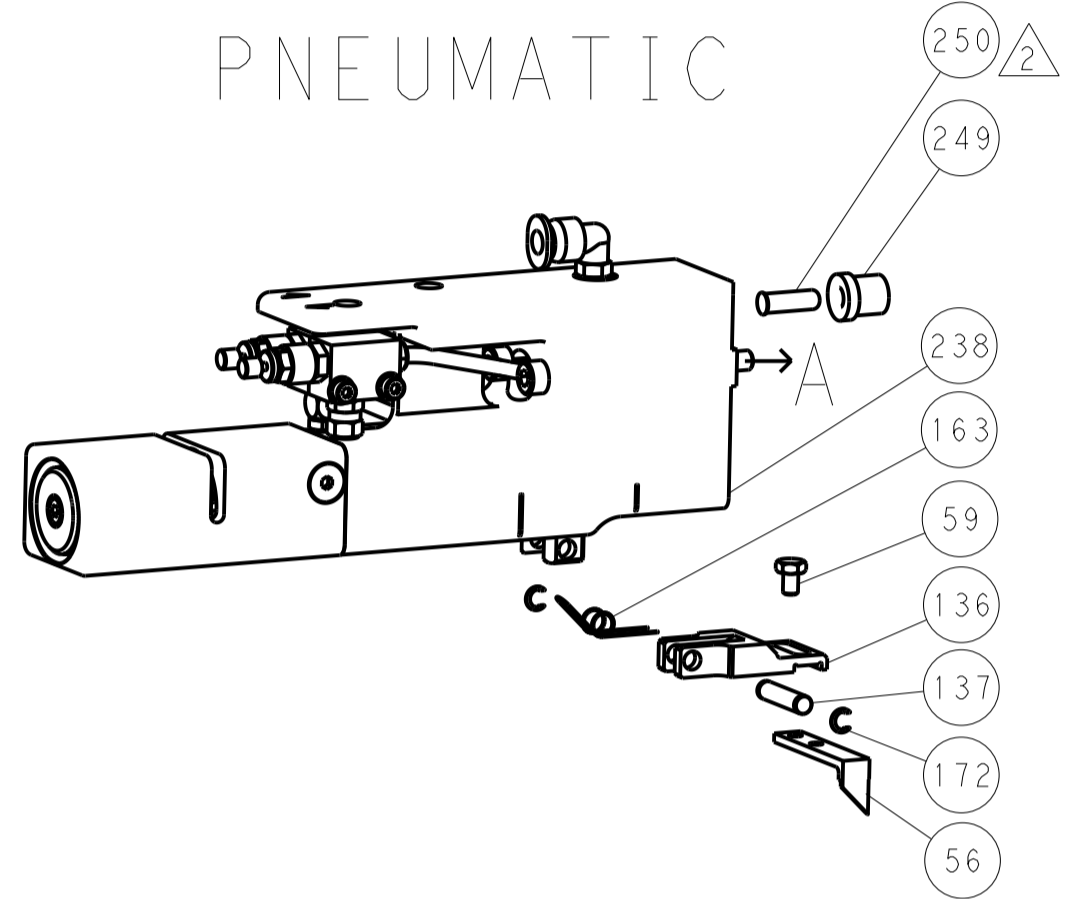


| REVISONS | | DATE | DWN | APVD |
|----------|------|-------------|-----|------|
| LOC | DIST | | | |
| A | 66 | | | |
| P | LTM | DESCRIPTION | | |
| | | SEE SHEET 1 | | |

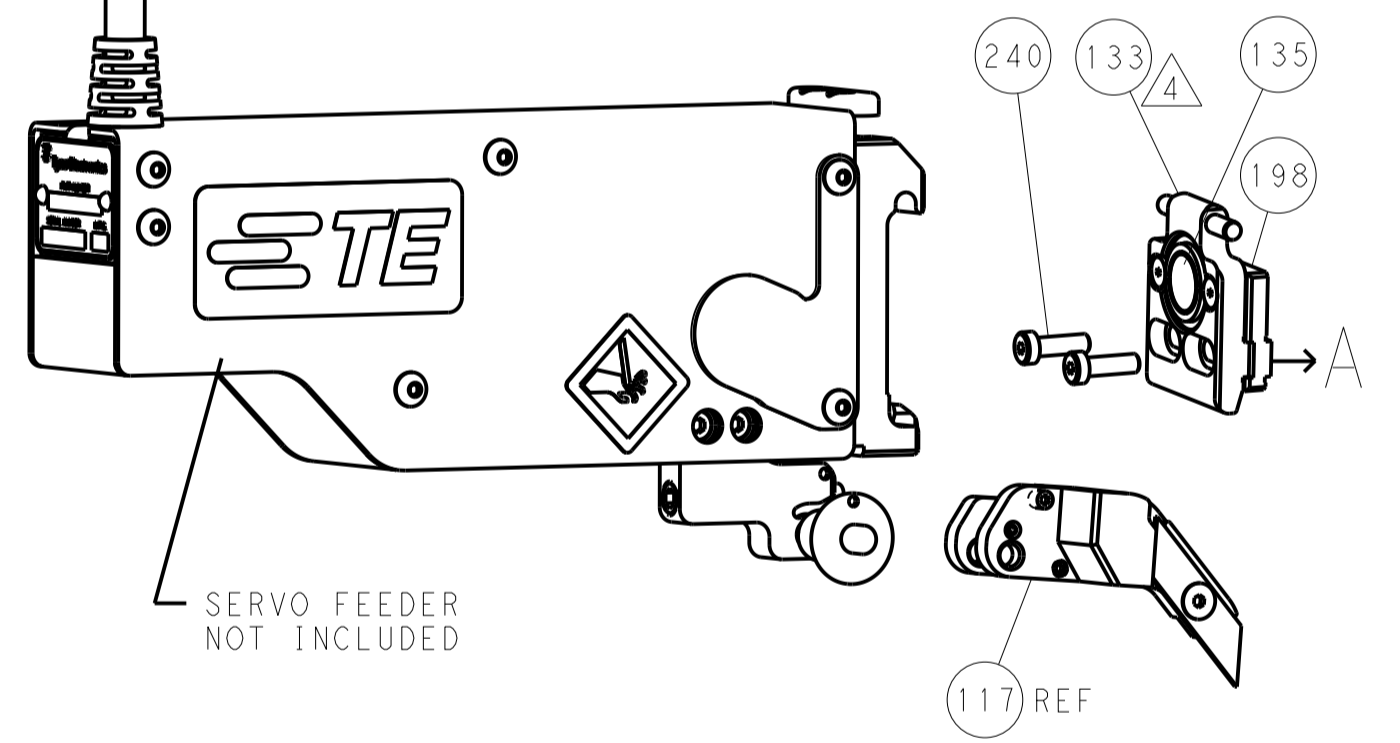
FEED TYPE MECHANICAL



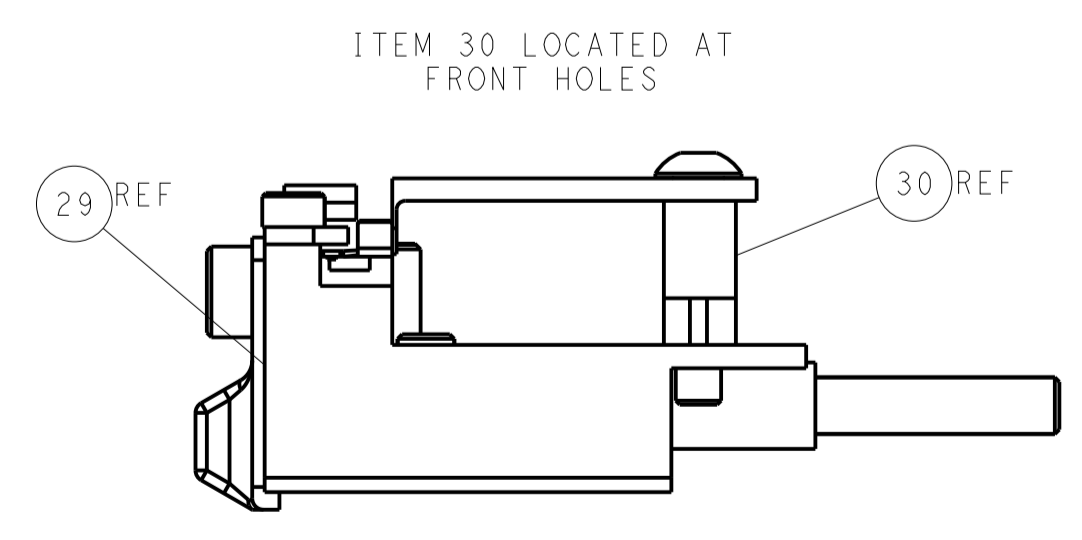
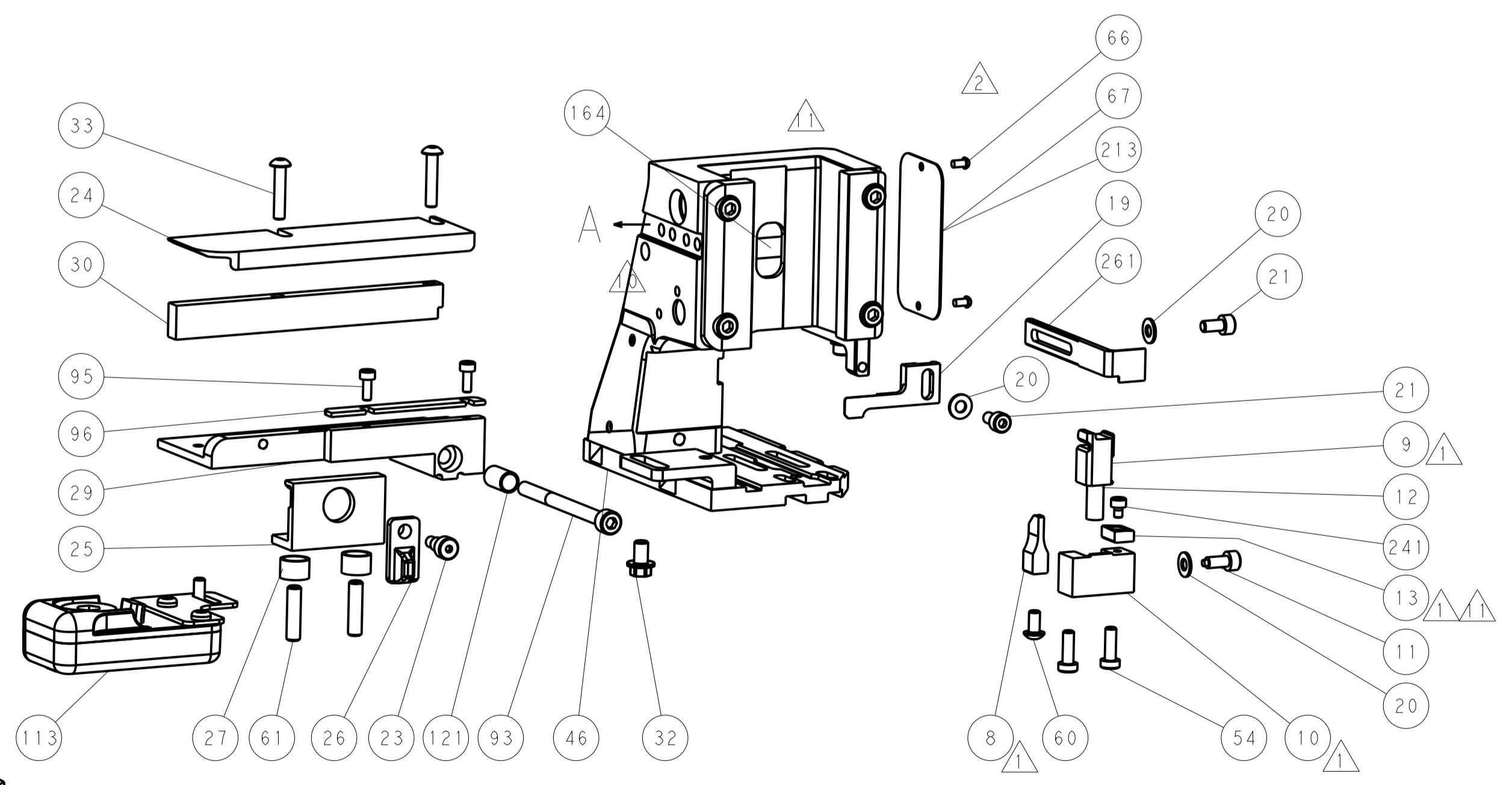
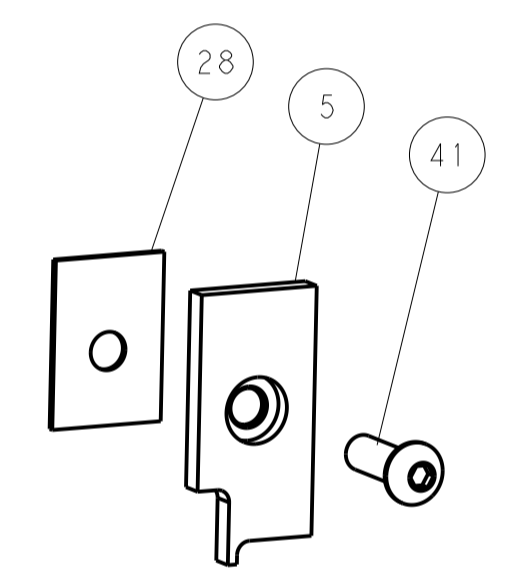
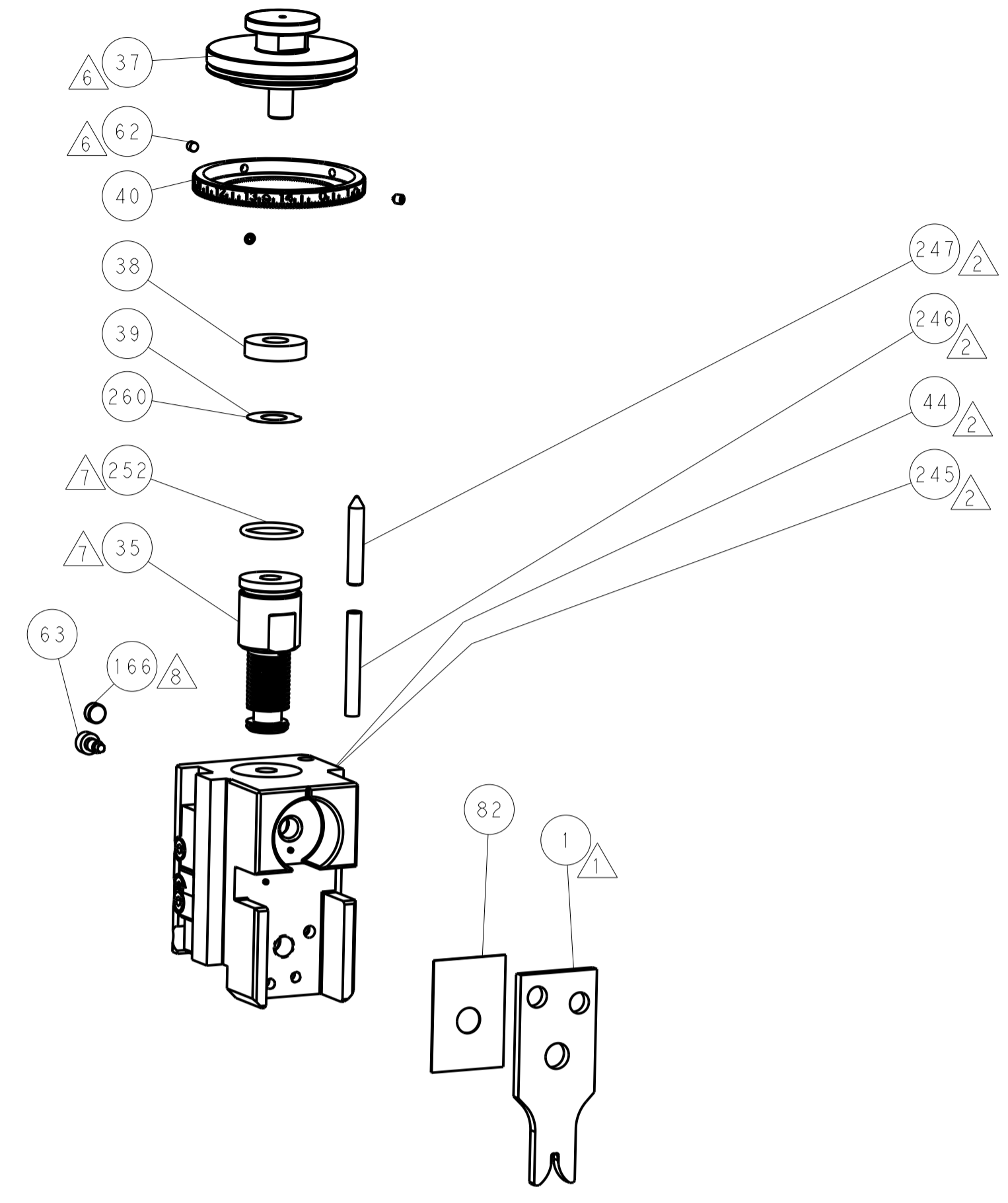
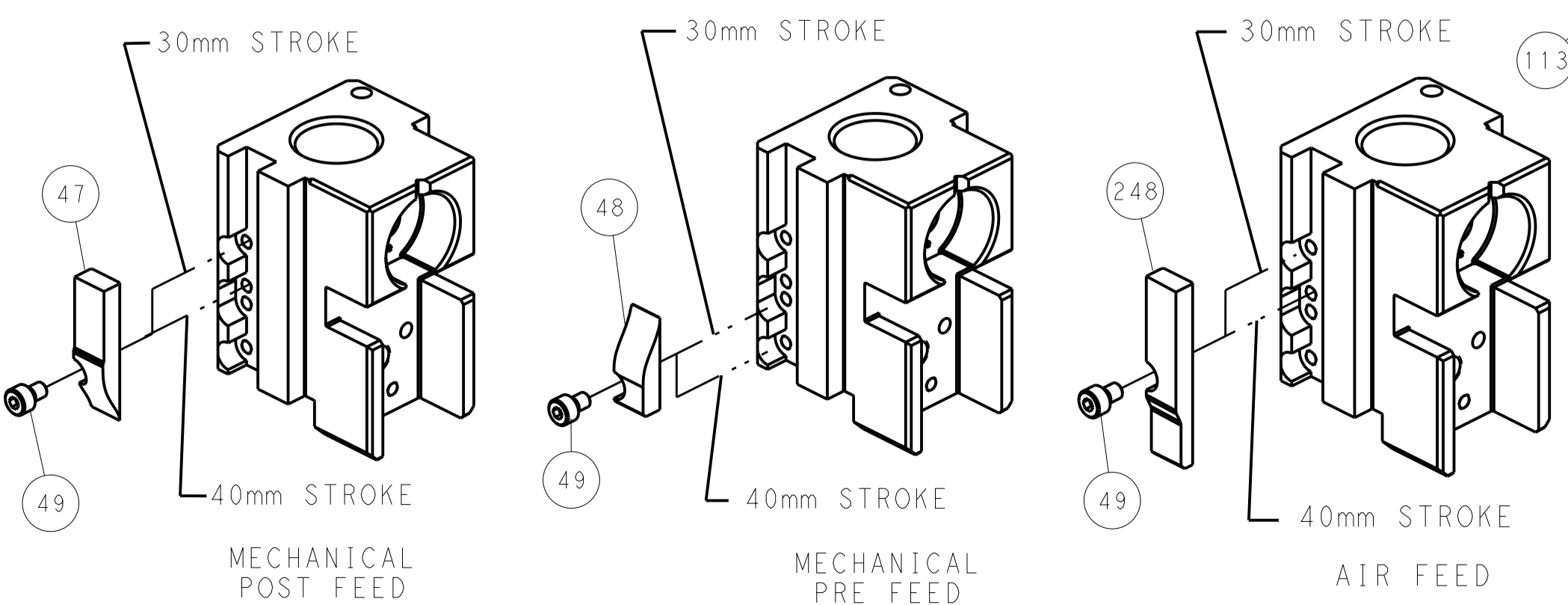
PNEUMATIC



SERVO LATCH PLATE



CAM POSITIONS

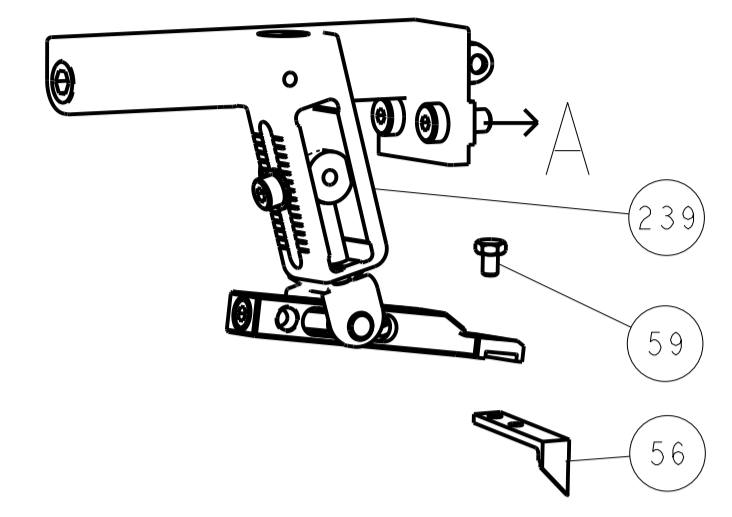


ATLANTIC VERSION
 Shown on sheets 1 of 4 & 2 of 4
 (Pacific version shown on sheets 3 of 4 & 4 of 4)

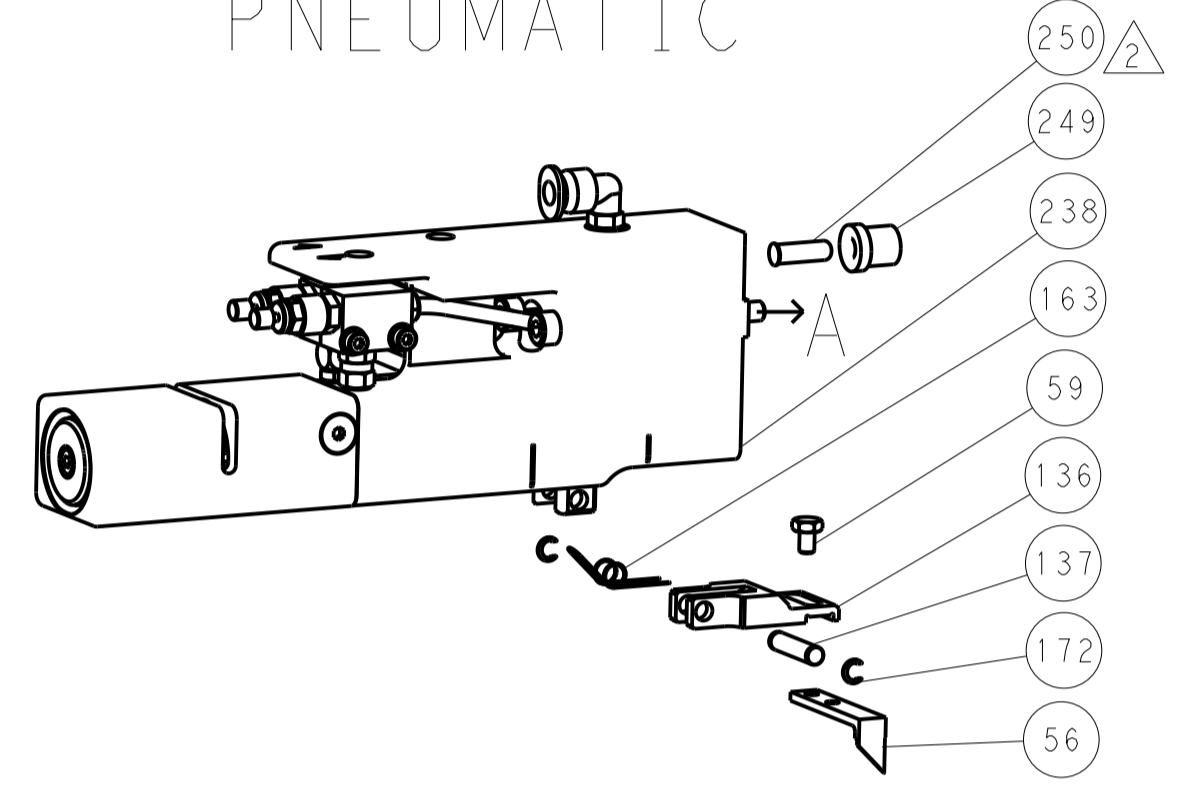
| | | | | | | |
|-------------|--------------|--|--|-------|-----------|--|
| DIMENSIONS: | | TOLERANCES UNLESS OTHERWISE SPECIFIED: | | DWN | 12MAR2014 | TE Connectivity Harrisburg, PA 17105-3608 |
| mm | 0 PLC ±0.5 | 1 PLC ±0.13 | 2 PLC ±0.13 | CHK | 12MAR2014 | |
| | 3 PLC ±0.013 | 4 PLC ±0.001 | ANGLES ±0.001 | APVD | 12MAR2014 | NAME |
| MATERIAL | FINISH | WEIGHT | Customer Accessible Production Drawing | SCALE | 1:2 | SHEET |
| | | | | | | 2 of 4 |
| | | | | | | REV |
| | | | | | | A |

| LOC | | DIST | | REVISIONS | | | |
|-----|----|------|-----|-------------|------|-----|------|
| A | 66 | P | LTH | DESCRIPTION | DATE | DWN | APVD |
| | | - | - | SEE SHEET 1 | - | - | - |

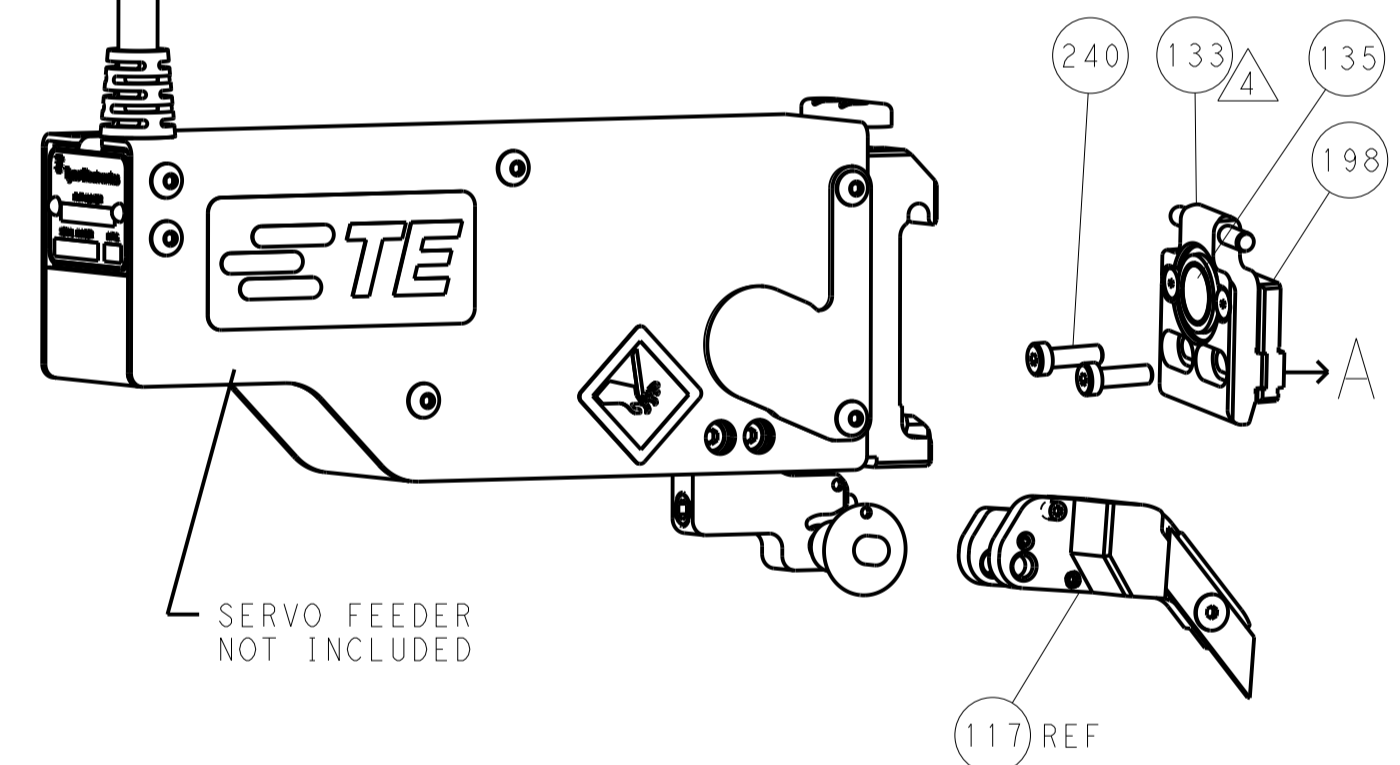
FEED TYPE MECHANICAL



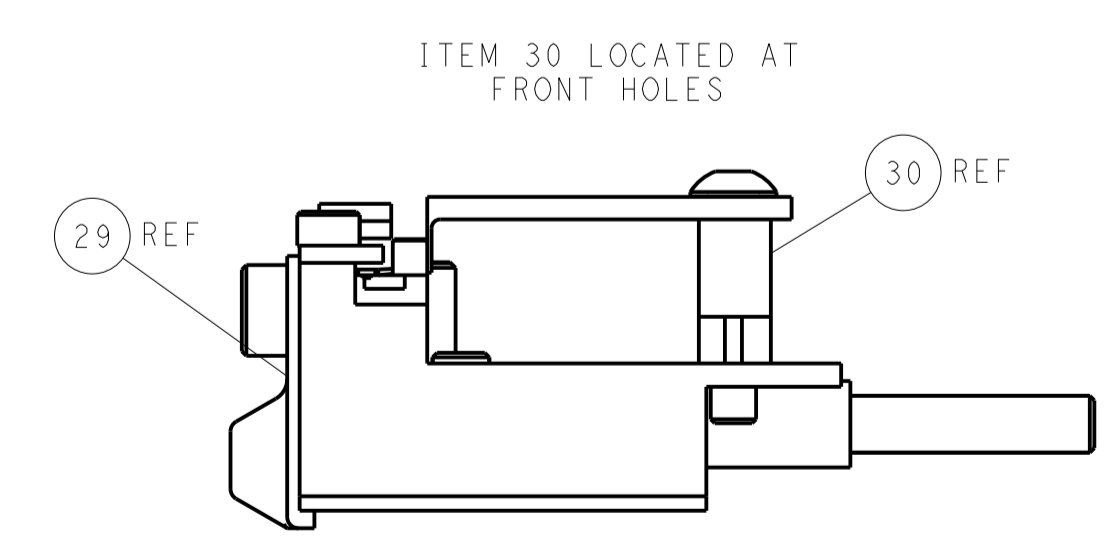
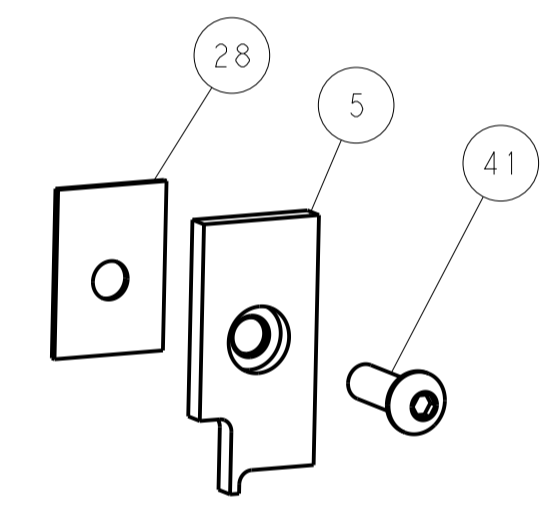
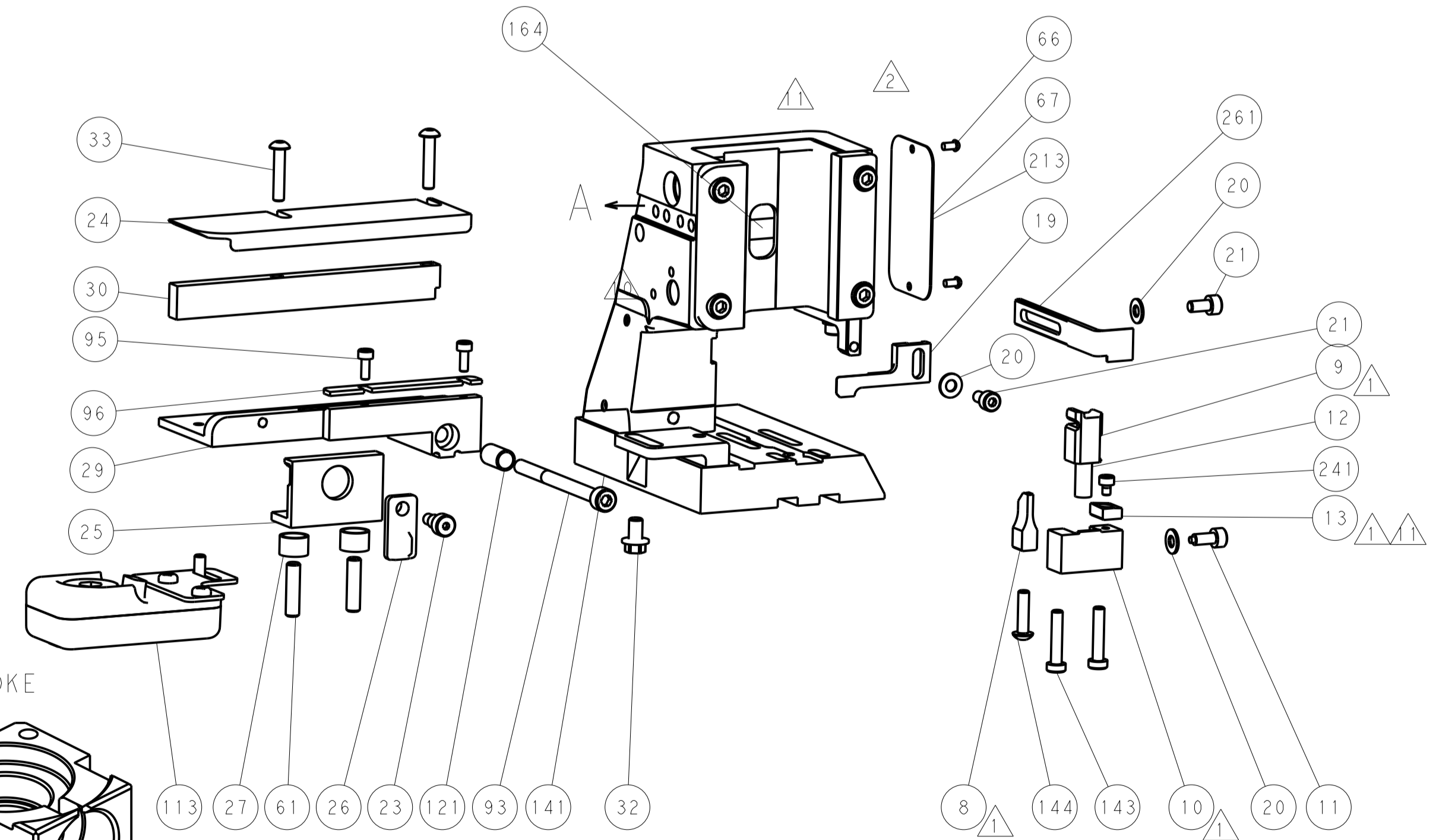
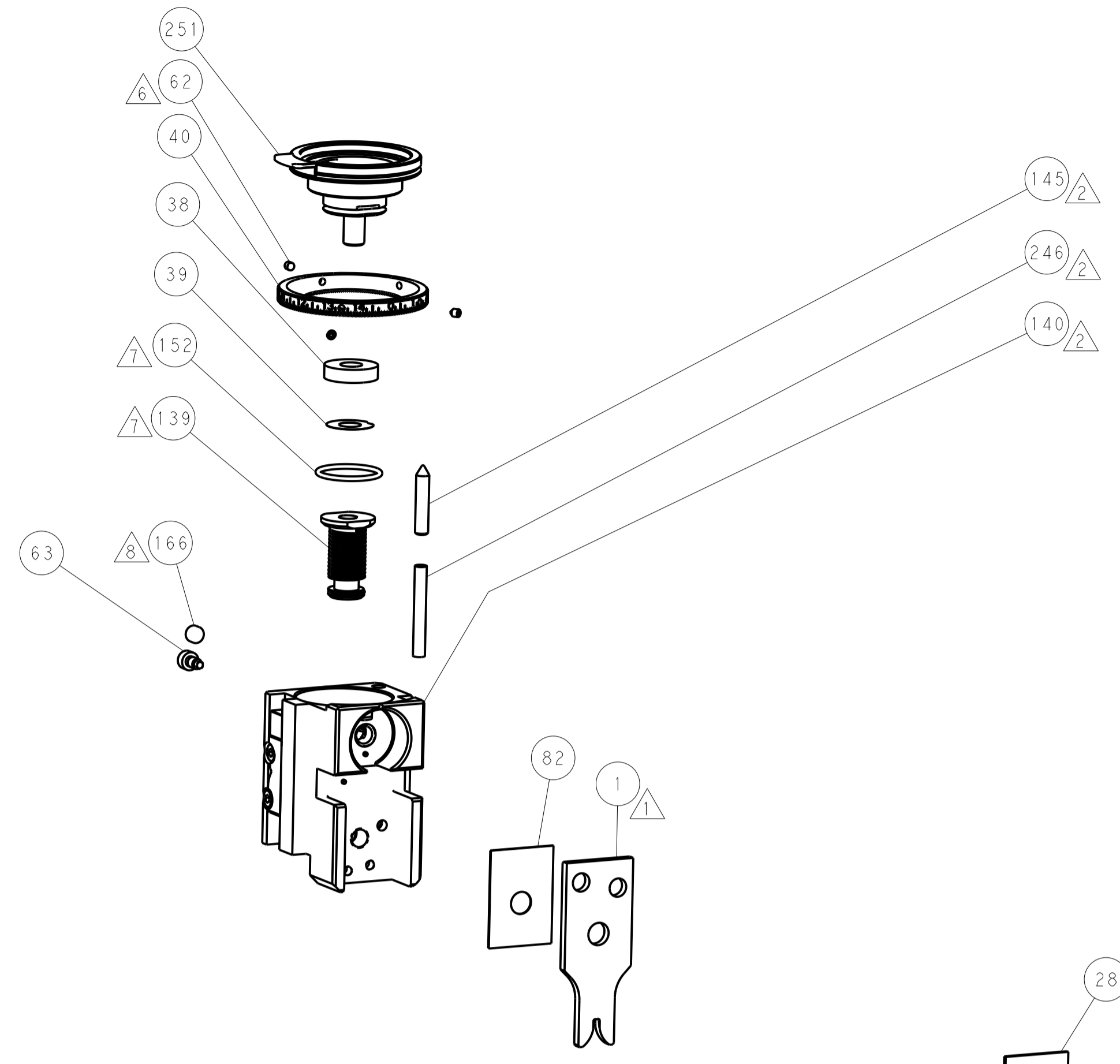
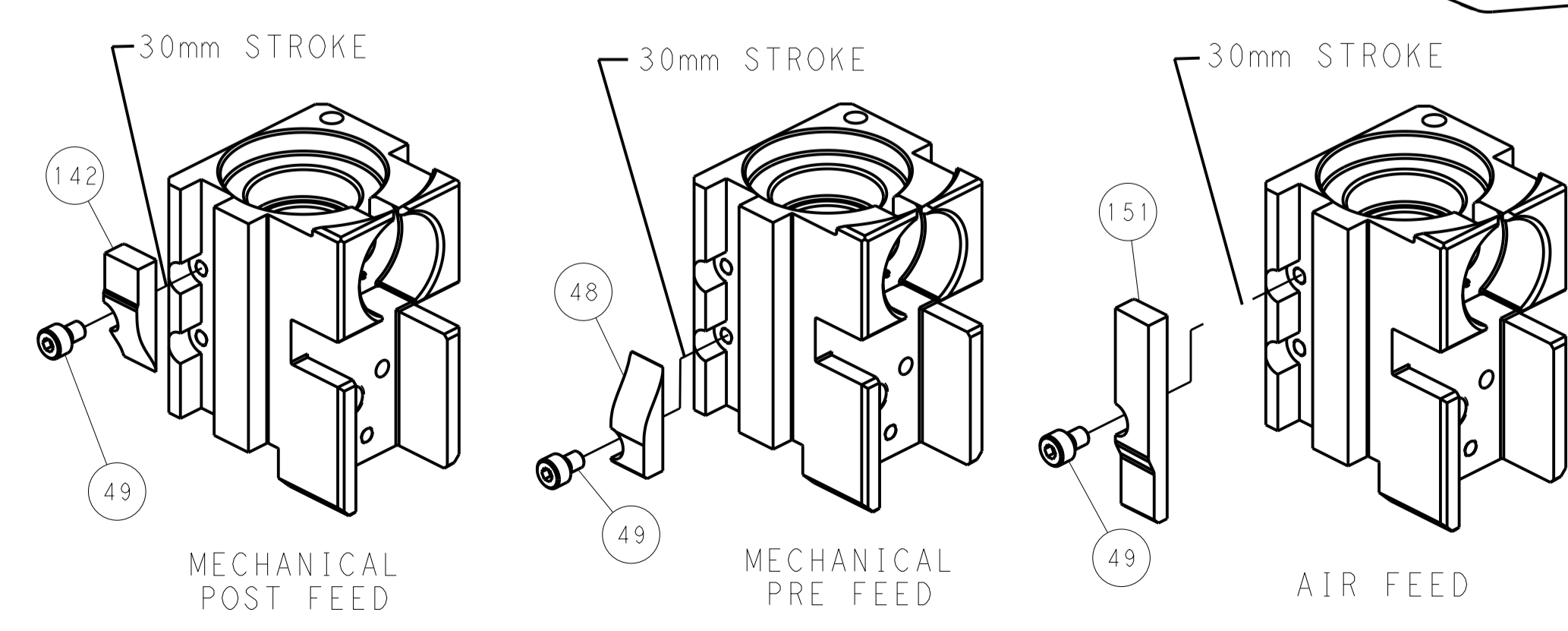
PNEUMATIC



SERVO LATCH PLATE



CAM POSITIONS



PACIFIC VERSION
 Shown on sheets 3 of 4 & 4 of 4
 (Atlantic version shown on sheets 1 of 4 & 2 of 4)

| | | | | | | |
|-------------|--------|--|-------|------|-----------|--|
| DIMENSIONS: | | TOLERANCES UNLESS OTHERWISE SPECIFIED: | | DWN | 12MAR2014 | TE Connectivity Harrisburg, PA 17105-3608 |
| mm | 0 PLC | ± | 0.5 | CHK | 12MAR2014 | |
| | 1 PLC | ± | 0.13 | APVD | 12MAR2014 | NAME |
| | 2 PLC | ± | 0.03 | | | PRODUCT SPEC |
| | 3 PLC | ± | 0.013 | | | APPLICATION SPEC |
| | 4 PLC | ± | 0.001 | | | RESTRICTED TO |
| | ANGLES | | | | | SIZE |
| MATERIAL | FINISH | WEIGHT | | A | 00779 | CAGE CODE |
| | | | | | 2266236 | DRAWING NO |
| | | | | | | Customer Accessible Production Drawing |
| | | | | | | SCALE |
| | | | | | | 1:2 |
| | | | | | | SHEET |
| | | | | | | 4 |
| | | | | | | OF |
| | | | | | | 4 |
| | | | | | | REV |
| | | | | | | A |