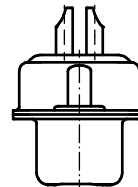
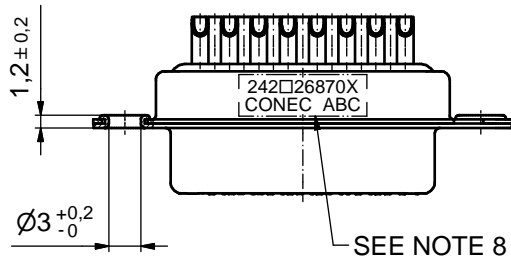
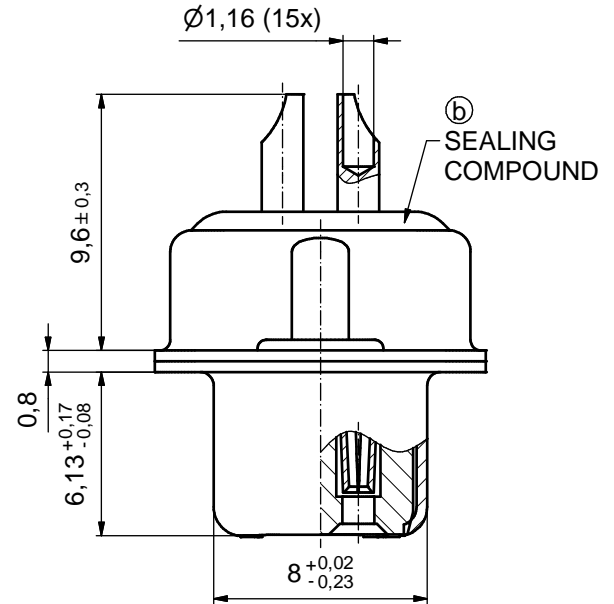
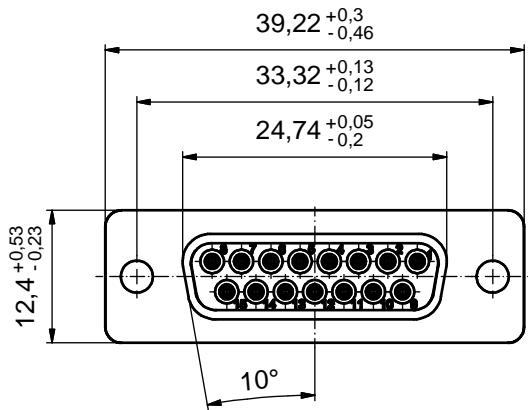


Solder Instruction

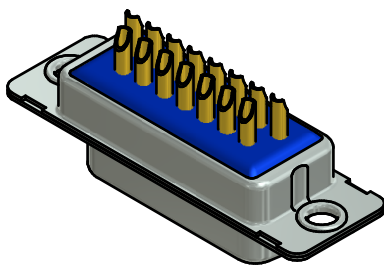
1. Cable should be prepared for soldering. The cable/wires must be pretinned.
2. Insert cable/wire into solder cup
3. Operate the soldering iron at 350°C, 50 Watt max. and use a pencil tip.
4. Apply some solder to the solder tip of the soldering iron.
5. Put tip to wire in solder cup
6. After 1 second bring in solder.
7. Heat for 3 seconds longer. Do not heat contact more than 6 seconds in total.
8. Remove soldering iron.
9. Wait until solder gets rigid again.
10. Do not solder adjacent contacts consecutively, alternate position within the connector to minimize heat build up.

(5:1)



NOTES:

1. RoHS COMPLIANT
2. METALSHELLS: STEEL; min. 315µin TIN over 40-80µin NICKEL
3. INSULATOR: HIGH TEMPERATURE PLASTIC UL 94 V-0; BLACK
4. CONTACTS: COPPER ALLOY; PLATING (SEE PART-NO.):
 - PLEASE ADD A for GOLD FLASH over NICKEL (PREFERRED TYPE)
 - PLEASE ADD B for 20µin HARD GOLD over min. 50µin NICKEL
 - PLEASE ADD C for 30µin HARD GOLD over min. 50µin NICKEL
- SOLDER CUP ACCEPTS CABLE AWG 20
5. SEALING COMPOUND: PUR; BLUE
6. CAPACITANCE: 1300 pF ± 20%
7. DIELECTRIC WITHSTANDING VOLTAGE: 424 VDC
8. CONNECTOR IS PART MARKED: 242□26870X CONEC ABC (see note 4)



RoHS compliant

THIS DRAWING MAY NOT BE COPIED OR REPRODUCED IN ANY WAY, AND MAY NOT BE PASSED ON TO A THIRD PARTY WITHOUT WRITTEN PERMISSION. OWNERSHIP AND COPYRIGHT OF CONEC GmbH				tolerance		dim. in mm	scale: 2:1 (5:1)	
				date			material: SEE NOTES	
DO NOT ALTER CAD DRAWING BY HAND				drawn	24.05.16	Lehmenkühler		title: D-SUB C-FILTER FEMALE 15pos. SOLDER CUP
				appd.	25.05.16	Fischer		
3 x b				norm	DIN 41652		dwg no:	
				d-old	24K1A757			
a				Original		DIN-A3		
rev.				description		sh: 1		
3 x b				Ä6143		24.05.2016		part no: 242□26870X (see note 4)
a				Original		Lehm.		
						CONEC		

D-SUB C-FILTER FEMALE
15pos. SOLDER CUP

② 24K1A1696

part no: 242□26870X (see note 4)