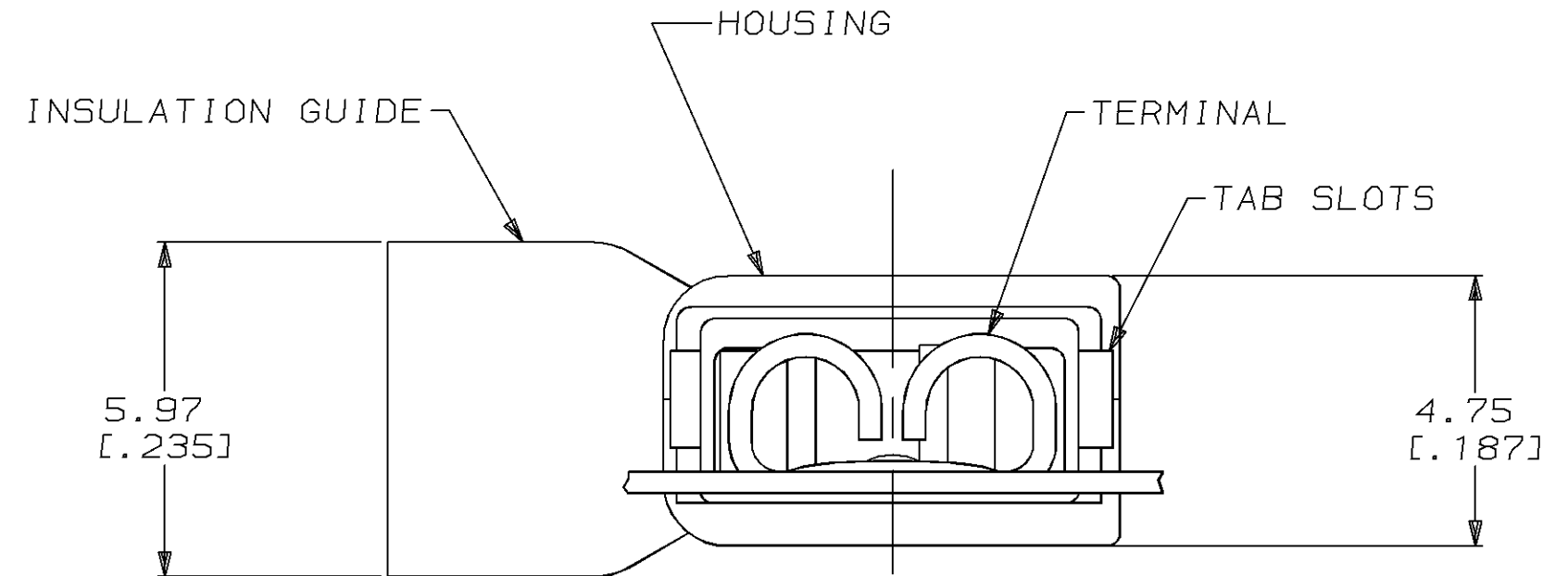
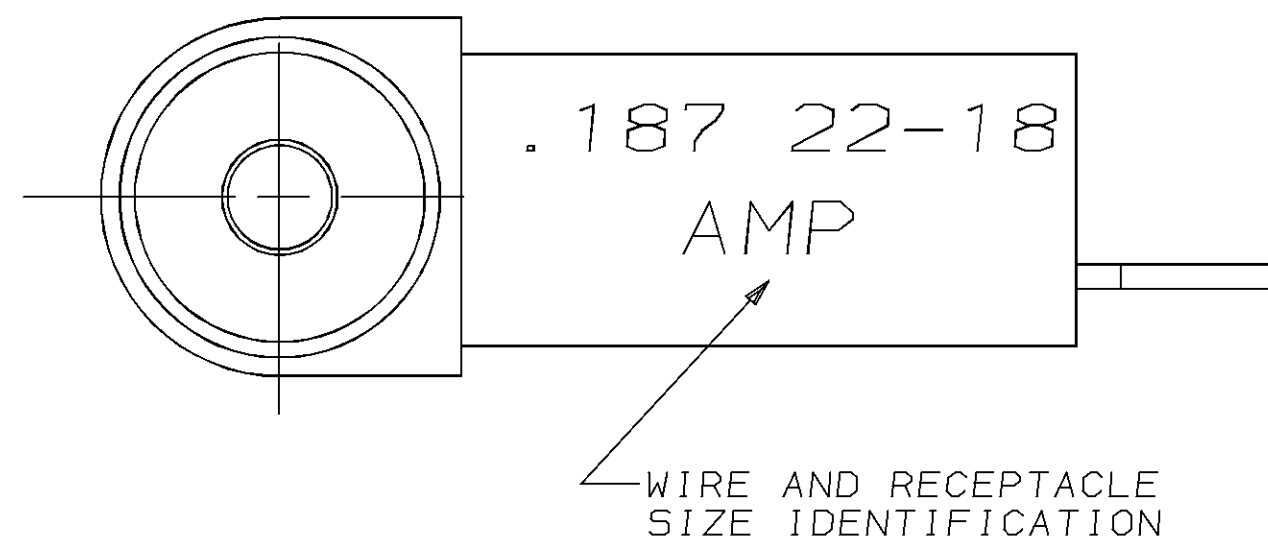
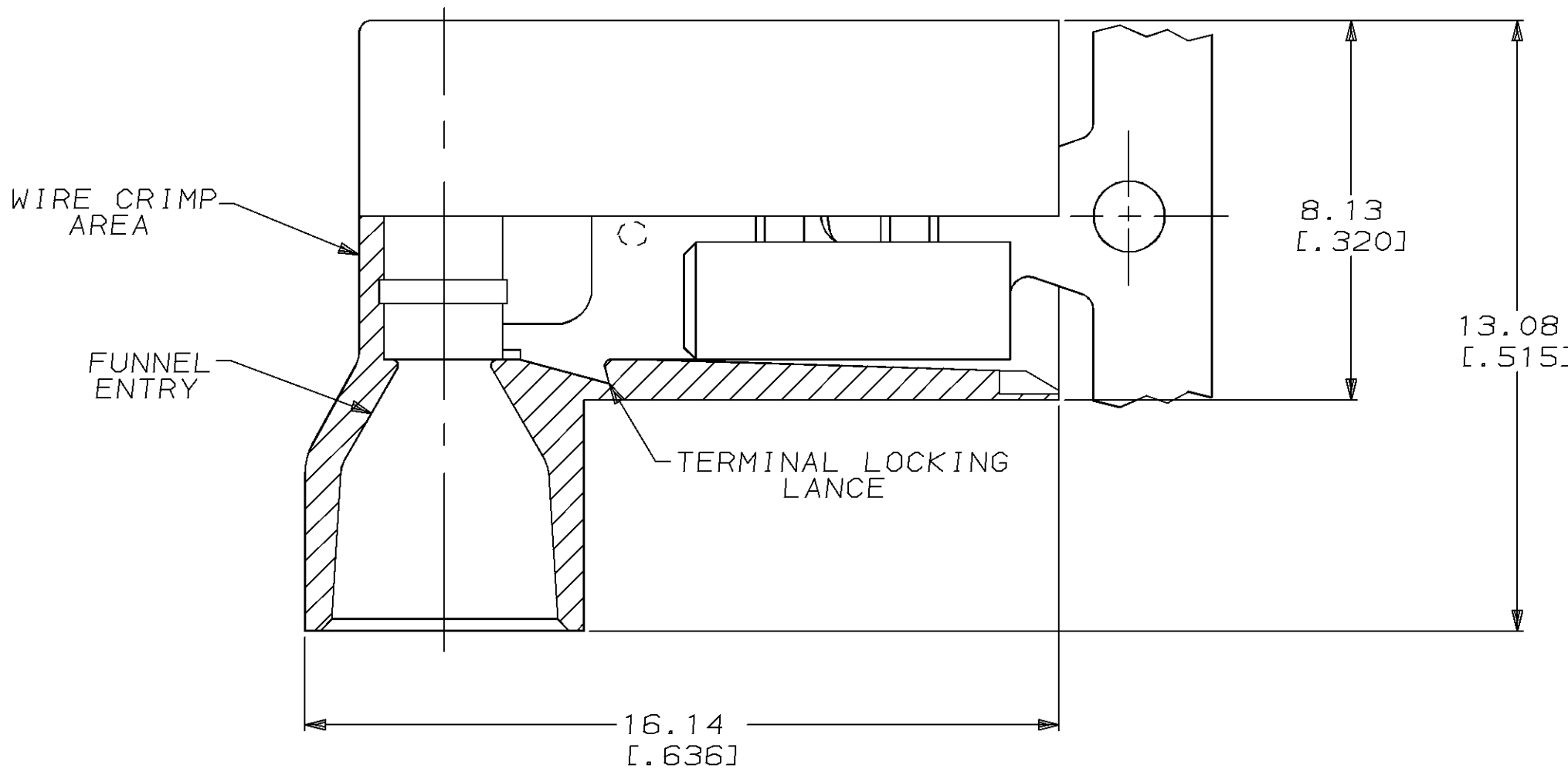


LOC	DIST	P	F	ZONE	LTR	DESCRIPTION	DATE	APPD
AF	50				A	REV & REL 2-2 PER 0L10-0094-96	9/19/96	JR/JW

- 1 FITS 0.31±0.025 X 4.75 [.012±.001 X .187] TAB REFER TO CP-15978 FOR DETAILS.
- 2 WIRE SIZE: 0.3-0.9mm² [22-18 AWG], STRANDED ONLY. STRIP LENGTH 7.14 [.281]
- 3 INSULATION SIZE: 4.19 [.165] MAX DIA.
- 4 CONTINUOUS STRIP, SPLICE FREE.



HOUSING		TERMINAL		PART NO
TYPE 6/6 NYLON	RED TRANSLUCENT	0.41 [.016] #4H BRASS	0.002032 [.000080] MIN TIN PL	2-521121-2
MATERIAL		COLOR	MATERIAL	FINISH
DO NOT SCALE PRINT. UNLESS SPECIFIED DIMENSIONS IN mm [INCHES] TOLERANCES ON : 2 PLC DEC ± 0.25 [.010] 3 PLC DEC ± - ANGLES ± -		DR 9/6/96 J RUTH	AMP AMP Incorporated Harrisburg, PA 17105-3608	
SEE TABLE		CHK 9/6/96 MS FEHER	NAME RECEPTACLE ASSEMBLY, ULTRA-FAST FLAG, 4.75 [.187] SERIES	
SEE TABLE		APPD 9/6/96 D BRATINA	SIZE ©	CAGE CODE 00779
		APPD 9/6/96 V KARABCIEVSYCH	DRAWING NO 521121	
		PRODUCT SPEC 108-2043	SHEET 1 OF 1	
		APPLICATION SPEC 114-2123		
		WEIGHT -		