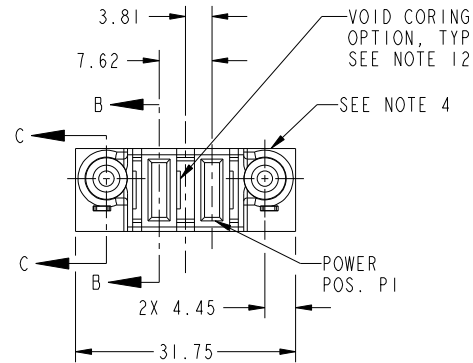
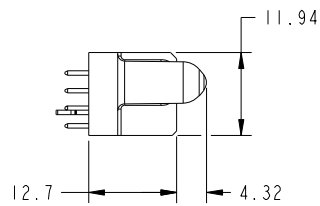


Tous droits strictement reserves. Reproduction ou communication a des tiers interdite sous quelque forme que ce soit sans autorisation écrite du propriétaire. Propriete de c FCI. Droits de reproduction FCI.



All rights strictly reserved. Reproduction or issue to third parties in any form whatever is not permitted without written authority from the proprietor. Property of FCI. Copyright FCI.

PRODUCT NO.	POWER			
	E2	P2	P1	E1
51940-266-- NOTE: 3				



CODE	DIM "M" MATING LENGTH	CONTACT TYPE
PA	[1.07]	POWER
HA	[N/A]	HOLD-DOWN

mat'l code				SEE NOTES		tolerances unless otherwise specified		CUSTOMER		 www.fciconnect.com	
ltr	ecn no.	dr	date	linear	0.X ±0.3	projection		COPY		title	
A	DG08-0330	WD	11/26/08	angles	0.XX ±0.13			MIM		2ACP VERTICAL SOLDER RECEPT	
				dr	0.XXX ±0.051	scale		product family		code	
				enr	0° ±2°	1:1		PwrBlade		213	
				chr	Warren Du 11/20/08			size		sheet	
				appd	Warren Du 11/20/08			A		1 of 4	
					GARY HSIEH 11/20/08			dwg no		51940-266	
					JOSEPH HSIA 11/20/08			A		1 of 4	
sheet index	revision sheet	A	A	A	A			cage code		22526	
		1	2	3	4						

Pro/E

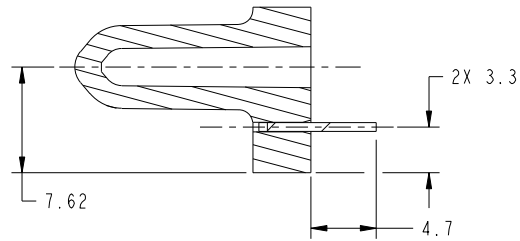
cage code 22526

Tous droits strictement reserves. Reproduction ou communication a des tiers interdite sous quelque forme que ce soit sans autorisation ecrite du proprietaire. Propriete de c FCI. Droits de reproduction FCI.

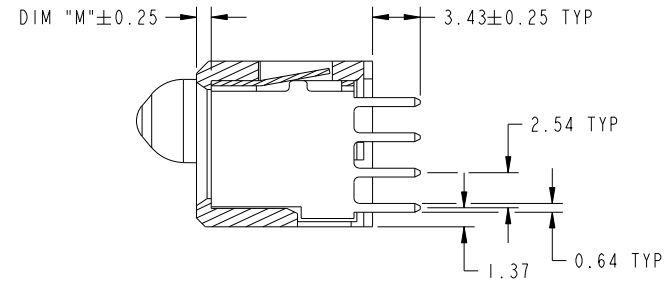
All rights strictly reserved. Reproduction or issue to third parties in any form whatever is not permitted without written authority from the proprietor. Property of FCI. Copyright FCI.



PRODUCT NUMBER
51940-266--
NOTE: 3



SECTION C-C
SCALE 2:1



SECTION B-B
SCALE 2:1

mat'l code				tolerances unless otherwise specified				CUSTOMER		FCI	
ltr	ecn no.	dr	date	linear	0.X ± 0.3		COPY		www.fciconnect.com		
A					0.XX ± 0.13		projection		title		
					0.XXX ± 0.051				2ACP VERTICAL SOLDER RECEPT		
				angles	0° ± 2°				product family	PwrBlade	code
				dr	Warren Du	11/20/08	scale		size	dwg no	213
				enr	Warren Du	11/20/08	1:1		A	51940-266	sheet
				chr	GARY HSIEH	11/20/08					2 of 4
				appd	JOSEPH HSIA	11/20/08					
sheet index	revision sheet										

Pro/E

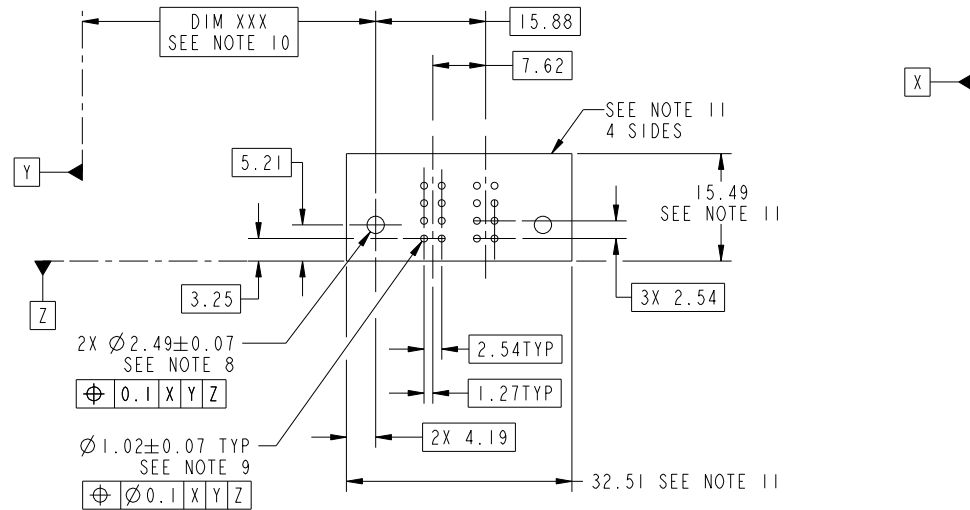
cage code 22526

Tous droits strictement reserves. Reproduction ou communication a des tiers interdite sous quelque forme que ce soit sans autorisation écrite du propriétaire. Propriete de c FCI. Droits de reproduction FCI.



All rights strictly reserved. Reproduction or issue to third parties in any form whatever is not permitted without written authority from the proprietor. Property of FCI. Copyright FCI.

PRODUCT NUMBER
51940-266--
NOTE: 3



RECOMMENDED PCB LAYOUT

mat'l code				tolerances unless otherwise specified			CUSTOMER		FCI		www.fciconnect.com	
ltr	ecn no.	dr	date	linear	0.X ±0.3		COPY		projection	title		
A					0.XX ±0.13		MIM			2ACP VERTICAL SOLDER RECEPT		
					0.XXX ±0.051		← MIM →			product family PwrBlade code		
				angles	0° ±2°		scale		size		sheet	
				dr	Warren Du	11/20/08	1:1		A		213	
				enr	Warren Du	11/20/08			dwg no		3 of 4	
				chr	GARY HSIEH	11/20/08			51940-266			
				appd	JOSEPH HSIA	11/20/08						
sheet index	revision sheet											

cage code 22526

Pro/E

Tous droits strictement reserves. Reproduction ou communication a des tiers interdite sous quelque forme que ce soit sans autorisation écrite du propriétaire. Propriete de c FCI. Droits de reproduction FCI.

All rights strictly reserved. Reproduction or issue to third parties in any form whatever is not permitted without written authority from the proprietor. Property of FCI. Copyright FCI.

PRODUCT NUMBER
51940-266--
NOTE: 3

NOTES:

1. DIMENSIONS AND TOLERANCES ARE IN ACCORDANCE WITH ASME Y14.5M, 1994 UNLESS OTHERWISE SPECIFIED.

CONNECTOR NOTES:

- 2 HOUSING MATERIAL: UL 94 V-0 GLASS FILLED HIGH-TEMP THERMOPLASTIC
POWER CONTACT MATERIAL: COPPER ALLOY
SIGNAL PIN MATERIAL: COPPER ALLOY
- 3. SEE ITEM 5 & 6 IN PRINT 10064183 FOR PLATING SPEC OF 51940-266 AND 51940-266LF RESPECTIVELY.
- 4 MANUFACTURER'S NAME, P/N, AND DATE CODE TO APPEAR ON THIS SURFACE.
- 5. PRODUCT SPECIFICATION GS-12-149.
APPLICATION SPECIFICATION BUS-20-067.
- 6. PACKAGED IN TRAYS.

PCB NOTES:

- 7. ALL HOLE DIAMETERS ARE FINISHED HOLE SIZE.
- 8 MOUNTING HOLES, WHERE APPLICABLE, ARE UNPLATED.
- 9 $\varnothing 1.151 \pm 0.025$ DRILLED HOLES PLATED WITH
0.008 MIN SnPb OR Sn OVER 0.03
TO 0.08 Cu PLATING TO ACHIEVE
 $\varnothing 1.02 \pm 0.07$ HOLE.
- 10 "DIM XXX" TO BE DETERMINED BY THE CUSTOMER.
- 11 CONNECTOR KEEP-OUT ZONE.
- 12. THE VOID CORING IN BETWEEN POWER MODULES, SIGNAL MODULES AND END MODULES ARE OPTIONAL AND THE SHAPE MAY BE DIFFERENT FOR OPTIMIZE THE MOLDING PROCESS. THE VOID CORING WILL NOT EFFECT TO PRODUCT FUNCTION.

mat'l code				tolerances unless otherwise specified		CUSTOMER		FCI	
ltr	ecn no.	dr	date	linear	0.X ± 0.3	COPY		www.fciconnect.com	
A				linear	0.XX ± 0.13	projection		title 2ACP VERTICAL SOLDER RECEPT	
				angles	0.XXX ± 0.051			product family PwrBlade code 213	
				dr	0° ± 2°			size dwg no 51940-266 sheet 4 of 4	
				enrg	Warren Du 11/20/08	scale 1:1		A	
				chr	GARY HSIEH 11/20/08				
				appd	JOSEPH HSIA 11/20/08				
sheet index	revision sheet								

cage code 22526

Pro/E