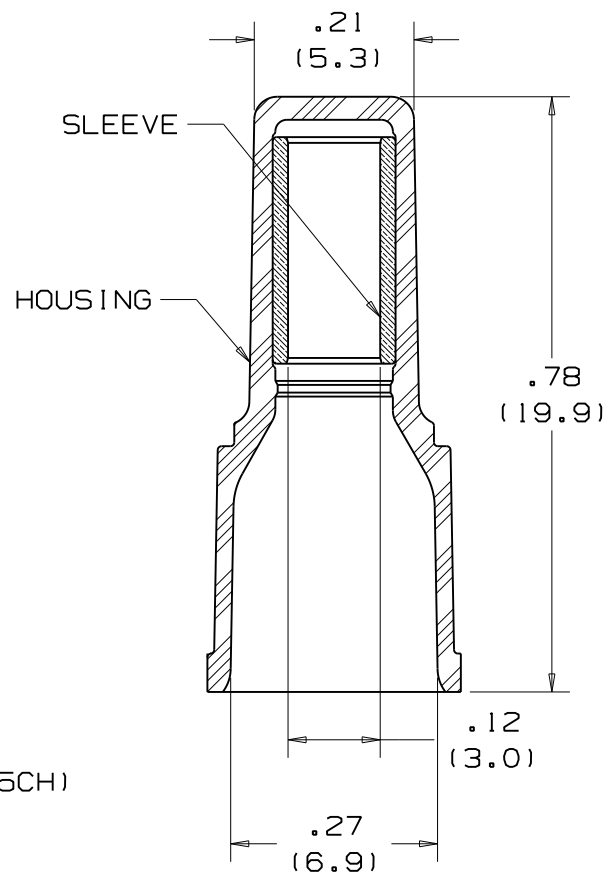


WIRE SIZE	NUMBER OF WIRES	NUMBER OF ADDITIONAL WIRES OF ONE SIZE			
		#22	#20	#18	#16
#22	1	1-4	1-3	1-2	1
	2	1-3	1-2	1-2	1
	3	1-2	1	1	1
	4	1	0	0	0
#20	1	1-3	1-3	1-2	1
	2	1-2	1-2	1	1
	3	1	1	0	0
#18	1	1-3	1-2	1-2	1
	2	1-2	1	1	0
#16	1	1-3	1-2	1	1
#14	1	1	1	0	0



- NOTES:
- USED FOR:
 - A. 600V MAX VOLTAGE RATING
 - B. 221°F (105°C) MAX TEMP RATING
 - C. FOR SOLID OR STRANDED COPPER WIRE
 - D. SEE CHART FOR WIRE COMBINATIONS
 - INSTALLATION TOOLS:
 - A. UL LISTED : CT-100, CT-500, CT-550
CT-1550, CT-1551, CT-2400 (CT-2455CH)
 - B. CSA CERTIFIED : CT-500
 - C. PANDUIT APPROVED : CT-160, CT-400
 - WIRE STRIP LENGTH: $7/16^{+1/32}_{-0}$ (11.1⁺⁸₋₀)
 - MATERIAL:
 - A. HOUSING : NATURAL NYLON (TRANSLUCENT)
 - B. SLEEVE : TIN PLATED BRASS
 - SEE www.panduit.com FOR PART NUMBER SUFFIX DESIGNATION FOR PACKAGE SIZE
 - DIMENSIONS IN BRACKETS ARE IN MILLIMETERS OR mm²
 - TWIST ENDS OF STRIPPED WIRE TOGETHER BEFORE INSERTING INTO WIRE JOINT.
 - TOLERANCE: ± .03"



LISTED
587H
E52164

CERTIFIED
LR31212

PANDUIT

CORP.

TINLEY PARK, ILLINOIS

NYLON INSULATED WIRE JOINT
JN218-216

05 7/11 SRB

UPDATED DRAWING

REV DATE BY

DESCRIPTION

DRAWN BY
DAW

CHK'D

SCALE

NONE

DRAWING NO

A41342