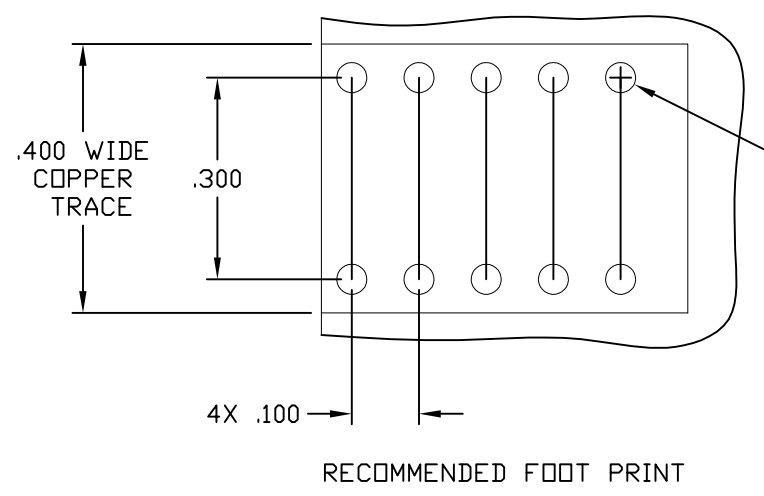


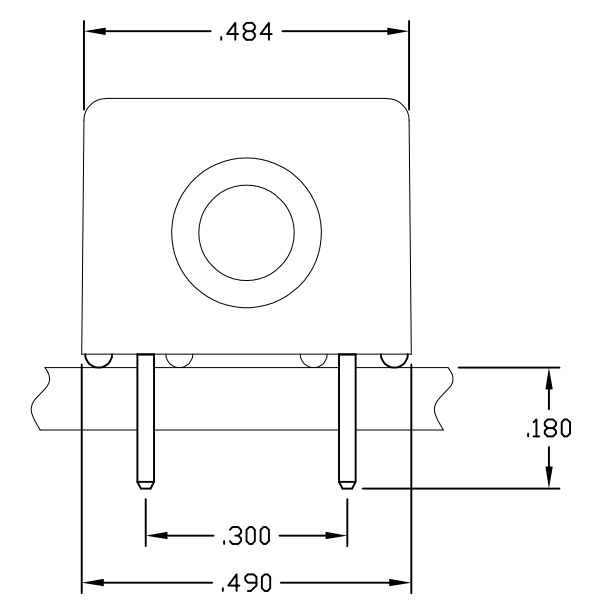
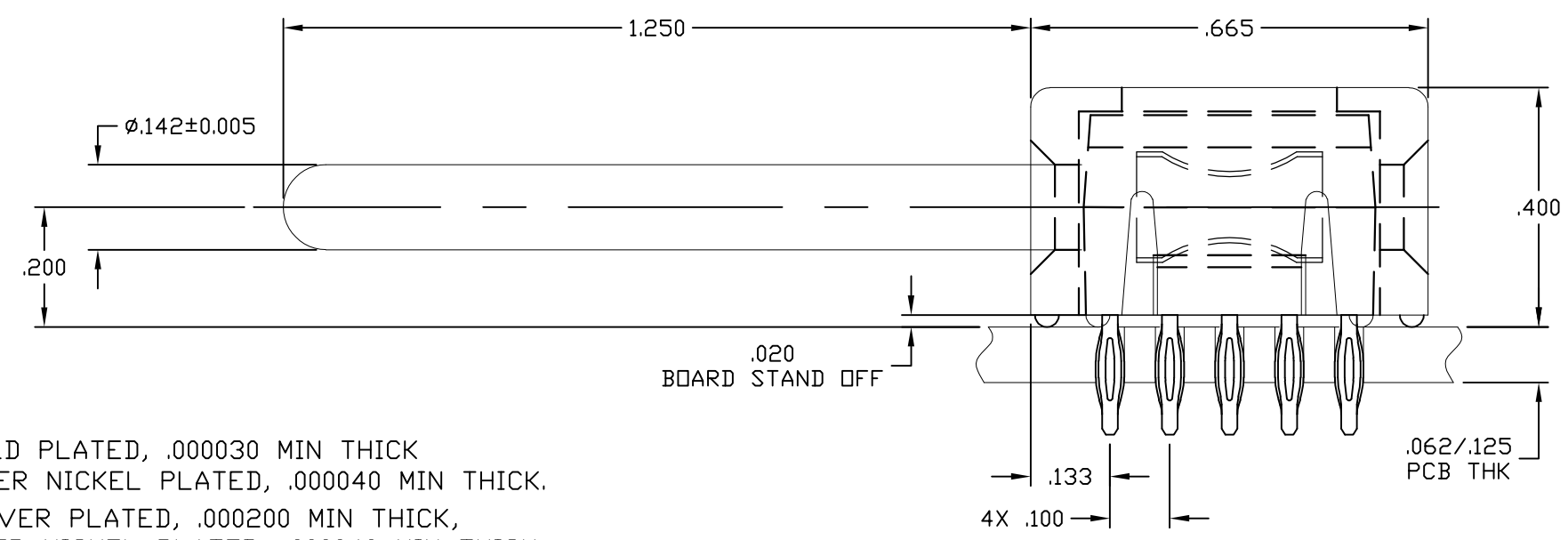
THIS DRAWING IS UNPUBLISHED. RELEASED FOR PUBLICATION
 © COPYRIGHT - By - ALL RIGHTS RESERVED.

| LOC | DIST | REVISIONS | | | | | |
|-----|------|-----------|-----|-----------------------|-----------|-----|------|
| GP | 00 | P | LTR | DESCRIPTION | DATE | DWN | APVD |
| | | C | | REV PER ECO-11-007678 | 11JUL2011 | RG | DO |



RECOMMENDED PRINTED CIRCUIT HOLE
 COMPLIANT PRESS FIT
 DRILLED HOLE: $\phi 0.0453 \pm 0.0005$
 COPPER PLATE: .0010 - .0020 (PER SURFACE)
 TIN PLATE: .00002 MINIMUM (PER SURFACE)
 10X

RECOMMENDED FOOT PRINT



4. FINISHES:

- CROWN: GOLD PLATED, .000030 MIN THICK
OVER NICKEL PLATED, .000040 MIN THICK.
- INSERT: SILVER PLATED, .000200 MIN THICK,
OVER NICKEL PLATED, .000040 MIN THICK.
- COMPLIANT TAIL: SILVER PLATED, .000200 MIN THICK,
OVER NICKEL PLATED, .000040 MIN THICK.
- CONTACT: SILVER PLATED, .000200 MIN THICK,
OVER NICKEL PLATED, .000040 MIN THICK.

3. MATERIALS:

- HOUSING: THERMOPLASTIC, GLASS REINFORCED, COLOR-BLACK
UL94V-0 FLAMMABILITY RATED
- CROWN: COPPER ALLOY
- INSERT: ZINC ALLOY, CASTING
- CONTACT: BRASS ALLOY
- COMPLIANT TAIL: PHOSPHOR BRONZE ALLOY

5. FOR APPLICATIONS UTILIZING AN IMMERSION SILVER PLATED PCB.
 CONSULT TYCO ENGINEERING.

2. ITEMS PROVIDED TO THIS SPECIFICATION SHALL BE IDENTIFIED ON THE CONTAINER WITH THE FOLLOWING INFORMATION:
PART NUMBER & DATE CODE OF MANUFACTURE.
1. PART NUMBER CHANGES AND OR DESIGN CHANGES AFFECTING ITEM INTERCHANGEABILITY REQUIRE PRIOR TE APPROVAL AND AUTHORIZATION BY REVISION TO THIS DRAWING.

6643445-1
 PART NUMBER

| | | | | | |
|--|--|--|-----------------|--------------------|-------------------------|
| THIS DRAWING IS A CONTROLLED DOCUMENT. | | DWN HA/GRZYBOWSKI 12JAN2011 | TE Connectivity | | |
| DIMENSIONS: INCHES | | CHK ORRIS 12JAN2011 | | | |
| | | TOLERANCES UNLESS OTHERWISE SPECIFIED: | | PRODUCT SPEC | |
| MATERIAL | | FINISH | | APPLICATION SPEC | |
| - | | - | | - | |
| CUSTOMER DRAWING | | | SIZE A3 | CAGE CODE 00779 | DRAWING NO C-6643445 |
| SCALE 4:1 | | | SHEET 1 OF 1 | RESTRICTED TO - | |
| | | | REV C | | |