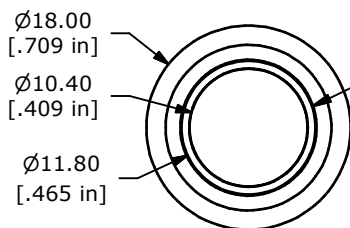


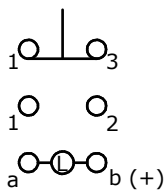
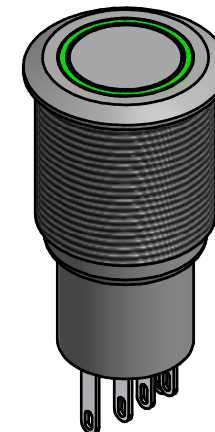
PANEL CUTOUT
MAX. PANEL THICKNESS
14.0mm [.551]

SWITCH FUNCTION	
POS. 1	POS. 2
ON	(ON)
1-3	1-2

(ON) = MOMENTARY

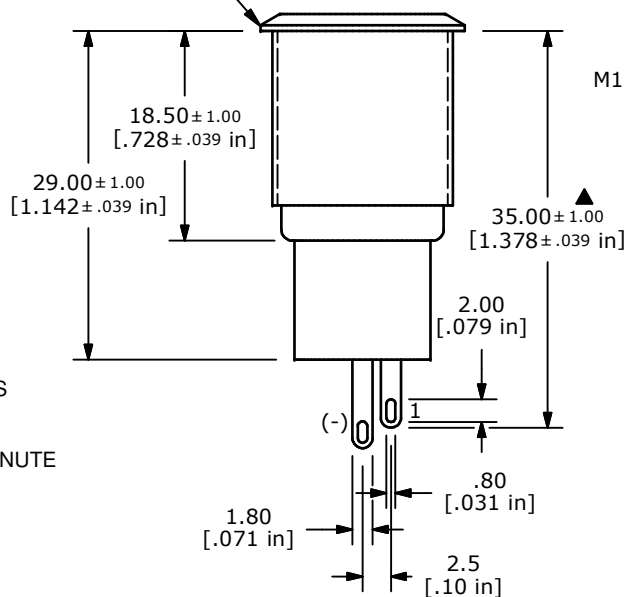


▲ RING ILLUMINATION
COLOR: TRANSPARENT GREEN

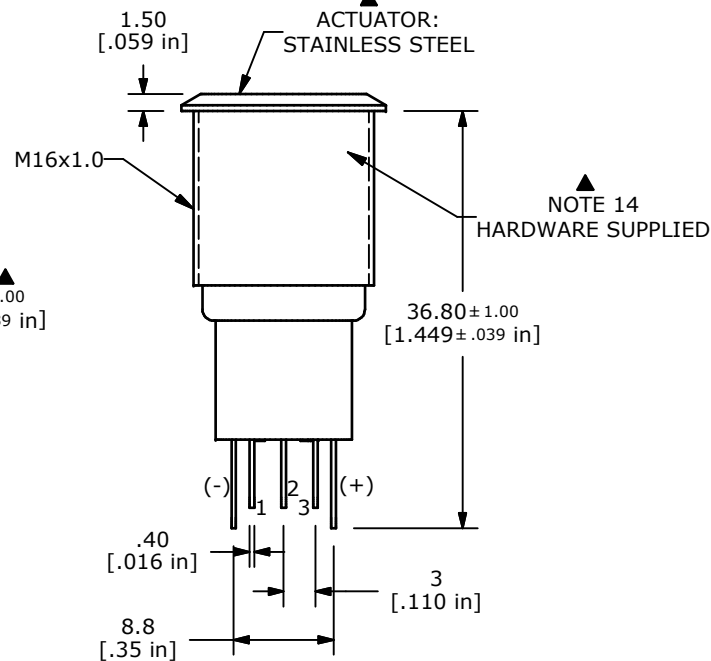


CONTACT CONFIGURATION

▲ BODY:
STAINLESS STEEL



▲ ACTUATOR:
STAINLESS STEEL



- NOTE:
1. ALL DIMENSIONS IN MM [INCH]
 2. GENERAL TOLERANCE: X.X=±0.4
X.XX=±0.25
 3. TERMINAL NUMBERS FOR REF ONLY
 - ▲ 4. CONTACT MATERIAL: SILVER
 5. RATING: 2A 48VDC
 6. ELECTRIC LIFE: 50,000 MAKE-AND-BREAK CYCLES AT FULL LOAD.
 7. INSULATION RESISTANCE: 1,000 MΩ MIN.
 8. DIELECTRIC STRENGTH: 2,000 VAC MIN. FOR 1 MINUTE
 9. CONTACT RESISTANCE: 50mΩ MAX. @ 1A 12VDC
 10. OPERATING TEMP.: -20°C to 55°C
 11. ▲ DENOTES CRITICAL PARAMETER.
 - ▲ 12. LAMP VOLTAGE: 24V
 - ▲ 13. ILLUMINATION COLOR: GREEN
 14. HARDWARE SUPPLIED: O-RING AND HEXNUT
 - ▲ 15. INGRESS RATING: IP67 TO FRONT PANEL
 16. 2002/95/EC (ROHS) COMPLIANT



TITLE PV3WF2B0SS-335

A	21545	INITIAL RELEASE	8/8/14	EBP
REV	PCR NO	DESCRIPTION	DATE	BY

SCALE	DATE 8/8/2014	DR EBP	DWG 52-PV3WF2B0SS335	REV A
-------	------------------	-----------	-------------------------	----------

THE INFORMATION CONTAINED IN THIS DOCUMENT IS PROPRIETARY TO E-SWITCH AND IS NOT TO BE COPIED OR TRANSFERRED