

Ref. No. 000762

2000/10

SLEM_ ~~R/S~~-2

~~Specification~~

SC-SLEM 01 D

Drawing No.

ISA28972-1

ISA28969-1

ISA28968-1

ISA28970-1

ISA28971-1

FCI Japan K. K.

Electronics Division Engineering Section

Certified by H. Takakura

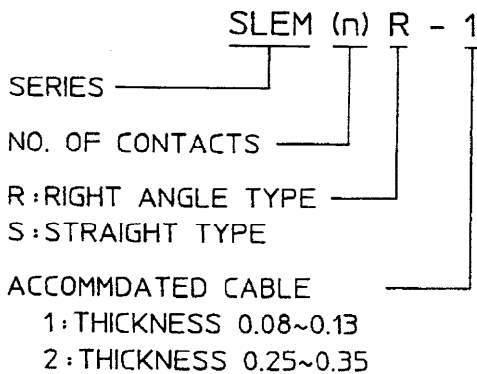
H. Takakura

Manager, Engineering Section

CAT. NO. & DIMENSIONS

| NO. OF CONTACTS (n) | CAT. NO. | | DIMENSIONS (NOTE) | |
|---------------------|------------------|---------------|-------------------|--------|
| | RIGHT ANGLE TYPE | STRAIGHT TYPE | A ±0.3 | B ±0.1 |
| 4 | SLEM4R-1/2 | SLEM4S-1/2 | 11.25 | 6.45 |
| 5 | SLEM5R-1/2 | SLEM5S-1/2 | 12.50 | 7.70 |
| 6 | SLEM6R-1/2 | SLEM6S-1/2 | 13.75 | 8.95 |
| 7 | SLEM7R-1/2 | SLEM7S-1/2 | 15.00 | 10.20 |
| 8 | SLEM8R-1/2 | SLEM8S-1/2 | 16.25 | 11.45 |
| 9 | SLEM9R-1/2 | SLEM9S-1/2 | 17.50 | 12.70 |
| 10 | SLEM10R-1/2 | SLEM10S-1/2 | 18.75 | 13.95 |
| 11 | SLEM11R-1/2 | SLEM11S-1/2 | 20.00 | 15.20 |
| 12 | SLEM12R-1/2 | SLEM12S-1/2 | 21.25 | 16.45 |
| 13 | SLEM13R-1/2 | SLEM13S-1/2 | 22.50 | 17.70 |
| 14 | SLEM14R-1/2 | SLEM14S-1/2 | 23.75 | 18.95 |
| 15 | SLEM15R-1/2 | SLEM15S-1/2 | 25.00 | 20.20 |
| 16 | SLEM16R-1/2 | SLEM16S-1/2 | 26.25 | 21.45 |
| 17 | SLEM17R-1/2 | SLEM17S-1/2 | 27.50 | 22.70 |
| 18 | SLEM18R-1/2 | SLEM18S-1/2 | 28.75 | 23.95 |
| 19 | SLEM19R-1/2 | SLEM19S-1/2 | 30.00 | 25.20 |
| 20 | SLEM20R-1/2 | SLEM20S-1/2 | 31.25 | 26.45 |
| 21 | SLEM21R-1/2 | SLEM21S-1/2 | 32.50 | 27.70 |
| 22 | SLEM22R-1/2 | SLEM22S-1/2 | 33.75 | 28.95 |
| 23 | SLEM23R-1/2 | SLEM23S-1/2 | 35.00 | 30.20 |
| 24 | SLEM24R-1/2 | SLEM24S-1/2 | 36.25 | 31.45 |
| 25 | SLEM25R-1/2 | SLEM25S-1/2 | 37.50 | 32.70 |
| 26 | SLEM26R-1/2 | SLEM26S-1/2 | 38.75 | 33.95 |
| 27 | SLEM27R-1/2 | SLEM27S-1/2 | 40.00 | 35.20 |
| 28 | SLEM28R-1/2 | SLEM28S-1/2 | 41.25 | 36.45 |
| 29 | SLEM29R-1/2 | SLEM29S-1/2 | 42.50 | 37.70 |
| 30 | SLEM30R-1/2 | SLEM30S-1/2 | 43.75 | 38.95 |

STRUCTURE OF CAT. NO.



DRAWING OF PRODUCT (NOTE)

CONNECTORS

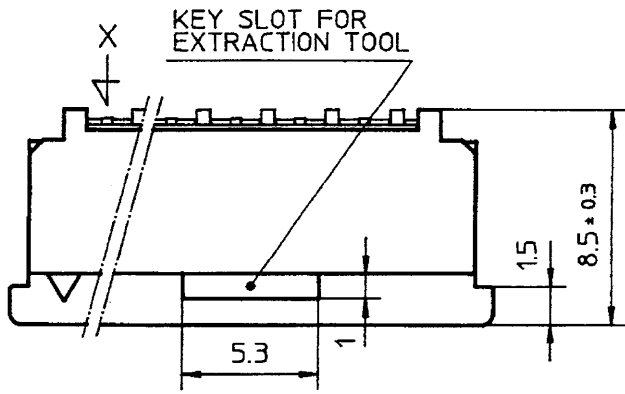
RIGHT ANGLE TYPE : JSA28969
STRAIGHT TYPE : JSA28968

DRAWING OF RECOMMENDED CABLE

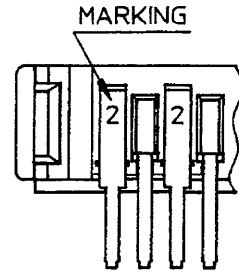
FPC : JSA28970
FFC : JSA28971

NOTE : DIM. A & B REFER TO DWG. OF PRODUCT.

| | | | | | | | |
|----------|-------------|-------------|------|----------|---------------|---|------|
| | | | | SCALE | \times | CAT. NO. TABLE FOR 1.25mm SPACING CONNECTOR FOR FPC/FFC | |
| | | | | DIM. IN | mm | CAT. NO. | |
| 1 | JUN. 2, '98 | REDRAWN M.I | H.T. | DESIGNED | M.Takada | SLEM__R/S-1/2 | |
| REV. | DATE | DESCRIPTION | CKD. | DRAWN | H.Sunagawa | DRAWING NO. | REV. |
| MATERIAL | | | | CHECKED | S.Ito | JSA 28972 | 1 |
| | | | | APPROVED | A.NAKAI | | |
| | | | | DATE | FEB. 10, 1987 | | |

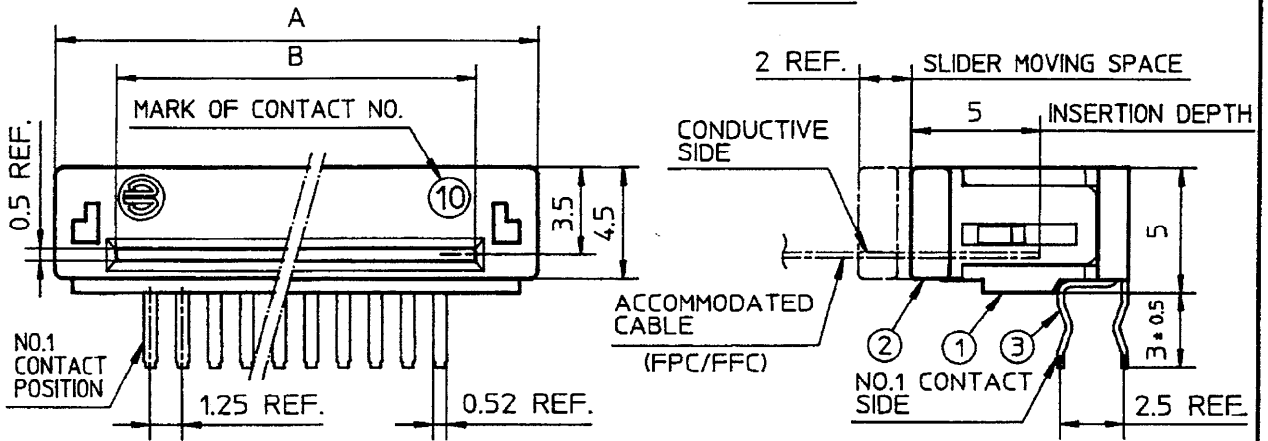


TOLERANCES
UNLESS OTHERWISE SPECIFIED: ±0.2



| CAT. NO. | MARKING |
|------------|---------|
| SLEM(n)R-1 | 1 |
| SLEM(n)R-2 | 2 |

VIEW X



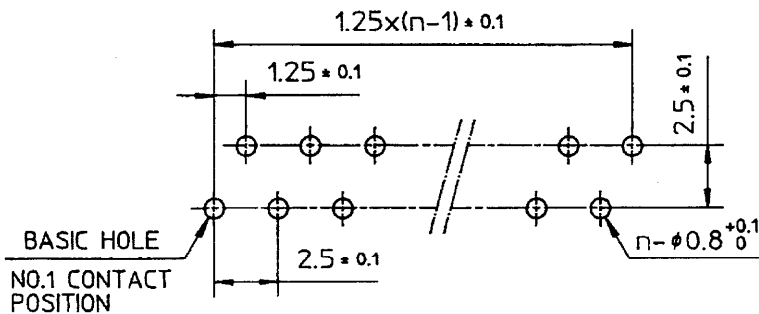
| PT. NO. | PARTS NAME | MATERIAL | Q'TY | NOTE |
|---------|------------|---|------|--------------------|
| 1 | HOUSING | PBT RESIN GLASS REINFORCED (UL94V-0) | 1 | COLOR: BLACK |
| 2 | SLIDER | | 1 | |
| 3 | CONTACT | PHOSPHOR BRONZE | n | PLATING: TIN ALLOY |

n: NO. OF CONTACTS

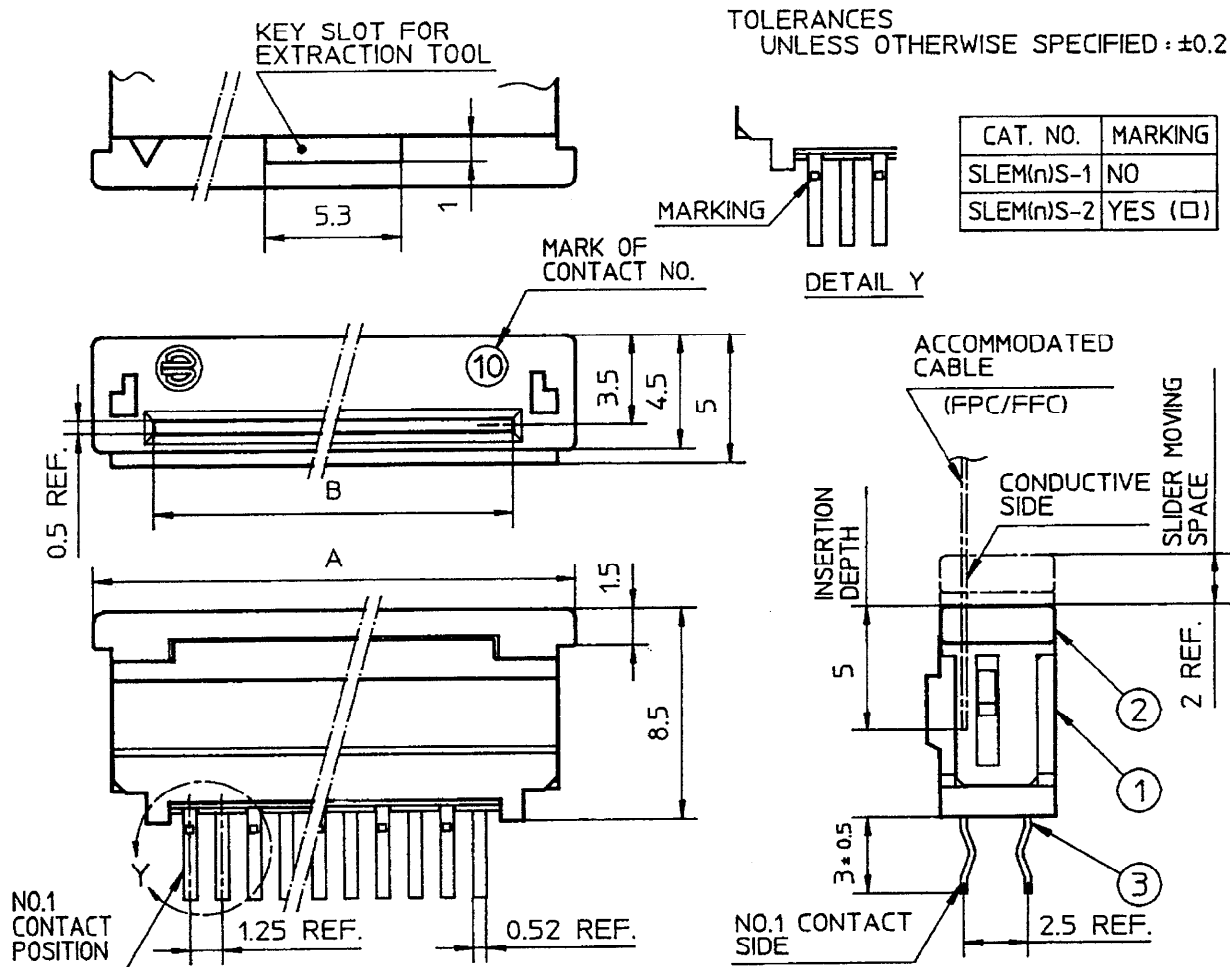
RECOMMENDED PC BOARD

THICKNESS: 1.0~1.6

HOLE PATTERN (COMPONENT SIDE)



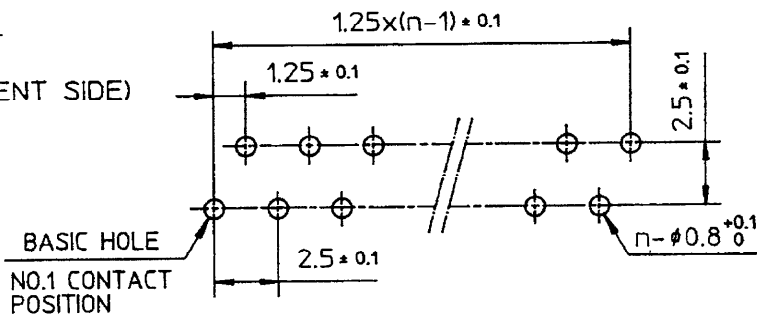
| REV. | DATE | DESCRIPTION | CKD. | DRAWN | DESIGNED | SCALE | DIM. IN | mm | 1.25mm SPACING CONNECTOR FOR FPC/FFC |
|----------|-------------|-------------|------|------------|---------------|-------|---------|----|---|
| 1 | JUN. 2, '98 | REDRAWN M.I | H.T. | H.Sunagawa | M.Takada | × | | | CAT. NO. |
| | | | | | | | | | SLEM__R-1/2 |
| | | | | | | | | | DRAWING NO. |
| | | | | | | | | | JSA 28969 |
| | | | | | | | | | REV. |
| | | | | | | | | | 1 |
| MATERIAL | | | | CHECKED | S.Ito | | | | |
| | | | | APPROVED | A.NAKAI | | | | |
| | | | | DATE | Feb. 10, 1987 | | | | |



| PT. NO. | PARTS NAME | MATERIAL | Q'TY | NOTE |
|---------|------------|---|------|--------------------|
| 1 | HOUSING | PBT RESIN GLASS REINFORCED (UL94V-0) | 1 | COLOR: BLACK |
| 2 | SLIDER | | 1 | |
| 3 | CONTACT | PHOSPHOR BRONZE | n | PLATING: TIN ALLOY |

n: NO. OF CONTACTS

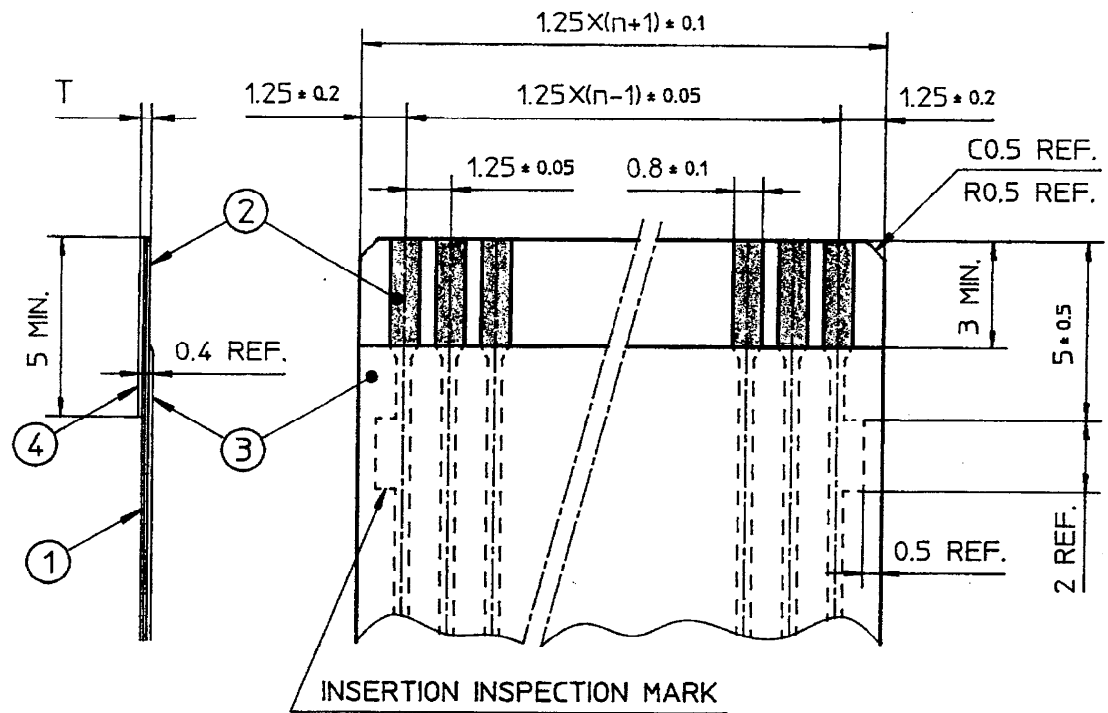
RECOMMENDED PC BOARD
THICKNESS: 1.0~1.6
HOLE PATTERN (COMPONENT SIDE)



| | | | | SCALE | \times | 1.25mm SPACING CONNECTOR FOR FPC/FFC | |
|----------|-------------|-------------|------|----------|---------------|--------------------------------------|------|
| | | | | DIM. IN | mm | CAT. NO. | |
| 1 | JUN. 2, '98 | REDRAWN | M.1 | DESIGNED | M.Takada | SLEM_S-1/2 | |
| REV. | DATE | DESCRIPTION | CKD. | DRAWN | H.Sunagawa | DRAWING NO. | REV. |
| MATERIAL | | | | CHECKED | S.Ito | JSA 28968 | 1 |
| | | | | APPROVED | A.NAKAI | | |
| | | | | DATE | Feb. 10, 1987 | | |

RECOMMENDED CABLE (FPC)

n : NO. OF CONDUCTORS



| PT. NO. | PARTS NAME | MATERIAL |
|---------|-----------------|--|
| 1 | BASE FILM | POLYIMIDE OR EQUAL |
| 2 | CONDUCTOR | COPPER FOIL (PLATING : TIN OR SOLDER 1μm MIN.) |
| 3 | OVERLAY | POLYIMIDE OR EQUAL |
| 4 | SUPPORTING TAPE | POLYESTER, POLYIMIDE OR EQUAL |

THICKNESS

| SUPPORTING TAPE | ACCOMMODATED CONNECTOR CAT. NO. | DIMENSION T |
|-----------------|---------------------------------|-------------|
| NO | SLEM__R/S-1 | 0.08~0.13 |
| YES | SLEM__R/S-2 | 0.25~0.35 |

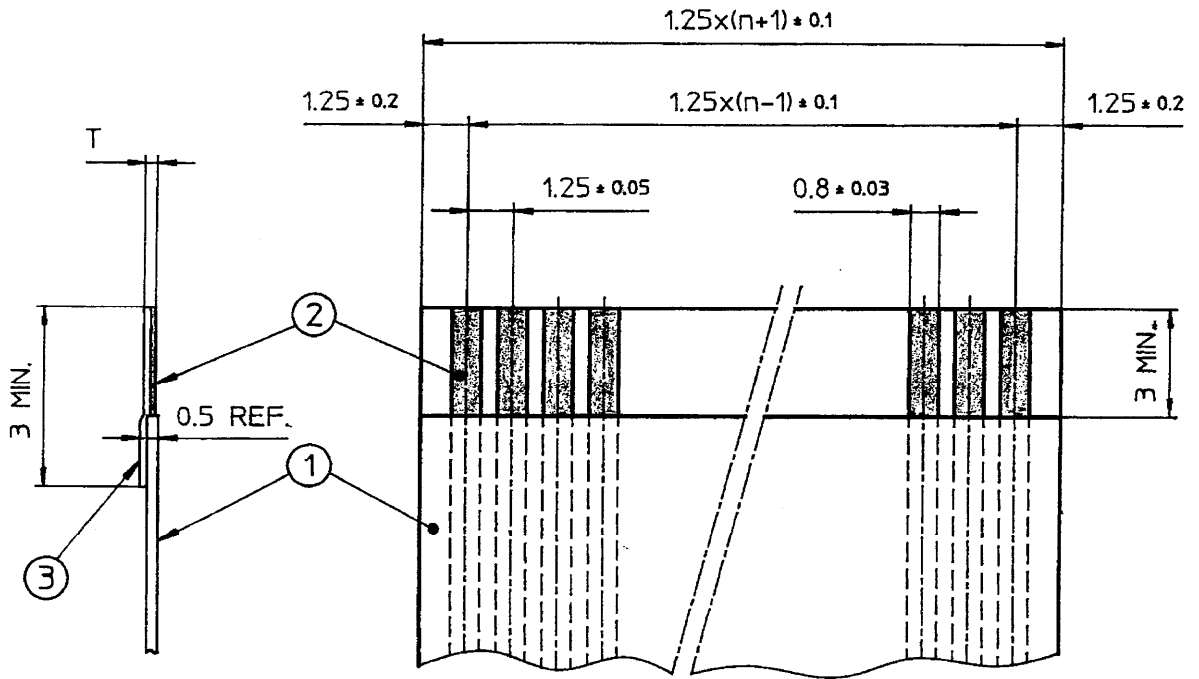
NOTES

1. NO BURR AT EACH PORTION.
2. NO PEELING IN COMMON USE.

| | | | | SCALE | ∞ | RECOMMENDED CABLE (FPC) | |
|----------|------------|--------------------------------|-------|----------|---------------|-------------------------|------|
| | | | | DIM. IN | mm | CAT. NO. | |
| 1 | Oct. 15'98 | PLATING THICKNESS CHANGED. M.I | H.I.T | DESIGNED | M.Takada | SLEM __R/S-1/2 | |
| REV. | DATE | DESCRIPTION | CKD. | DRAWN | H.Sunagawa | DRAWING NO. | REV. |
| MATERIAL | | | | CHECKED | S.Ito | JSA 28970 | 1 |
| | | | | APPROVED | A.NAKAI | | |
| | | | | DATE | Feb. 10. 1987 | | |

RECOMMENDED CABLE (FFC)

n : NO. OF CONDUCTORS



| PT. NO. | PARTS NAME | MATERIAL |
|---------|-----------------|---|
| 1 | INSULATOR | POLYESTER OR EQUAL |
| 2 | CONDUCTOR | COPPER FOIL(PLATING : TIN OR SOLDER 1μm MIN.) |
| 3 | SUPPORTING TAPE | POLYESTER OR EQUAL |

THICKNESS

| SUPPORTING TAPE | ACCOMMODATED CONNECTOR CAT. NO. | DIMENSION T |
|-----------------|---------------------------------|-------------|
| YES | SLEM_R/S-2 | 0.25~0.35 |

NOTES

1. NO BURR AT EACH PORTION.
2. NO PEELING IN COMMON USE.

| | | | | SCALE | ∕ | RECOMMENDED CABLE (FFC) | |
|------|------------|--------------------------------|------|----------|---------------|-------------------------|------|
| | | | | DIM. IN | mm | CAT. NO. | |
| 1 | Oct, 15'98 | PLATING THICKNESS CHANGED. M.I | H.T. | DESIGNED | M.Takada | SLEM_R/S-2 | |
| REV. | DATE | DESCRIPTION | CKD. | DRAWN | H.Sunagawa | DRAWING NO. | REV. |
| | | MATERIAL | | CHECKED | S.Ito | JSA 28971 | 1 |
| | | | | APPROVED | A.NAKAI | | |
| | | | | DATE | Feb. 10, 1987 | | |