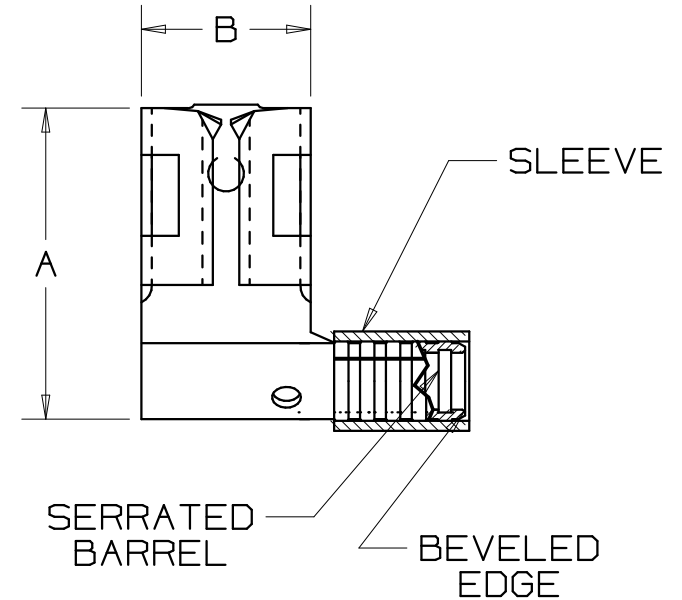
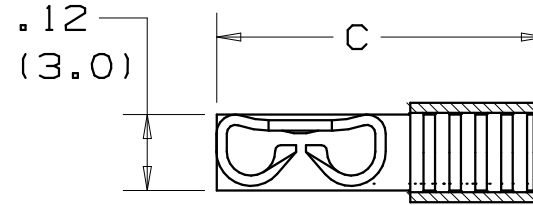


PART NUMBER	TAB SIZE	WIRE RANGE AWG	DIMENSIONS in.		
			A ±.02	B ±.01	C ±.03
DR18-205	OR .205 X .032 .187 X .032	22-18	.53 (13.5)	.25 (6.4)	.54 (13.7)
DR14-205	OR .205 X .032 .187 X .032	16-14	.55 (14.0)	.25 (6.4)	.54 (13.7)
DR18-206	OR .205 X .020 .187 X .020	22-18	.53 (13.5)	.25 (6.4)	.54 (13.7)
DR14-206	OR .205 X .020 .187 X .020	16-14	.55 (14.0)	.25 (6.4)	.54 (13.7)

NOTES:

- UL LISTED AND CSA CERTIFIED FOR:
 - 302° F (150° C) MAX. TEMP. RATING
 - STRANDED COPPER WIRE ONLY
- MATERIAL:
 - STAMPING - .018" (0.46) THK BRASS, TIN PLATED
 - SLEEVE - BRASS, TIN PLATED
- PACKAGE QTY: STD. PKG. - C = 100
BULK PKG. - M = 1000
- FIRST INSERTION FORCE - 12 LB. (53N) MAX
FIRST WITHDRAWAL FORCE - 12 LB. (53N) MAX
6 LB. (27N) MIN
- DIMENSIONS IN BRACKETS ARE IN MILLIMETERS
- INSTALLATION TOOLS:
 - UL LISTED AND CSA CERTIFIED: CT-100, CT-200, CT-570, CT-1570
 - PANDUIT APPROVED: CT-160
- WIRE STRIP LENGTH: 9/32 $\pm 1/32$ (7.1 ± 0.8)



LISTED
20H3
E78522



CERTIFIED
LR31212

6	7/06	DAW	DAW	.12 HEIGHT OVER CURLS WAS .11	TR00146			
5	1/01	RM		FILESPEC WAS N41328AA_PCD_04	08925	JAC	CCH	
4	4-98	ED		ADDED SLOTS TO DRWG.	06755			
3	12-95	ED		REV.S TO NOTES AND DRWNG.	03834	LA	TFK	
2	8-88	DW		REDRAWN WITH REVISIONS			JRB	
REV	DATE	BY	CHK	DESCRIPTION	ECN #	CUST	PM	APP

A41328_06

PANDUIT CORP.

TINLEY PARK, ILLINOIS

NON-INSULATED, SLEEVED RIGHT ANGLE
FEMALE DISCONNECT .205/.206 SERIES

DRAWN BY DAW	CHK'D	SCALE NONE	DRAWING NO. A41328
-----------------	-------	---------------	-----------------------