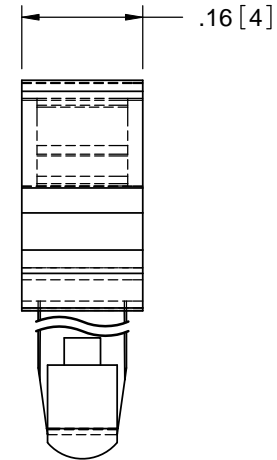
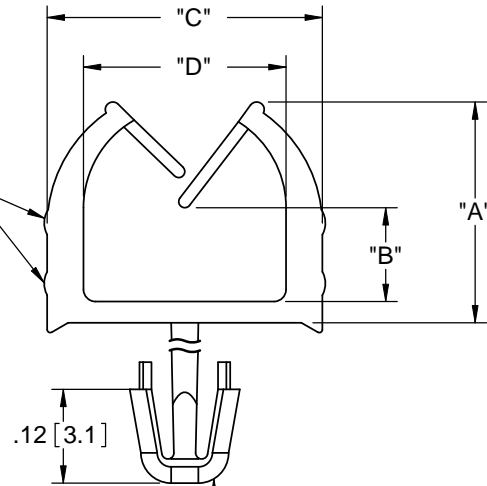


NYLON 6/6 (RMS-01) COLOR: NATURAL PART NO.	FLAME RETARDANT NYLON 6/6 (RMS-19) COLOR: NATURAL PART NO.	"A" REF.	"B" REF.	"C" REF.	"D" REF.	NOMINAL PANEL THICKNESS
*MWSEA1-1-01	*MWSEA1-1-19	.29 (7.3)	.12 (3.0)	.36 (9.1)	.26 (6.7)	.063 (1.6)
MWSEA1-2-01	MWSEA1-2-19	.36 (9.1)	.16 (3.9)	.42 (10.8)	.32 (8.1)	
MWSEA1-3-01	MWSEA1-3-19	.44 (11.2)	.24 (6.0)	.47 (12.0)	.36 (9.1)	
MWSEA1-4-01	MWSEA1-4-19	.51 (13.0)	.30 (7.7)			
*MWSEA1-1-1-01	*MWSEA1-1-1-19	.29 (7.3)	.12 (3.0)	.36 (9.1)	.26 (6.7)	.093 (2.36)
MWSEA1-1-2-01	MWSEA1-1-2-19	.36 (9.1)	.16 (3.9)	.42 (10.8)	.32 (8.1)	
MWSEA1-1-3-01	MWSEA1-1-3-19	.44 (11.2)	.24 (6.0)	.47 (12.0)	.36 (9.1)	
MWSEA1-1-4-01	MWSEA1-1-4-19	.51 (13.0)	.30 (7.7)			

*SLIGHT PROTRUSIONS
MAY APPEAR ON PARTS



TO SNAP-LOCK IN A .118±.002
[3.0± 0.05] HOLE DIA. IN A
PANEL THICKNESS INDICATED

REV.			TITLE: MICRO WIRE SADDLE				DWG IN IN [MM]		FINAL		PRINT TYPE	
E	SEE CO 200190 FOR CHANGES	S.K. 05/22/08	FILE #: MWSEA1	DWN: SM	APP: -	PART #		SEE TABLE		CA		
D	COMPLETELY REDRAWN. SEE ECN #709	S.M. 10.06.03	SHEET: 1 OF 1	SHEET SIZE: A	DT: 10/06/03							CHKD: -
C	UPDATED TABLE, AND ADDED .093 [2.36] PANEL THK.	S.M. 05.01.02	RE: RICHCO, INC.		RICHCO, INC.		ENG@RICHCO-INC.COM (773) 539-4060					
B	P/N FOR RMS-19 ADDED TO TABLE	J.L. 08.08.00										
A	PART # CHART ADDED, DIM [4.0] WAS [4.3]	J.L. 03.06.98										
REV.	DESCRIPTION	ENGR. DATE										

CREATED USING
SOLIDWORKS
TOLERANCES
UNLESS NOTED
.XX=±.010
.XXX=±.005
FRAC.=±1/64
ANG.=±1°