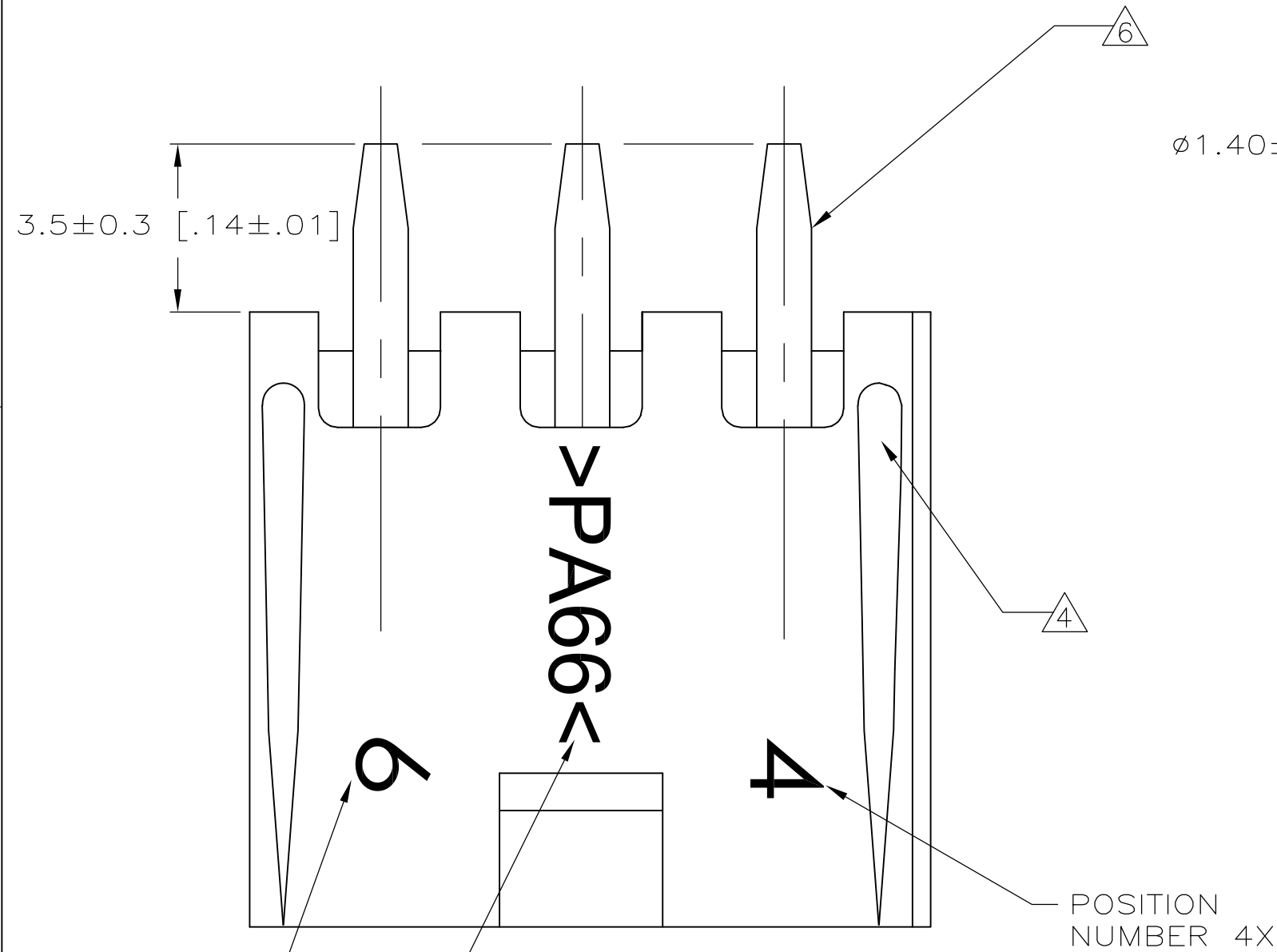


THIS DRAWING IS UNPUBLISHED. RELEASED FOR PUBLICATION
 © COPYRIGHT BY TYCO ELECTRONICS CORPORATION. ALL RIGHTS RESERVED.

LOC	DIST	REVISIONS			
P	LTR	DESCRIPTION	DATE	DWN	APVD
C		ECO-07-021904	18SEP07	KW	CC



$\phi 1.40 \pm 0.05$ [$\phi .055 \pm .002$]
6X

5.5 ± 0.1 [$.22 \pm .00$]

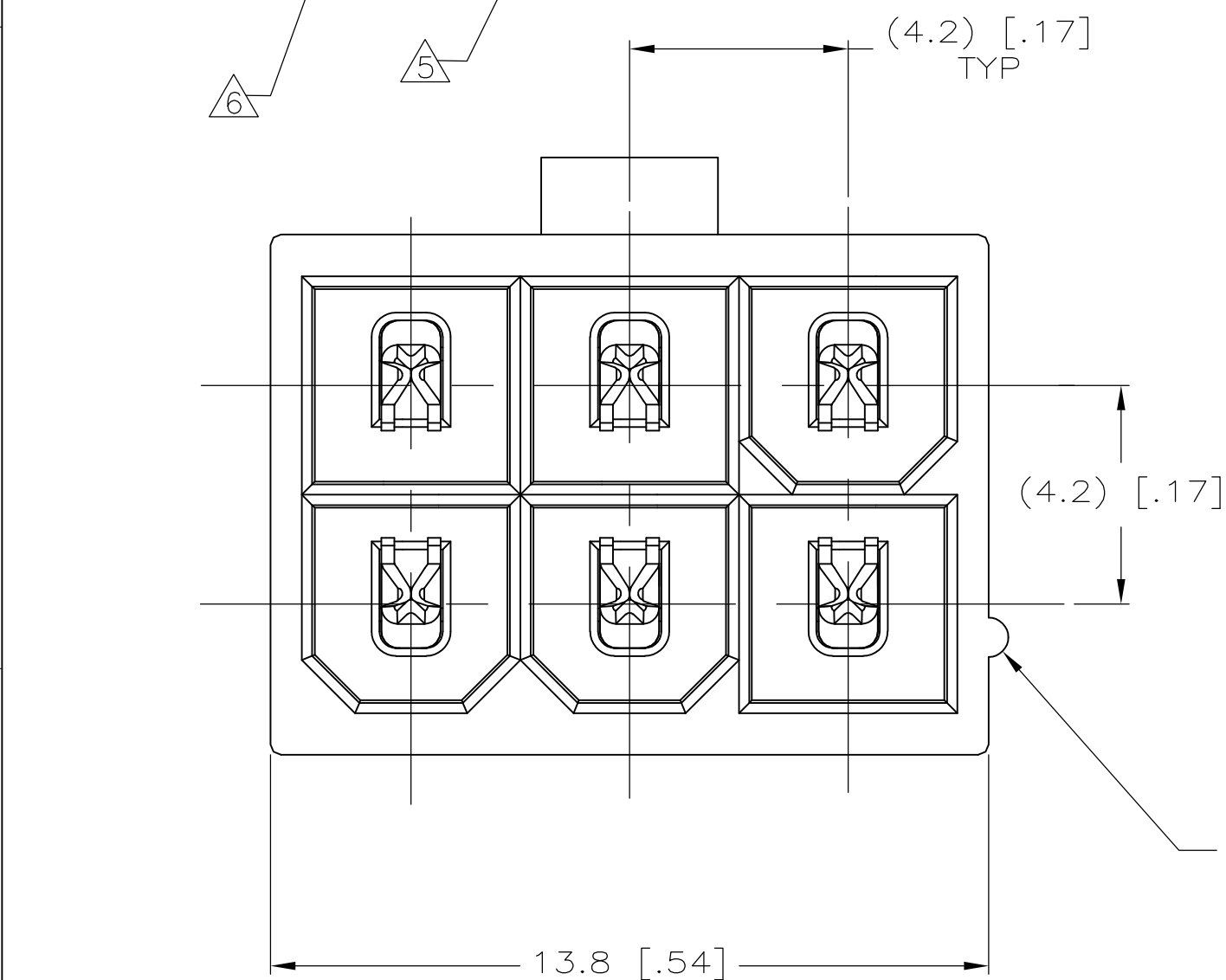
4.2 ± 0.1 [$.17 \pm .00$]
TYP NON-CUMULATIVE

POSITION NUMBER 4X

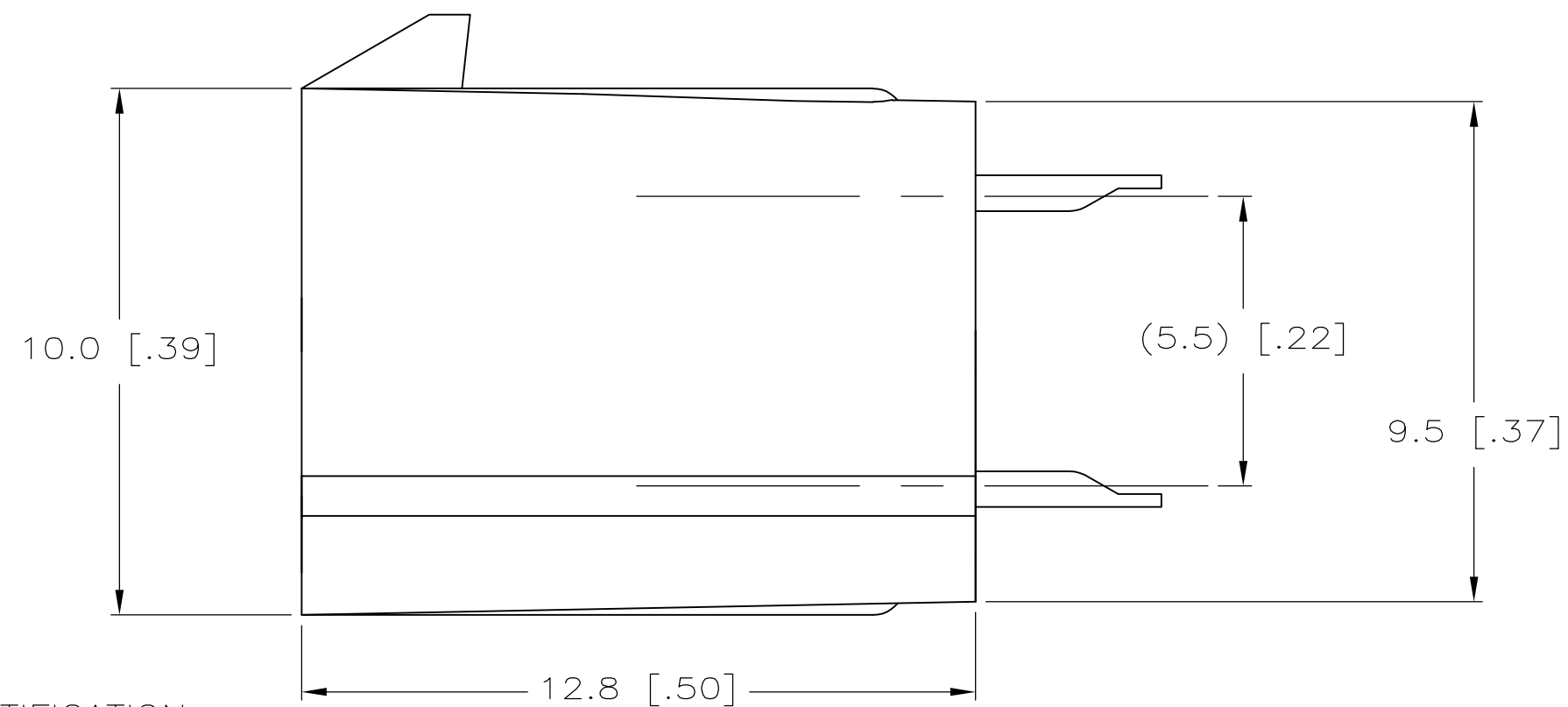
RECOMMENDED MOUNTING HOLE PATTERN FOR 1.78 [.070] MAXIMUM THICK P.C. BOARD COMPONENT SIDE SHOWN.

- 1 MATERIAL: HOUSING-NYLON, UL94V-2, COLOR-YELLOW, CONTACTS-0.25 [.010] THICK COPPER ALLOY.
- 2 CONTACT FINISH: 0.003 [.0001] MINIMUM THICK TIN-LEAD OVER 0.00127 [.000050] MINIMUM THICK NICKEL OVER ENTIRE CONTACT.
- 3. SOLDER TAIL MEETS AMP SOLDERABILITY SPECIFICATION 109-11-2.
- 4 RIBS ON FOUR CORNERS OPTIONAL.
- 5 AMP LOGO AND MATERIAL ID MAY BE LOCATED ON EITHER LONG SIDE OF PART.
- 6 SIZE, SHAPE OR STYLE OF THIS FEATURE MAY VARY.
- 7 CONTACT FINISH: 0.003 [.0001] MINIMUM THICK TIN OVER 0.00127 [.000050] MINIMUM THICK NICKEL OVER ENTIRE CONTACT.

POSITION #1



POSITION #1 IDENTIFICATION FEATURE



1-1586120-1	1586120-1
FINISH	PART NUMBER

SUPERSEDED BY 1-158620-1

THIS DRAWING IS A CONTROLLED DOCUMENT.		DWN S. HOOVER 22-SEP-2003	Tyco Electronics Tyco Electronics Corporation Harrisburg, Pa 17105-3608	
DIMENSIONS: mm [INCHES]		CHK D. COLEY 22-SEP-2003	NAME	
TOLERANCES UNLESS OTHERWISE SPECIFIED:		APVD D. COLEY 22-SEP-2003	ASSEMBLY, HEADER, VERTICAL, TIN PLATED, W/O PEGS, W/O DRAIN HOLES, 94V-2, AMP-DUAC(TM) POWER CONNECTOR	
0 PLC ±	1 PLC ± 0.2 [.01]	PRODUCT SPEC	SIZE A2	CAGE CODE 00779
2 PLC ± 0.13 [.005]	3 PLC ±	APPLICATION SPEC	DRAWING NO C=1586120	RESTRICTED TO
4 PLC ±	ANGLES ± 0°30'	WEIGHT	SCALE 8:1	SHEET 1 OF 1
MATERIAL	FINISH SEE TABLE	CUSTOMER DRAWING	REV C	

METRIC