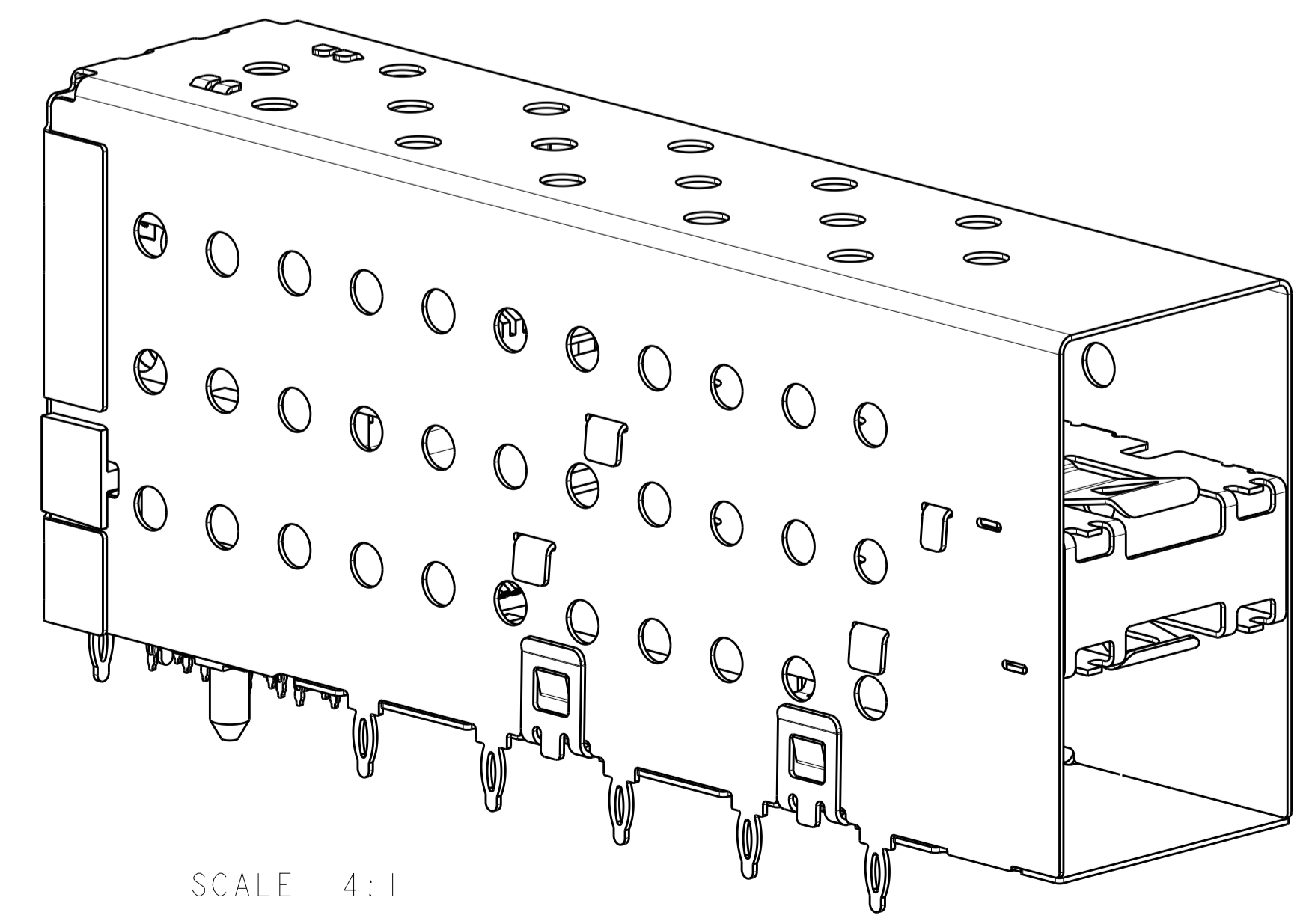
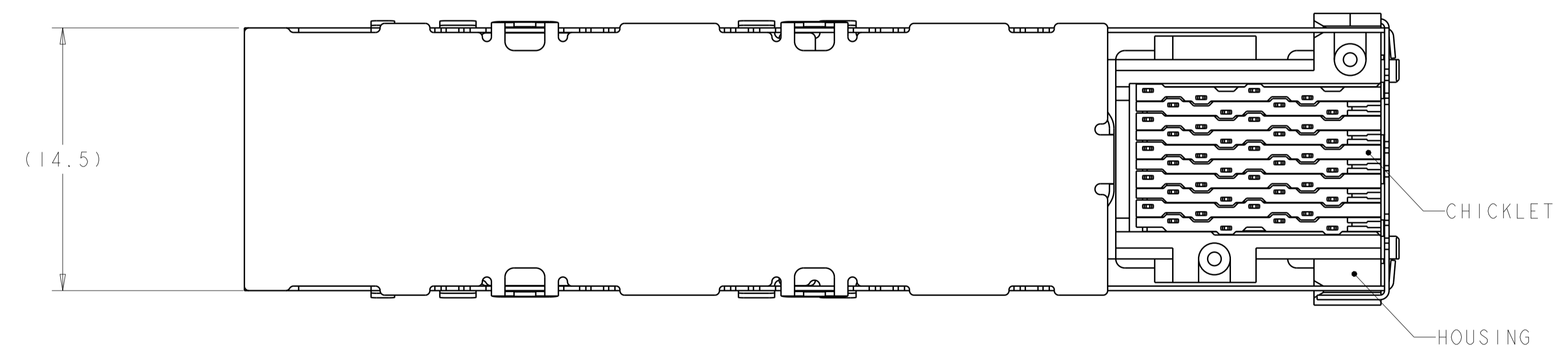
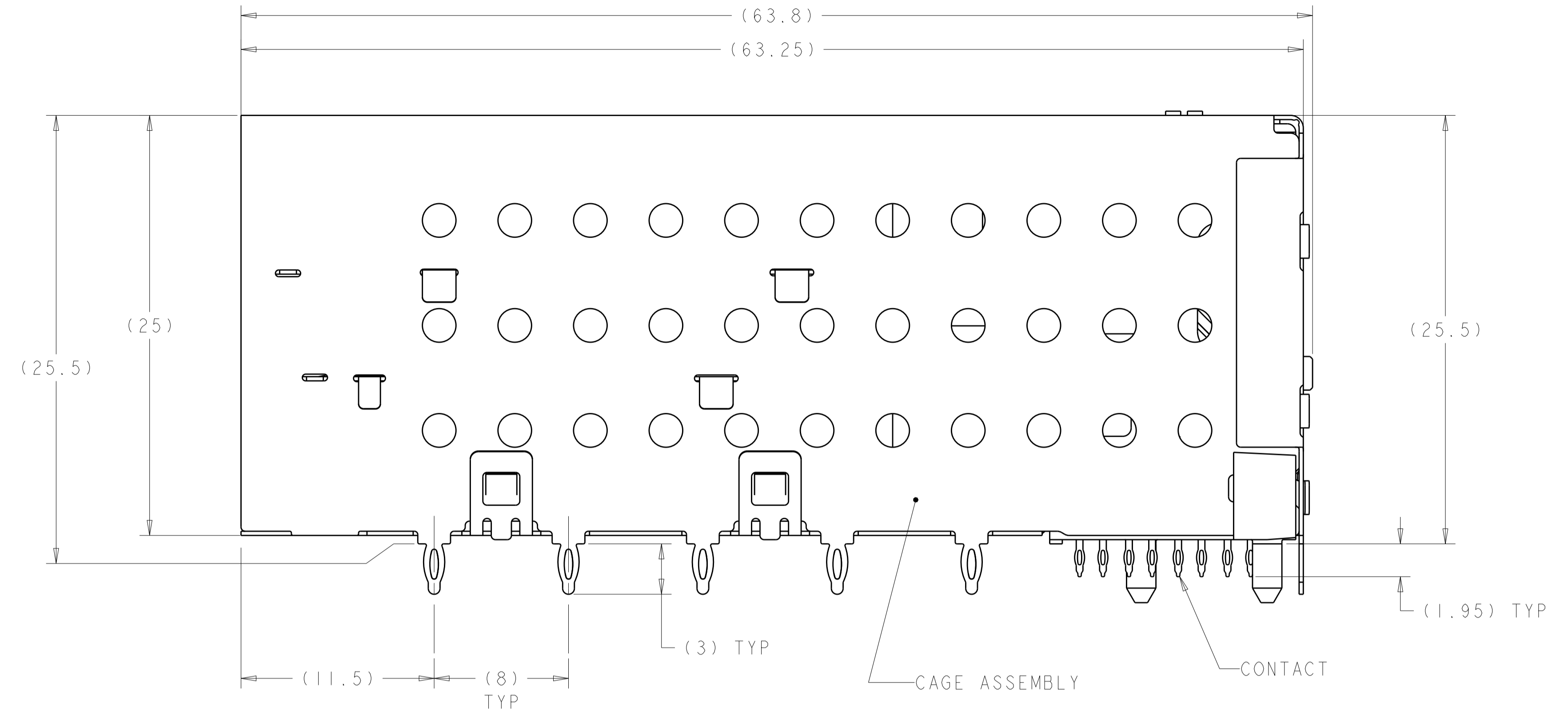
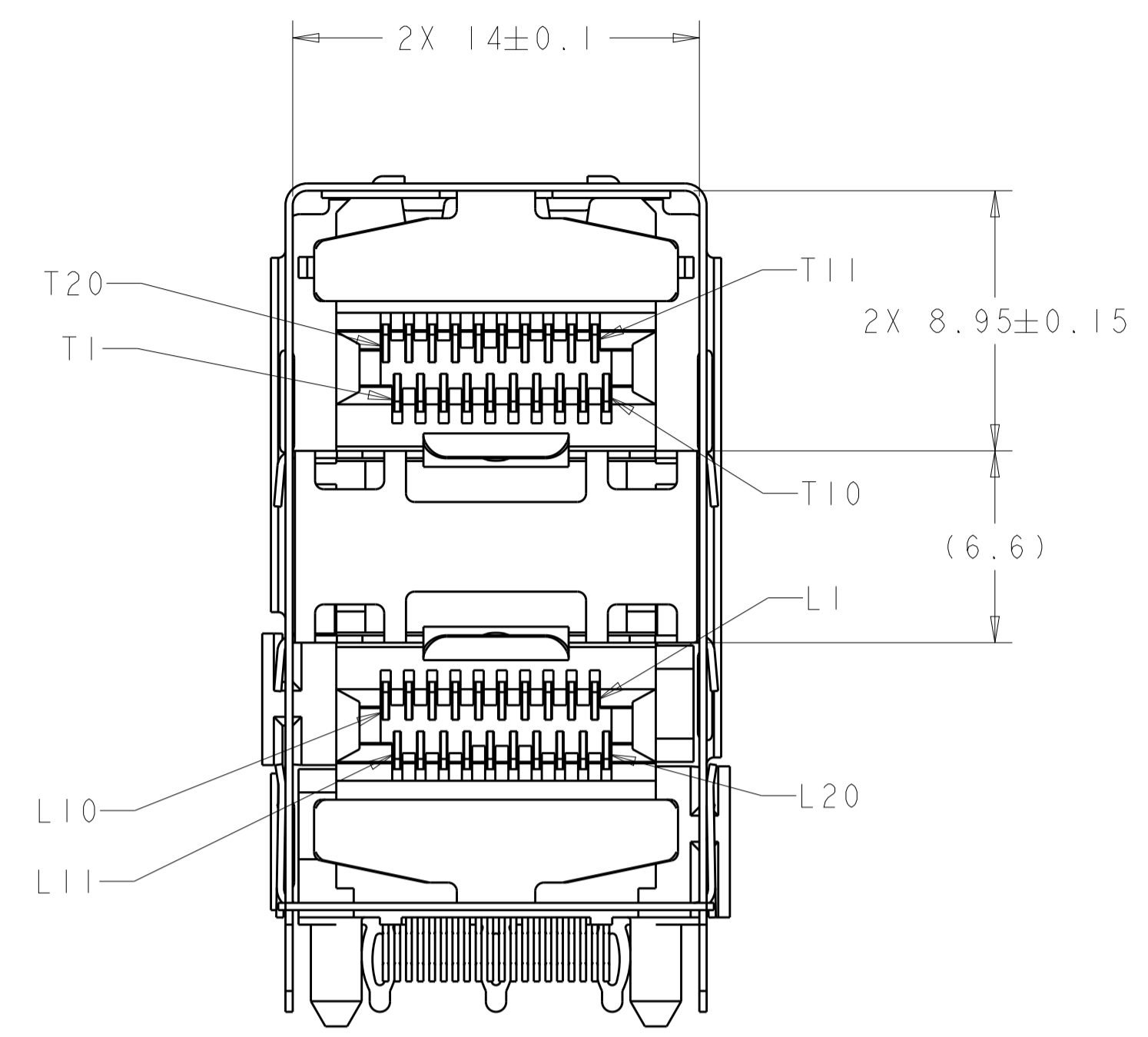


REVISIONS					
P	LTN	DESCRIPTION	DATE	DMN	APVD
1		ORIGINAL	07AUG2013	BM	PR

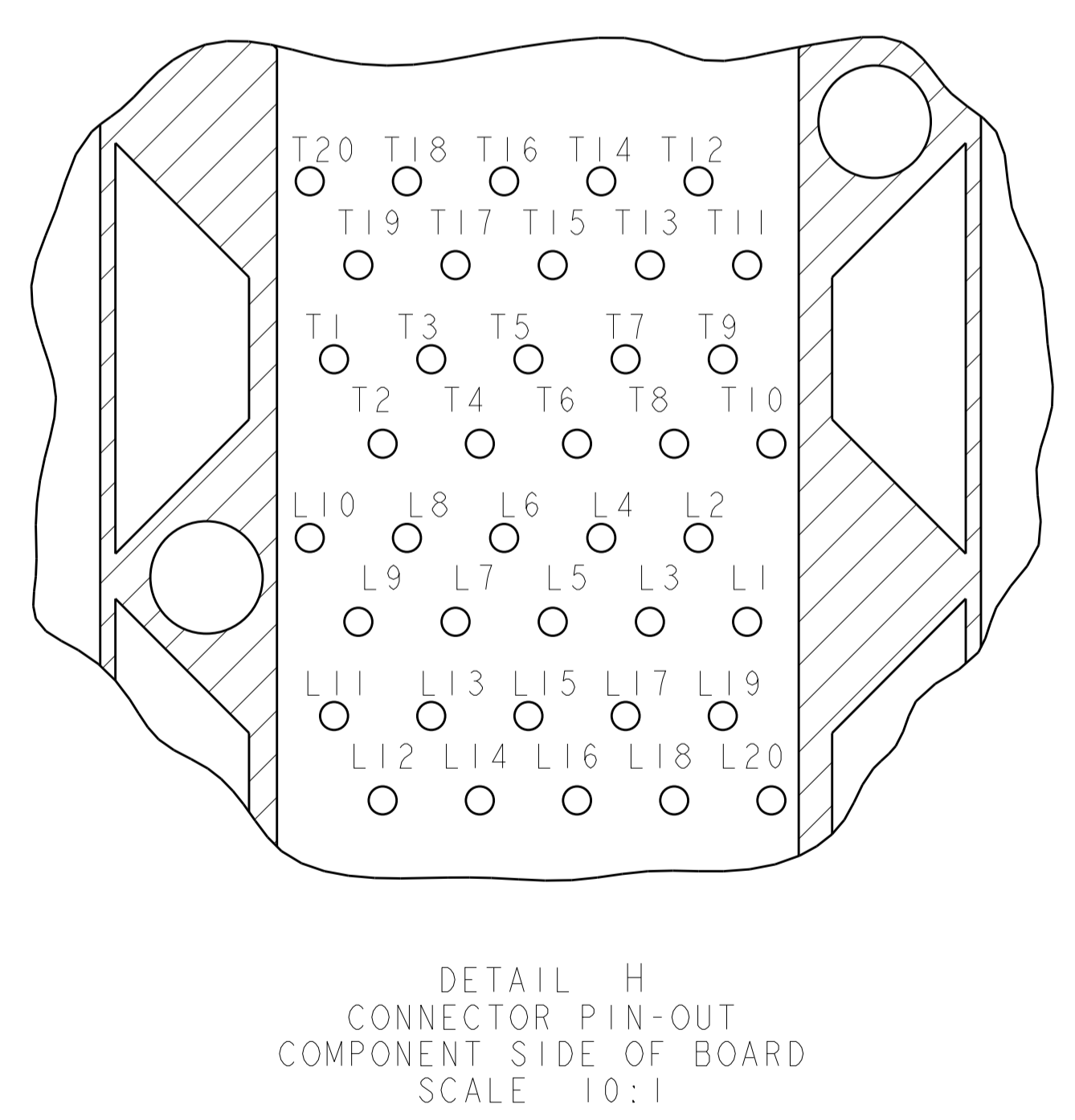
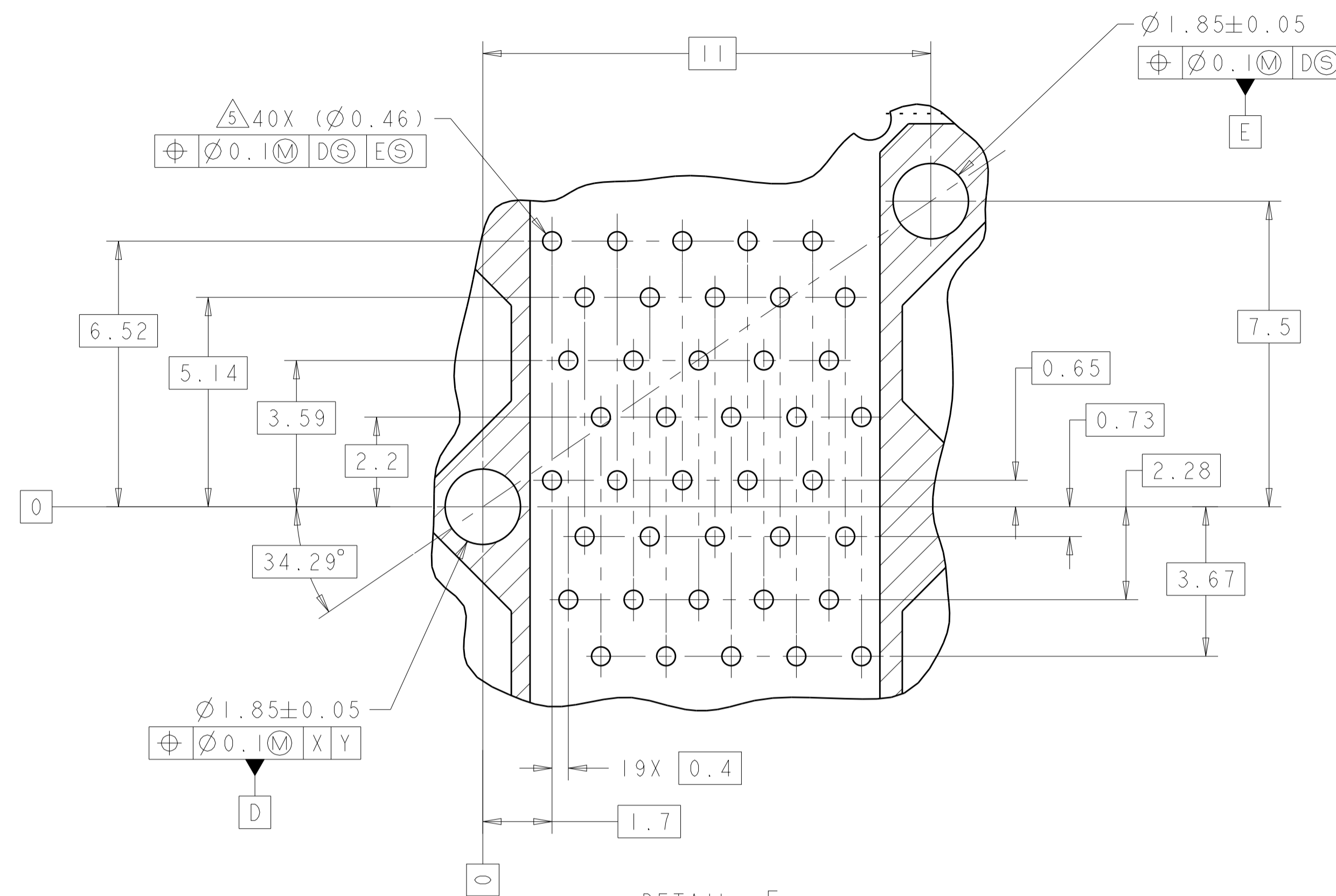
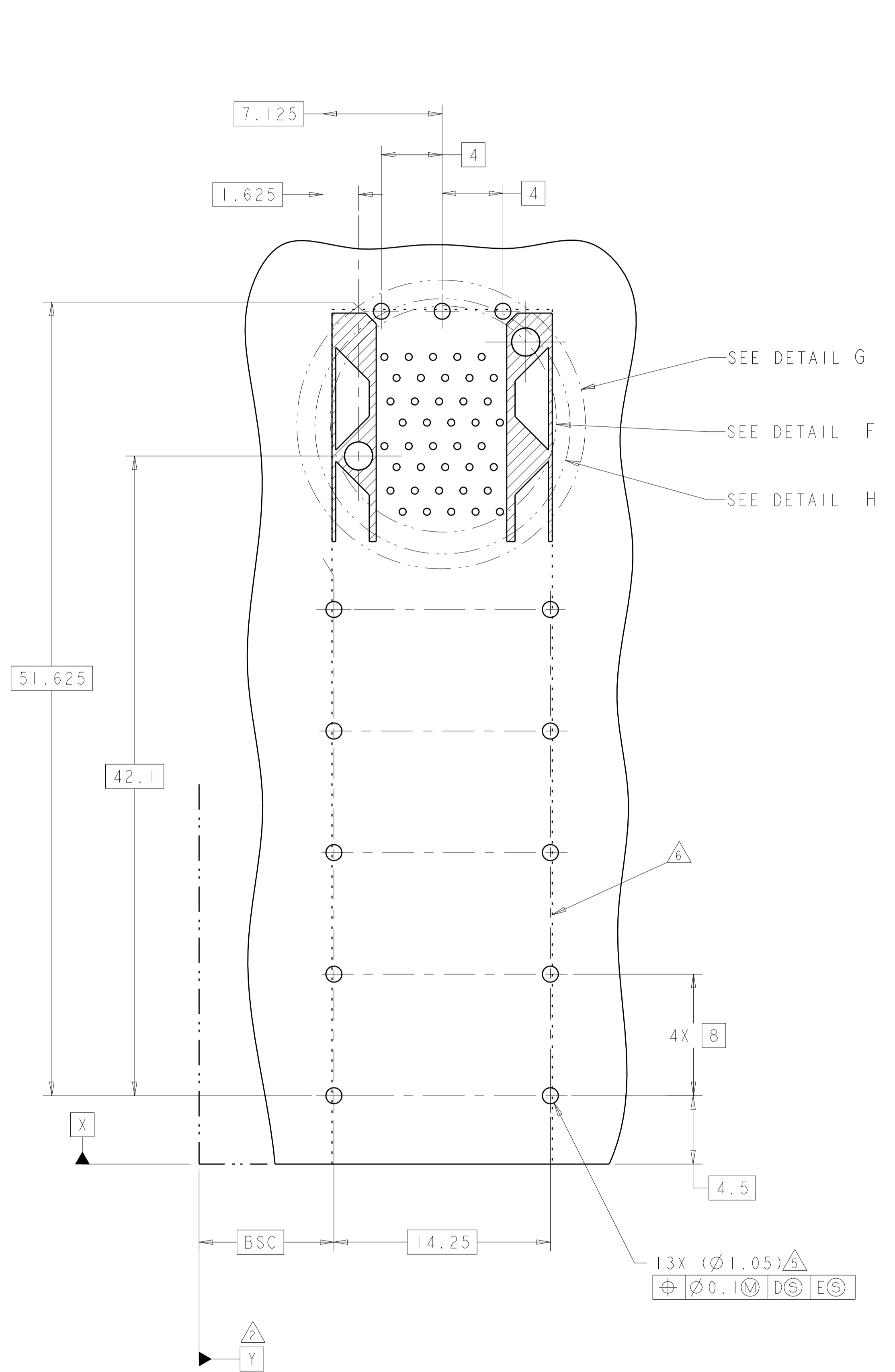


- 1 MATERIALS:
 CAGE ASSEMBLY- NICKEL SILVER ALLOY PER ASTM B 122.
 HOUSING- BLACK LCP, UL 94V-0 RATED.
 CHICKLET- BLACK LCP, UL 94V-0 RATED.
 CONTACT- COPPER ALLOY.
- 2 DATUM AND BASIC DIMENSIONS ESTABLISHED BY CUSTOMER.
- 3. MINIMUM PCB THICKNESS OF 1.5.
- 4 CONTACT FINISH- CONFORMS TO THE REQUIREMENTS OF TYCO ELECTRONICS PRODUCT SPECIFICATION 108-2331, BASED ON EIA/ECA-364-1000.01A, (CONTROLLED ENVIRONMENT APPLICATIONS) ON MATING INTERFACE, TIN ON NEEDLE EYE.
- 5 FOR HOLE SIZE AND PLATINGS, SEE APPLICATION SPEC 114-13219.
- 6 THE ENTIRE AREA OF THE CONNECTOR FOOTPRINT, INDICATED BY THE DASHED LINE, TO BE CONSIDERED THE KEEPOUT AREA FOR COMPONENTS AND SIGNAL TRACES, TOP SIDE ONLY. TOP SIDE TRACES ALLOWED WITHIN CONNECTOR HOLE PATTERN.

2149102-1
 PART NUMBER

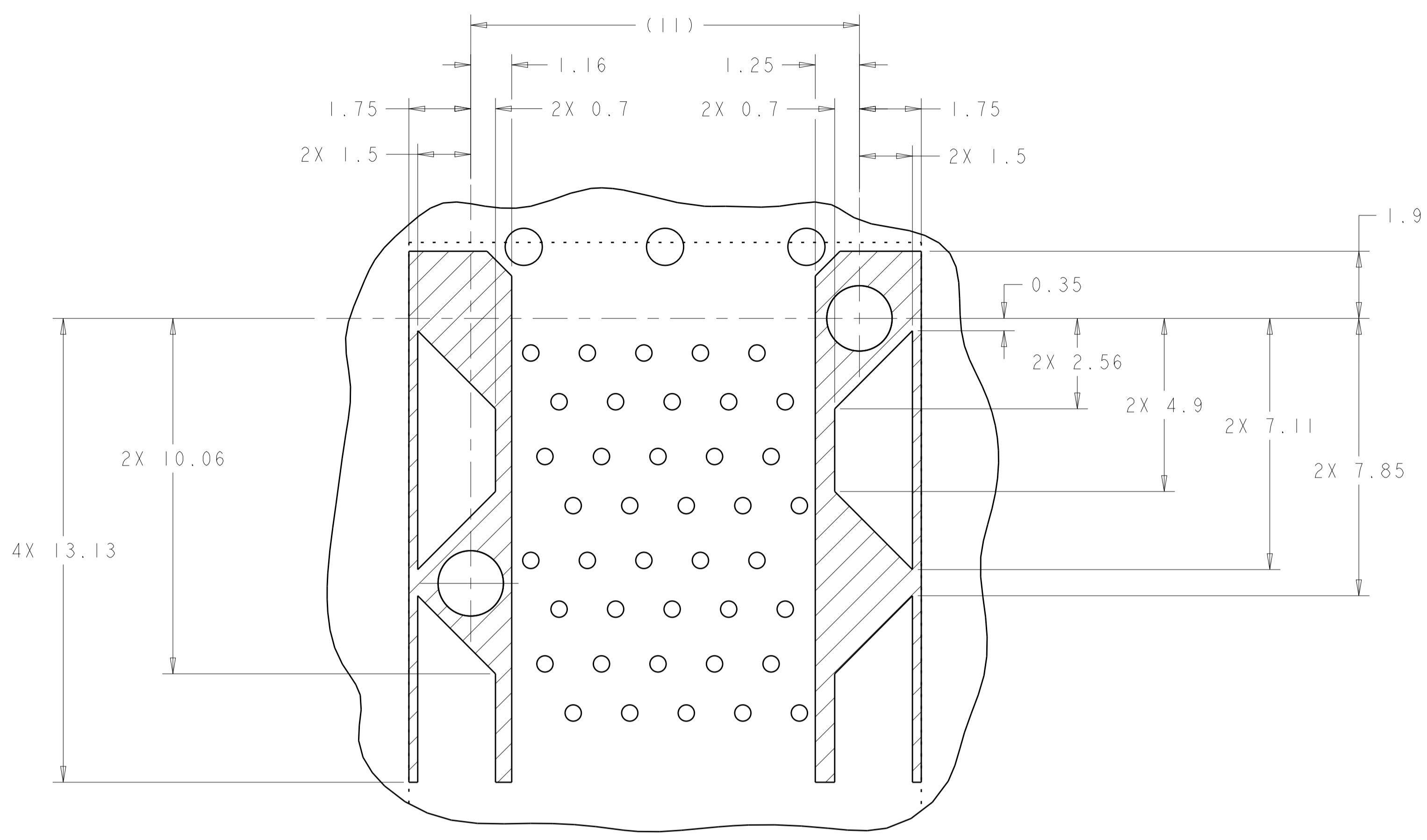
THIS DRAWING IS A CONTROLLED DOCUMENT.		DMN: B MATTHEWS 07AUG2013		
DIMENSIONS: mm		CHK: P RECCO 07AUG2013		
TOLERANCES UNLESS OTHERWISE SPECIFIED:		APVD: P RECCO 07AUG2013		
0 PLC ± 0.10 1 PLC ± 0.10 2 PLC ± 0.10 3 PLC ± 0.10 4 PLC ± 0.10 ANGLES \pm		NAME: CAGE AND PT CONNECTOR ASSEMBLY PRODUCT SPEC: 108-2331 APPLICATION SPEC: 114-13219 SIZE: A1 CAGE CODE: 2149102 DRAWING NO: 100779 WEIGHT: - RESTRICTED TO: - Customer Drawing		
MATERIAL: TBD	FINISH: 1	SCALE: 5:1	SHEET: 1 OF 3	REV: 1

REVISIONS				
P.	LTN	DESCRIPTION	DATE	APVD
-	-	SEE SHEET 1	-	-

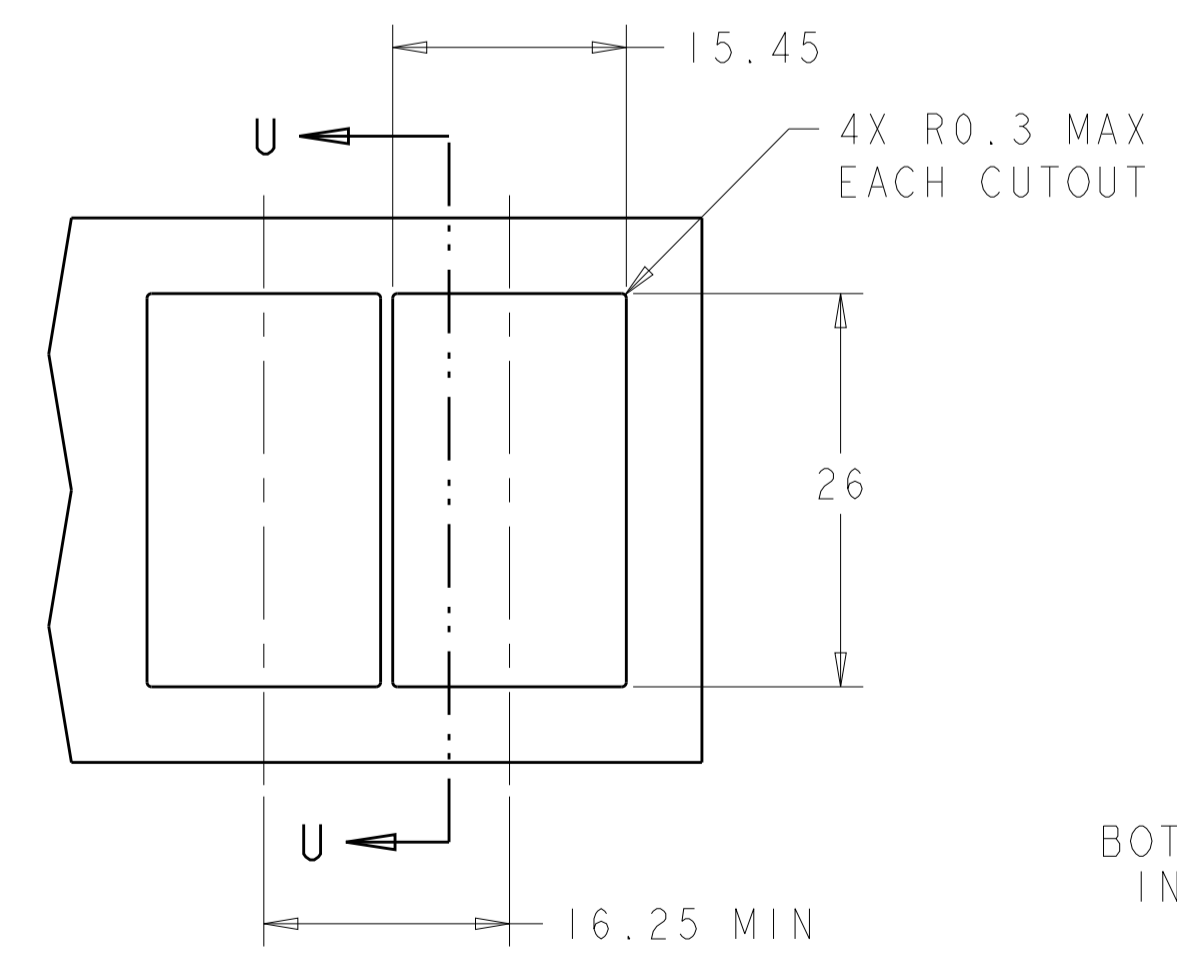


THIS DRAWING IS A CONTROLLED DOCUMENT.		OWN: B. MATTHEWS 07AUG2013	TE Connectivity
DIMENSIONS: mm		CHK: P. RECCE 07AUG2013	
TOLERANCES UNLESS OTHERWISE SPECIFIED:		APVD: P. RECCE 07AUG2013	NAME: CAGE AND PT CONNECTOR ASSEMBLY, PRESS FIT, 2X1, STACKED SFP+
0 PLC ±0.10	1 PLC ±0.10	PRODUCT SPEC: 108-2331	SIZE: A1
2 PLC ±0.10	3 PLC ±0.10	APPLICATION SPEC: 114-13219	CAGE CODE: 2149102
4 PLC ±0.10	ANGLES ±°	WEIGHT: -	RESTRICTED TO: -
MATERIAL: TBD	FINISH: -	Customer Drawing	SCALE: 5:1 SHEET: 2 OF 3 REV: 1

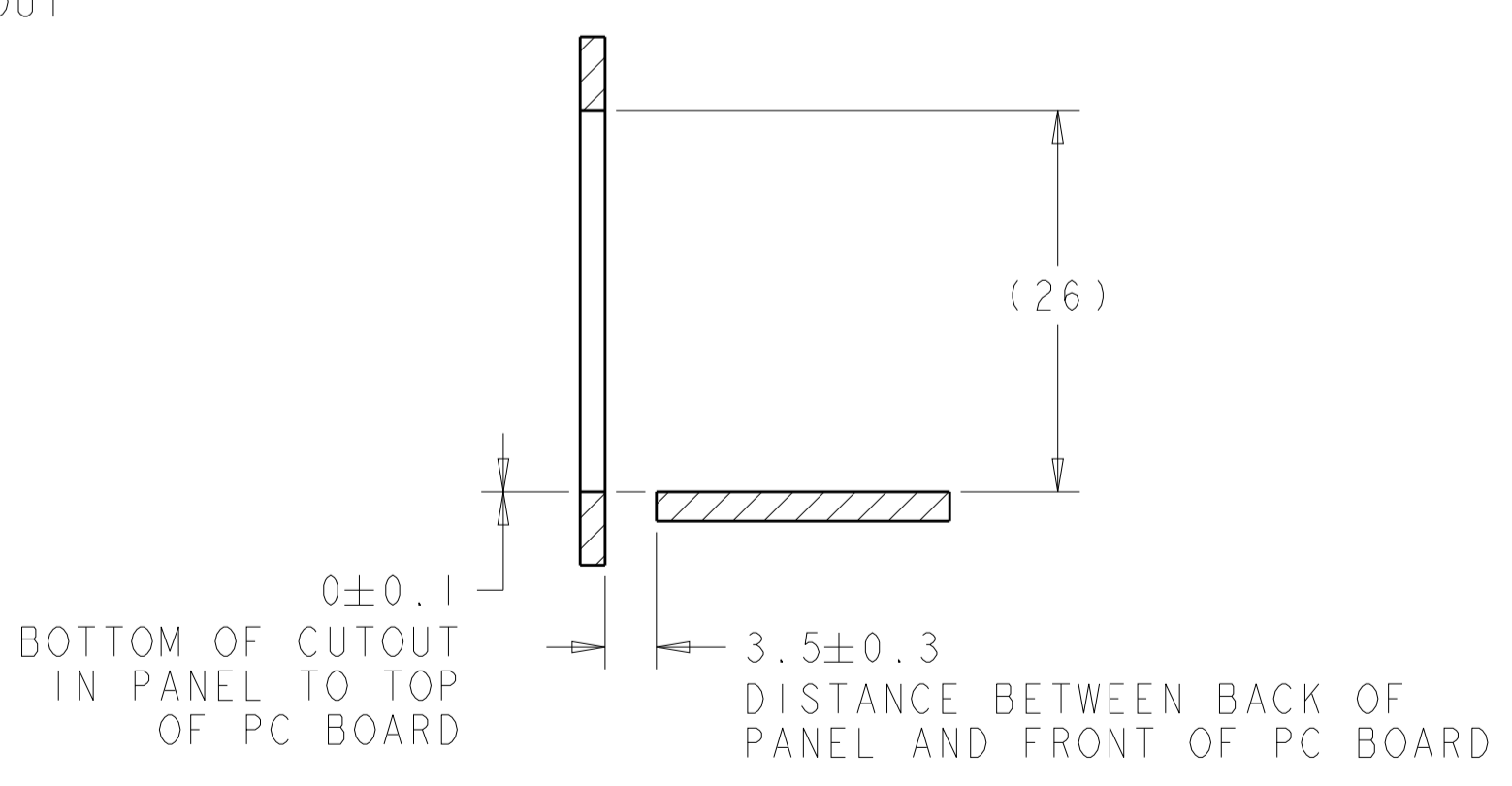
REVISIONS				
P.	LTN	DESCRIPTION	DATE	APVD
-	-	SEE SHEET 1	-	-



DETAIL G
 CONNECTOR HOUSING
 KEEPOUT ZONE
 SCALE 10:1



RECOMMENDED PANEL CUTOUT
 AND PC BOARD, PANEL POSITION
 SCALE 2:1



SECTION U-U

THIS DRAWING IS A CONTROLLED DOCUMENT.		DWN B. MATTHEWS 07AUG2013 CHK P. RECCE 07AUG2013 APVD P. RECCE 07AUG2013	STE TE Connectivity	
DIMENSIONS: mm TOLERANCES UNLESS OTHERWISE SPECIFIED: 0 PLC ±0.10 1 PLC ±0.10 2 PLC ±0.10 3 PLC ±0.10 4 PLC ±0.10 ANGLES ±°		PRODUCT SPEC 108-2331 APPLICATION SPEC 114-13219 WEIGHT - Customer Drawing	NAME CAGE AND PT CONNECTOR ASSEMBLY, PRESS FIT, 2X1, STACKED SFP+ SIZE CAGE CODE DRAWING NO. A100779C=2149102 RESTRICTED TO -	
MATERIAL TBD		SCALE 5:1		SHEET 3 OF 3