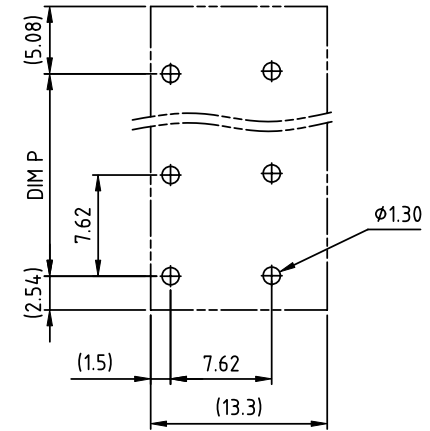
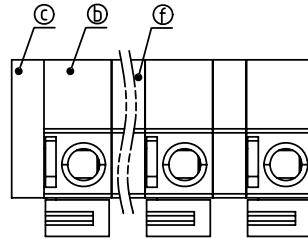
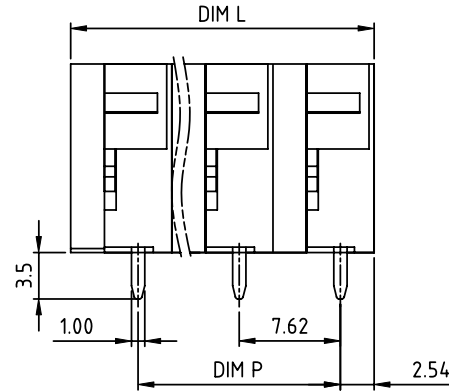
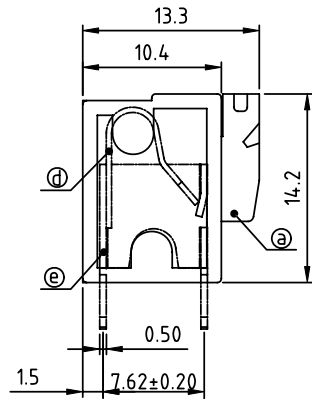


PRODUCT NUMBER	PITCH
HAxx20x000J0G	7.62 mm



RECOMMENDED P.C.B LAYOUT
TOP VIEW



Material:

- Item (a) Lever: Thermoplastic (UL94V-0) Orange RAL2011/P
- Item (b) Terminal body: Thermoplastic (UL94V-0)
- Item (c) cover: Thermoplastic (UL94V-0)
- Item (d) Spring clamp: Stainless steel
- Item (e) Pin: Brass, Tin plated
- Item (f) Pad board: Thermoplastic (UL94V-0)

Electrical cULus/VDE

- Voltage rating: 300VAC/450VAC
- Current rating: 10A/10A
- Wire range: 0.75-1.5mm²
- Solid wire(AWG): 14-24
- Stranded wire(AWG): 14-24
- Pull force:
- Screw:
- Wire strip length: 9-10mm
- Withstanding Voltage: 1.6KV/2.5KV
- Operating temperature: -40°C to +115°C
- Soldering temperature: 260°C±5°C/5 Sec
- Safety Approval:

N=Number of poles
Dim L=Nx7.62
Dim P=(N-1)x7.62

Poles	Dim L	Dim P
2-6p	±0.20	±0.20
7-12p	±0.30	±0.25
13-16p	±0.40	±0.30

PART NO.: HA xx 20 x 0 00J0 G

	End stackable	No. of poles	Color	RoHS compliant
0	0	2	Black (RAL9005)	(lead<4%) In copper Alloy
02	2	2	Red (RAL3001/D)	
03	3	3	Orange(RAL2011/P)	
...	...	4	Yellow(RAL1018/A)	
...	...	5	Green(RAL6018/T)	
16	16	6	Blue (RAL5015/A)	
		8	Grey(RAL7004/P)	
		9	White(RAL1102)	
		C	Multiple colors	

mat'l. code		surface ASME Y14.5	tolerance ASME Y14.5	projection	product family TERMINAL BLOCK	
ltr	ecn no	dr	date		title	
				MM	TERMINAL BLOCK	
				scale	SPRING CLAMP, 90D WIRE INLET	
				dr	EVIN ZHONG	052314
				enr	EVIN ZHONG	052314
				chr	HANKE FENG	052314
				appd	SHI JUN	052314
sheet index		revision	A	dwg no		sheet 1 of 1
		sheet	1	HAXX20x000J0G		size A4
				type		CUSTOMER Drawing