

THIS DRAWING IS UNPUBLISHED.

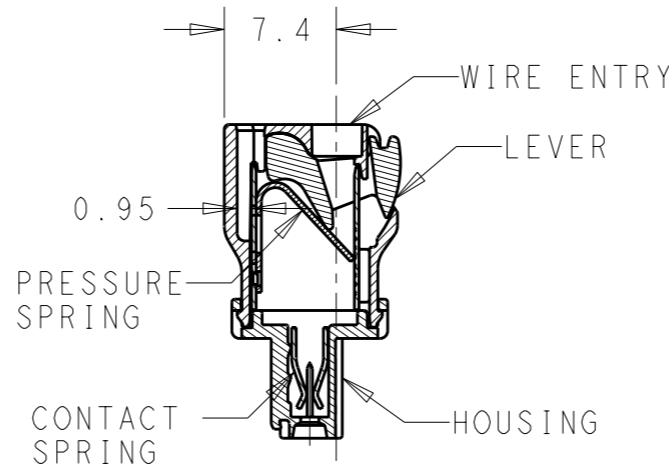
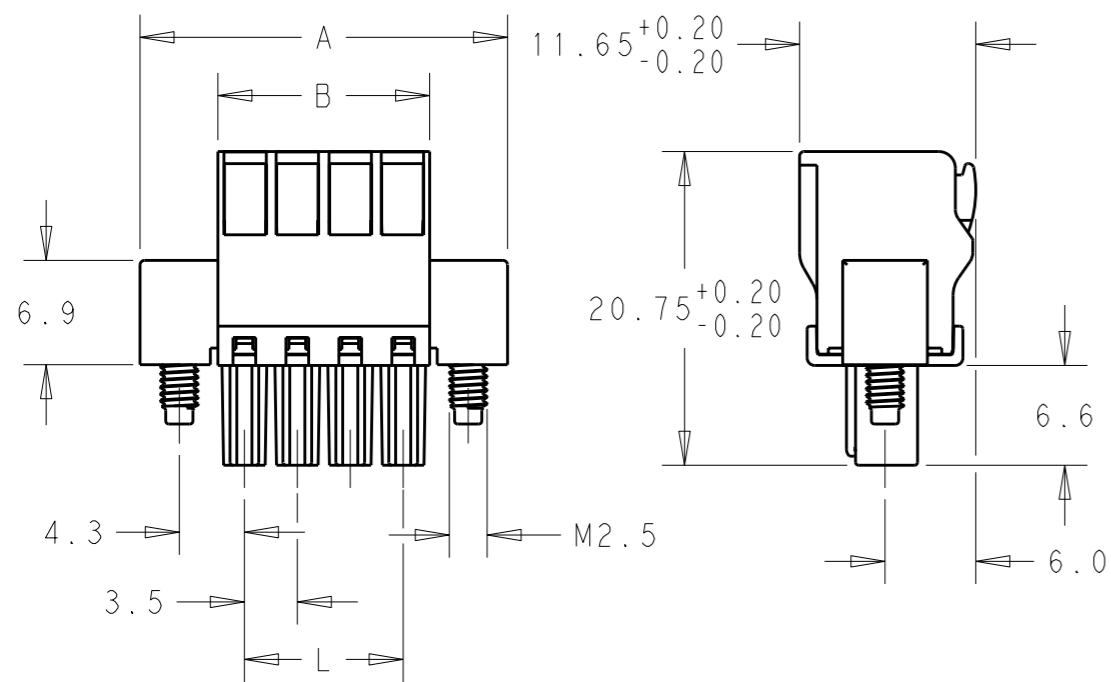
RELEASED FOR PUBLICATION

2011

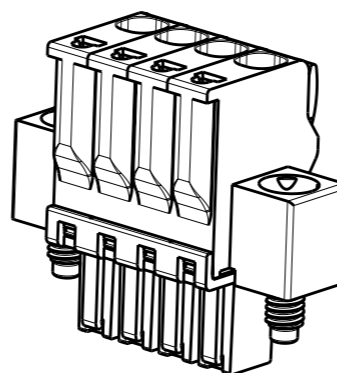
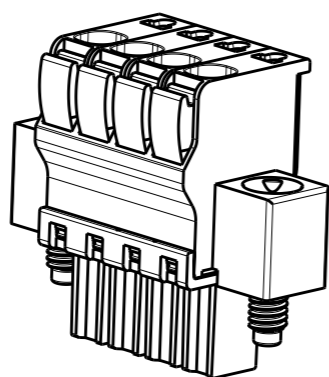
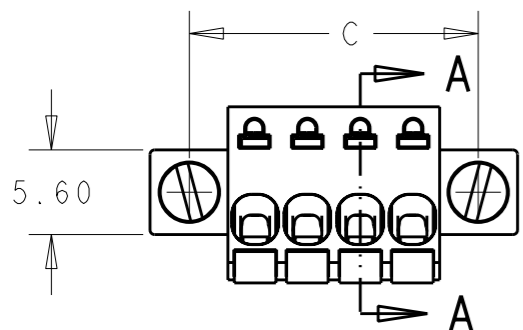
© COPYRIGHT 2011

ALL RIGHTS RESERVED.

LOC	DIST	REVISIONS				
P	LTR	DESCRIPTION	DATE	DWN	APVD	
AI	-	A	REVISD PER ECO-12-002880	15FEB12	KH	MS



SECTION A - A



77.00	85.60	90.80	80.50	23	2-1986725-3
73.50	82.10	87.30	77.00	22	2-1986725-2
70.00	78.60	83.80	73.50	21	2-1986725-1
66.50	75.10	80.30	70.00	20	2-1986725-0
63.00	71.60	76.80	66.50	19	1-1986725-9
59.50	68.10	73.30	63.00	18	1-1986725-8
56.00	64.60	69.80	59.50	17	1-1986725-7
52.50	61.10	66.30	56.00	16	1-1986725-6
49.00	57.60	62.80	52.50	15	1-1986725-5
45.50	54.10	59.30	49.00	14	1-1986725-4
42.00	50.60	55.80	45.50	13	1-1986725-3
38.50	47.10	52.30	42.00	12	1-1986725-2
35.00	43.60	48.80	38.50	11	1-1986725-1
31.50	40.10	45.30	35.00	10	1-1986725-0
28.00	36.60	41.80	31.50	9	1986725-9
24.50	33.10	38.30	28.00	8	1986725-8
21.00	29.60	34.80	24.50	7	1986725-7
17.50	26.10	31.30	21.00	6	1986725-6
14.00	22.60	27.80	17.50	5	1986725-5
10.50	19.10	24.30	14.00	4	1986725-4
7.00	15.60	20.80	10.50	3	1986725-3
3.50	12.10	17.30	7.00	2	1986725-2
DIM L +/-0.1	DIM C	DIM A	DIM B	POLE	PART NUMBER

**MATERIALS**  
 HOUSING-POLYAMIDE, COLOR-GREEN  
 LEVER-POLYAMIDE, COLOR ORANGE  
 CONTACT SPRING-COPPER ALLOY-LEAD FREE TIN PLATED  
 CLAMPING SPRING-STEEL

**MECHANICAL**  
 INSERTION FORCE PER POLE- 3 NEWTON MAX  
 WITHDRAWAL FORCE PER POLE- 1.5 NEWTON MIN  
 STRIPPING LENGTH- 10.5 TO 11.5 MM  
 OPERATING TEMPERATURE--40°C TO +110°C

**ELECTRICAL**  
 WIRE SIZE= 30 TO 14 AWG SOLID OR STRANDED  
 VOLTAGE RATING- 300 VOLTS  
 CURRENT RATING- 11 AMP STRANDED; 9AMP SOLID  
 CONTACT RESISTANCE-15 MILLOHM MAX  
 INSULATION RESISTANCE-10<sup>9</sup> OHMS MIN (500V DC)

THIS DRAWING IS A CONTROLLED DOCUMENT.		DWN 13JAN2012 KIRAN HOLAL	<b>STE</b> TE Connectivity	
DIMENSIONS: mm		CHK 13JAN2012 MIKE SARVER		
TOLERANCES UNLESS OTHERWISE SPECIFIED: 0 PLC ±- 1 PLC ±0.40 2 PLC ±0.20 3 PLC ±- 4 PLC ±- ANGLES ±1°		APVD 13JAN2012 MIKE SARVER	NAME STRAIGHT SPRING TYPE PLUG CONNECTOR, LEFT SIDE, LOCKING W/FLANGES 02 - 23 POLES, PITCH 3.50mm	
MATERIAL -		FINISH -	PRODUCT SPEC -	APPLICATION SPEC -
WEIGHT -		SIZE A3	CAGE CODE 00779	DRAWING NO C-1986725
CUSTOMER DRAWING		SCALE 2:1	SHEET 1 OF 1	REV A