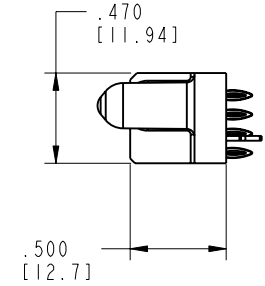
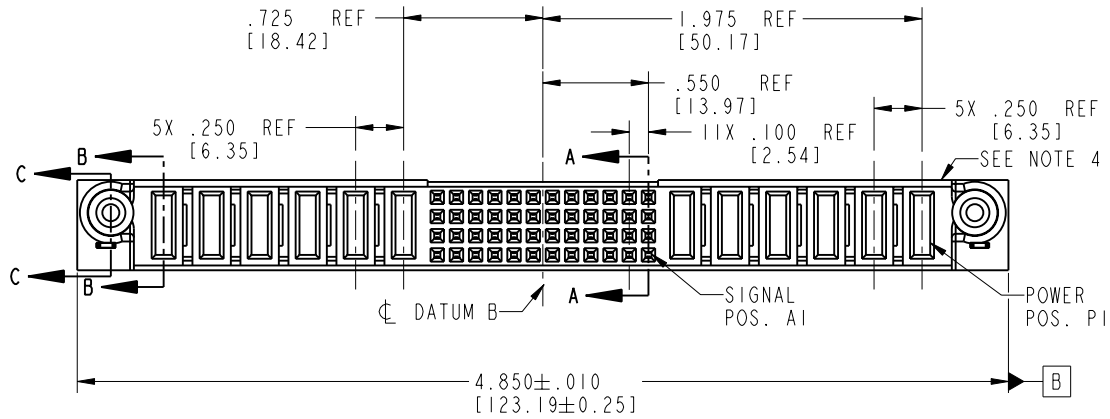


Tous droits strictement réservés. Reproduction ou communication o des liens interdite sous quelque forme que ce soit sans autorisation écrite du propriétaire. Propriété de c FCI. Droits de reproduction FCI.

All rights strictly reserved. Reproduction or issue to third parties in any form whenever is not permitted without written authority from the proprietor. Property of FCI. Copyright FCI.



PRODUCT NO.	ROWS	POWER						SIGNAL						POWER													
		E2	P12	P11	P10	P9	P8	P7	12	11	10	9	8	7	6	5	4	3	2	1	P6	P5	P4	P3	P2	P1	E1
51750-049-- NOTE: 3	D C B A		PF	PF	PF	PF	PF	PF	F	F	F	F	F	F	F	F	F	F	F	F	PC	PF	PF	PF	PF	PF	



CODE	DIM "M" MATING LENGTH	CONTACT TYPE
F	N/A [N/A]	SIGNAL
PC	.042 [1.07]	POWER
PF	.092 [2.34]	POWER
HA	N/A [N/A]	HOLD-DOWN

mat'l code		SEE NOTE 2		tolerances unless otherwise specified		CUSTOMER		FCI www.fciconnect.com	
ltr	ecn no.	dr	date	linear	.XX±.01/0.X±0.3	COPY		title 6P + 48S + 6P	
A	V03-0511	TAB	05/07/03		.XXX±.005/0.XXX±0.13	projection		VERTICAL PRESS-FIT RECEPT	
B	V03-0595	TAB	05/23/03		.XXX±.0020/0.XXX±0.051			product family PwrBlade code 213	
C	V03-0646	TAB	06/09/03	angles	0°±2°	INCH/MM		size dwg no	
D	DG05-0504	GuoJM	11/29/05	dr	T. BRUNGARD 05/07/03	scale 1:1		A 51750-049	
				engr	M. MOSTOLLER 05/07/03			sheet 1 of 4	
				chr	M. MOSTOLLER 05/07/03				
				appd	M. MOSTOLLER 05/07/03				
sheet index	revision sheet	D	D	D	D				
		1	2	3	4				

1 | 2 3 | 4

1 | 2 3 | 4

Pro/E

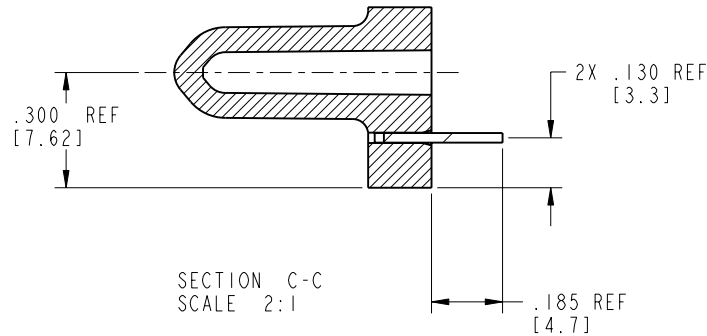
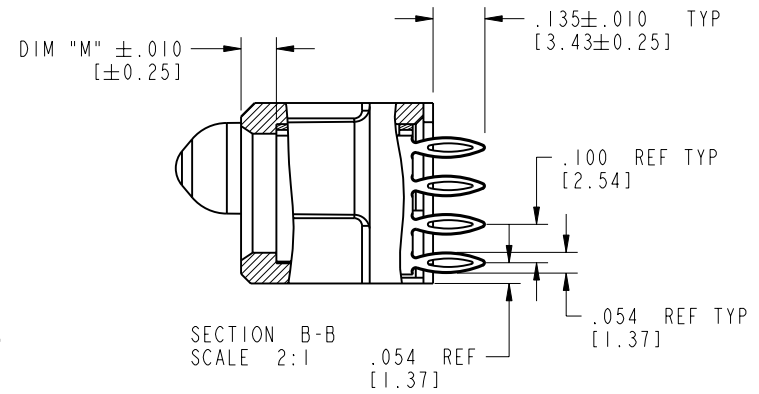
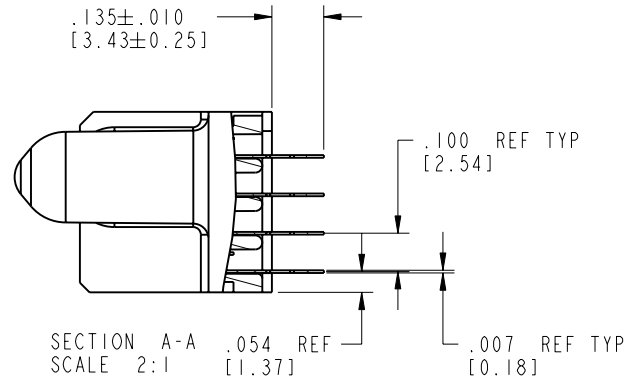
cage code 22526

Tous droits strictement réservés. Reproduction ou communication o des liers interdite sous quelque forme que ce soit sans autorisation écrite du propriétaire. Propriete de c FCI. Droits de reproduction FCI.

All rights strictly reserved. Reproduction or issue to third parties in any form, whatever is not permitted without written authority from the proprietor. Property of FCI. Copyright FCI.

PRODUCT NUMBER

51750-049__
NOTE: 3



mat'l code		SEE NOTE 2		tolerances unless otherwise specified		CUSTOMER		 www.fciconnect.com	
lfr	ecn no.	dr	date	linear	.XX±.01/0.X±0.3	COPY			
D				projection	.XXX±.005/0.XX±0.13			title	6P + 48S + 6P
				angles	.XXX±.0020/0.XXX±0.051			VERTICAL PRESS-FIT RECEPT	
				dr	T. BRUNGARD 05/07/03	INCH/MM		product family	PwrBlade
				enrg	M. MOSTOLLER 05/07/03	scale		code	213
				chr	M. MOSTOLLER 05/07/03	1:1		size	dwg no
				appd	M. MOSTOLLER 05/07/03			A	51750-049
sheet index	revision sheet							sheet	2 of 4

cage code 22526

Pro/E

PDM: Rev:D

STATUS: Released

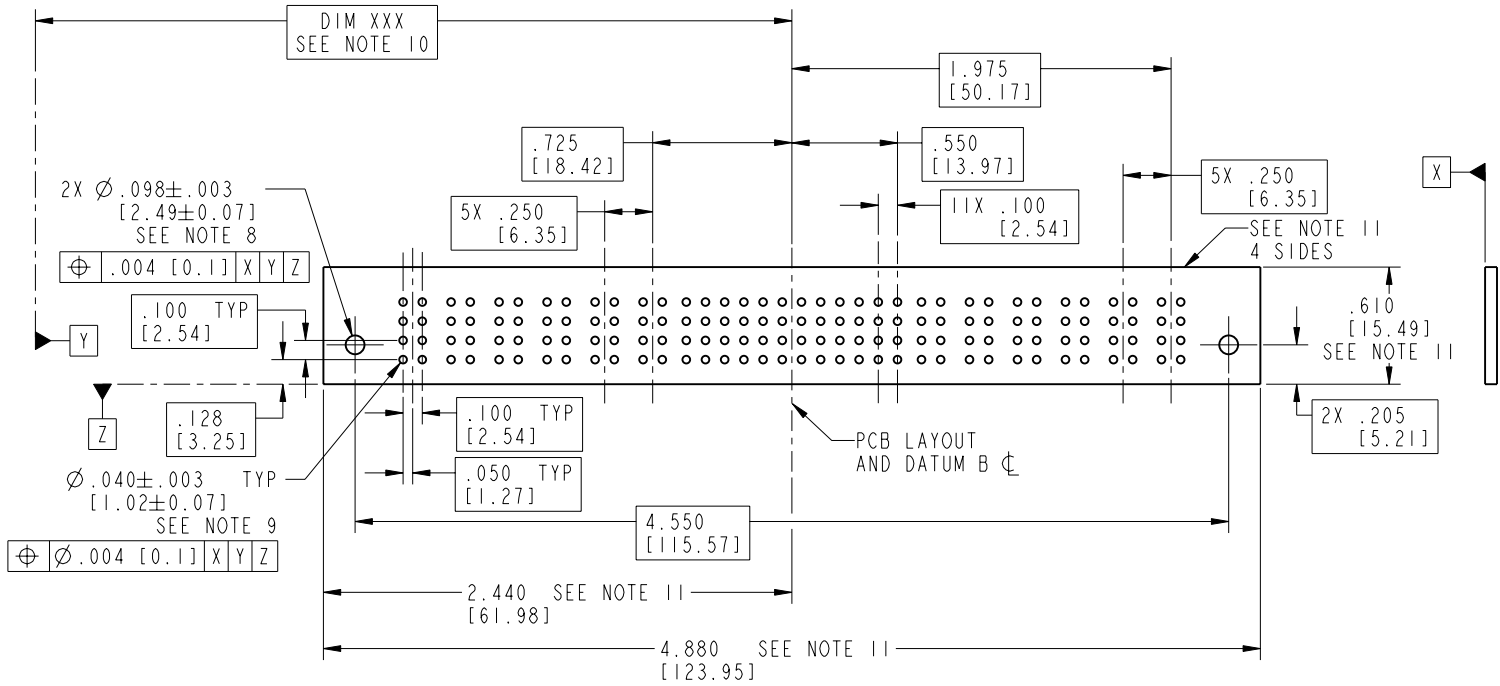
Printed: Dec 20, 2010

Tous droits strictement réservés. Reproduction ou communication o des liens interdite sous quelque forme que ce soit sans autorisation écrite du propriétaire. Propriété de c FCI. Droits de reproduction FCI.

All rights strictly reserved. Reproduction or issue to third parties in any form, whenever is not permitted without written authority from the proprietor. Property of FCI. Copyright FCI.

PRODUCT NUMBER

51750-049__
NOTE: 3



mat'l code		SEE NOTE 2		tolerances unless otherwise specified		CUSTOMER		 www.fciconnect.com	
lfr	ecn no.	dr	date	linear	.XX±.01/0.X±0.3	COPY			
D				angles	.XXX±.005/0.XX±0.13	projection		 title 6P + 48S + 6P VERTICAL PRESS-FIT RECEPT	
				dr	.XXX±.0020/0.XXX±0.051	INCH/MM			
				engr	T. BRUNGARD 05/07/03	scale		product family PwrBlade	code 213
				chr	M. MOSTOLLER 05/07/03	1:1		size A	sheet 3 of 4
				appd	M. MOSTOLLER 05/07/03			dwg no 51750-049	
sheet index	revision sheet								

coge code 22526

Pro/E

Tous droits strictement réservés. Reproduction ou communication o des liens interdite sous quelque forme que ce soit sans autorisation écrite du propriétaire. Propriété de c FCI. Droits de reproduction FCI.

A
FCI

All rights strictly reserved. Reproduction or issue to third parties in any form, whenever is not permitted without written authority from the proprietor. Property of FCI. Copyright FCI.

A

B

PRODUCT NUMBER

51750-049__
NOTE: 3

NOTES:

1. DIMENSIONS AND TOLERANCES ARE IN ACCORDANCE WITH ASME Y14.5M, 1994 UNLESS OTHERWISE SPECIFIED.

CONNECTOR NOTES:

② HOUSING MATERIAL: UL 94 V-0 GLASS FILLED

HIGH-TEMP THERMOPLASTIC
POWER CONTACT MATERIAL: COPPER ALLOY
SIGNAL PIN MATERIAL: COPPER ALLOY

3. PLATING:

51750-049 Singal Pin:30u"/0.76um Au OVER 50u"/1.27um Ni ON THE CONTACT AREA.
AND 100u"/2.54um SnPb PLATING OVER 50u"/1.27um Ni ON THE TERMINATION SECTION.
Power Pin:30u"/0.76um Au OVER 50u"/1.27um Ni ON THE CONTACT AREA,
AND 100u"/2.54um SnPb PLATING OVER 50u"/1.27um Ni ON THE TERMINATION SECTION.

51750-049LF Singal Pin:30u"/0.76um Au OVER 50u"/1.27um Ni ON THE CONTACT AREA.
AND 78u"/2.00um Sn PLATING OVER 50u"/1.27um Ni ON THE TERMINATION SECTION.
Power Pin:30u"/0.76um Au OVER 50u"/1.27um Ni ON THE CONTACT AREA,
AND 78u"/2.00um Sn PLATING OVER 50u"/1.27um Ni ON THE TERMINATION SECTION.

PART NUMBER 51750-049LF MEETS EUROPEAN UNION DIRECTIVE AND OTHER COUNTRY REGULATIONS AS DESCRIBED IN GS-22-008.

THE HOUSING WILL WITHSTAND EXPOSURE TO 260° PEAK TEMPERATURE FOR 10 SECONDS IN A WAVE SOLDER APPLICATION WITH A CIRCUIT BOARD.

④ MANUFACTURER'S NAME, P/N, AND DATE CODE TO APPEAR ON THIS SURFACE.

5. PRODUCT SPECIFICATION GS-12-149.
APPLICATION SPECIFICATION BUS-20-067.

6. PACKAGED IN TRAYS.

PCB NOTES:


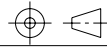
7. ALL HOLE DIAMETERS ARE FINISHED HOLE SIZE.

⑧ MOUNTING HOLES, WHERE APPLICABLE, ARE UNPLATED.

⑨ $\varnothing .0453 \pm .0010$ [1.151 ± 0.025] DRILLED HOLES PLATED WITH .0003 [0.008] MIN SnPb OVER .001 [0.03] TO .003 [0.08] Cu PLATING TO ACHIEVE $\varnothing .040 \pm .003$ [1.02 ± .07] HOLE.

⑩ "DIM XXX" TO BE DETERMINED BY THE CUSTOMER.

⑪ CONNECTOR KEEP-OUT ZONE.

mat'l code		SEE NOTE 2		tolerances unless otherwise specified		CUSTOMER		 FCI www.fciconnect.com	
lfr	ecn no.	dr	date	linear	.XX±.01/0.X±0.3	COPY			
D				linear	.XXX±.005/0.XX±0.13	projection		title 6P + 48S + 6P	
				angles	.XXX±.0020/0.XXX±0.051			VERTICAL PRESS-FIT RECEPT	
				dr	T. BRUNGARD 05/07/03	INCH/MM		product family PwrBlade code 213	
				enrg	M. MOSTOLLER 05/07/03	scale		size dwg no	
				chr	M. MOSTOLLER 05/07/03	1:1		A 51750-049	
				appd	M. MOSTOLLER 05/07/03			sheet 4 of 4	
sheet index	revision sheet								

A

B

1 | 2

3 |

4

1 | 2

Pro/E

3 |

coge code 22526

4