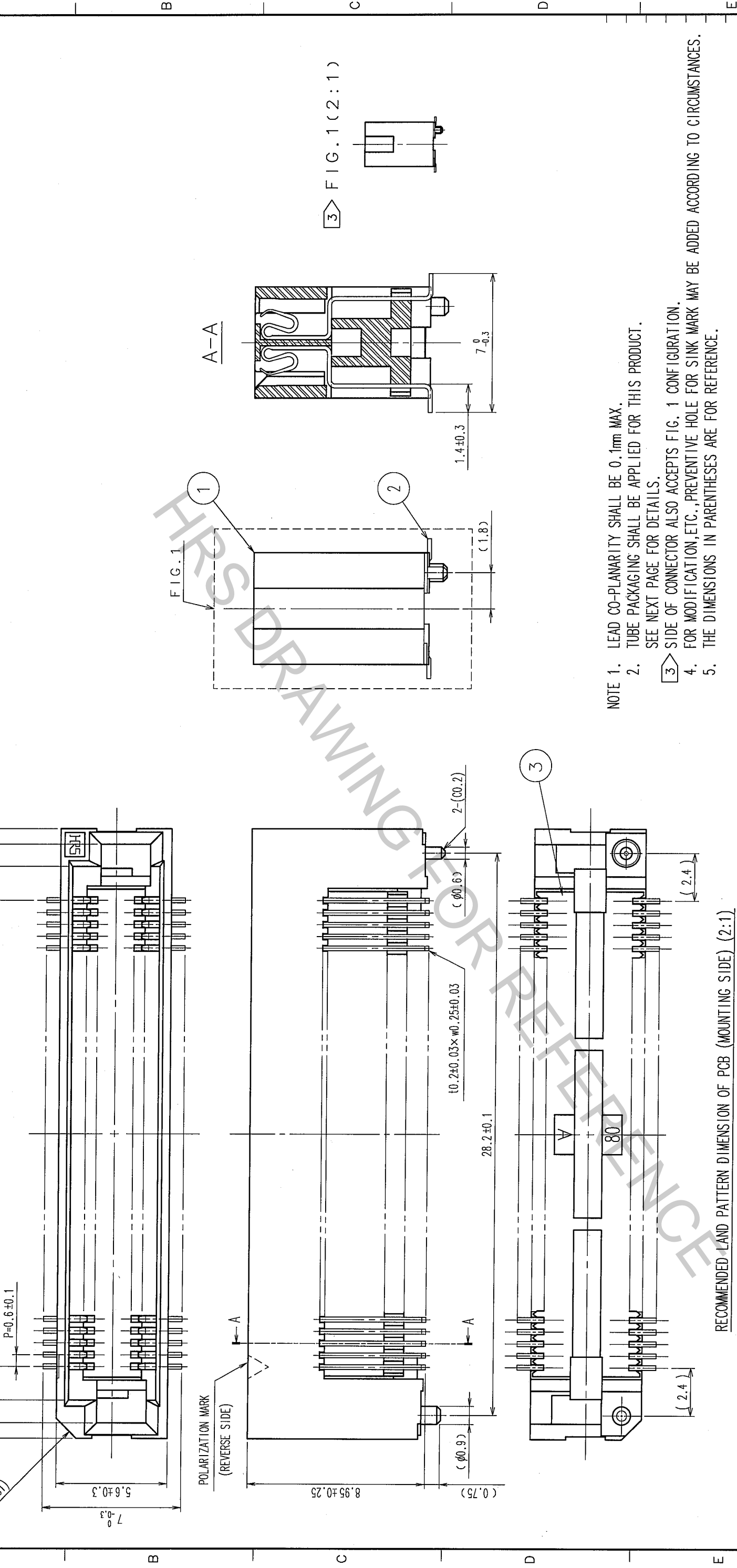


COUNT	DESCRIPTION OF REVISIONS	BY	CHKD	DATE	COUNT	DESCRIPTION OF REVISIONS	BY	CHKD	DATE
△					△				
△					△				
△					△				

COUNT	DESCRIPTION OF REVISIONS	BY	CHKD	DATE	COUNT	DESCRIPTION OF REVISIONS	BY	CHKD	DATE
△					△				
△					△				
△					△				

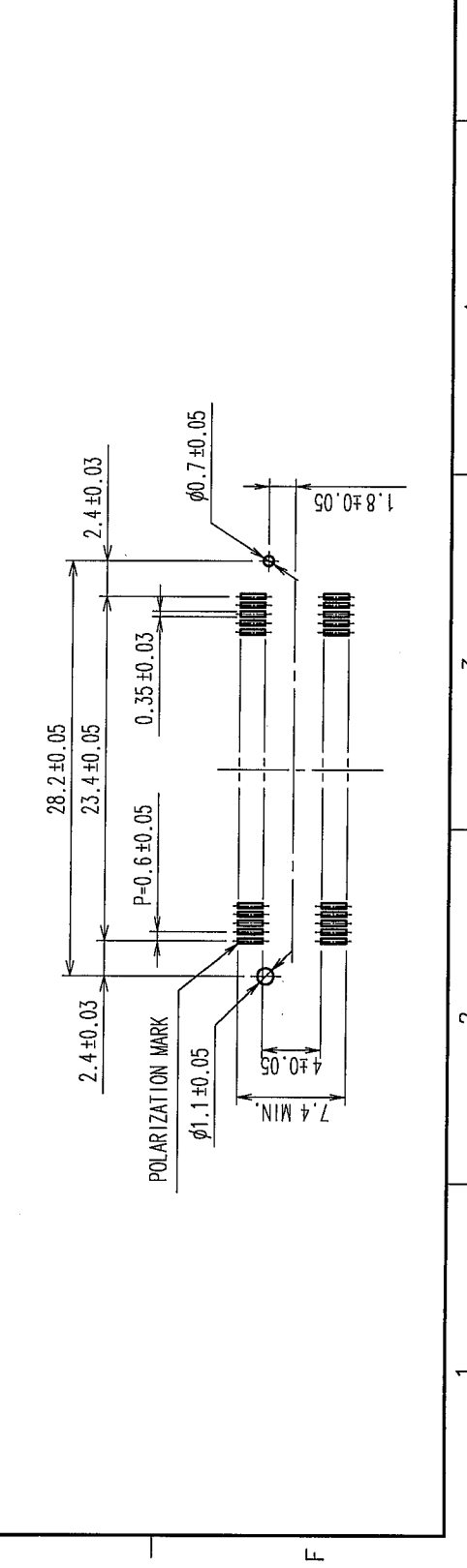
A B C D E F



1.3	PPS	LIGHT BROWN (UL94V-0)	2	PHOSPHOR BRONZE	CONTACT AREA: GOLD 0.1 μm min. LEAD AREA: TIN-PLATING 1 μm min. UNDER PLATING: NICKEL 1 μm min.
NO.	MATERIAL	FINISH, REMARKS	NO.	MATERIAL	FINISH, REMARKS
CODE NO. (OLD) CL			DRAWN A. SUZUKAWA 05.12.13	DESIGNED K. Nakamura 05.12.15	CHECKED K. Ogawa 05.12.15
					APPROVED H. Okawa 05.12.16
					RELEASED
DRAWING NO. EDC3-150892-21		PART NO. FX8C-80S-SV5(91)			
SCALE 5:1					
UNITS ITM					
HIROSE ELECTRIC CO., LTD		CODE NO. CL578-0823-5-91		1/2	

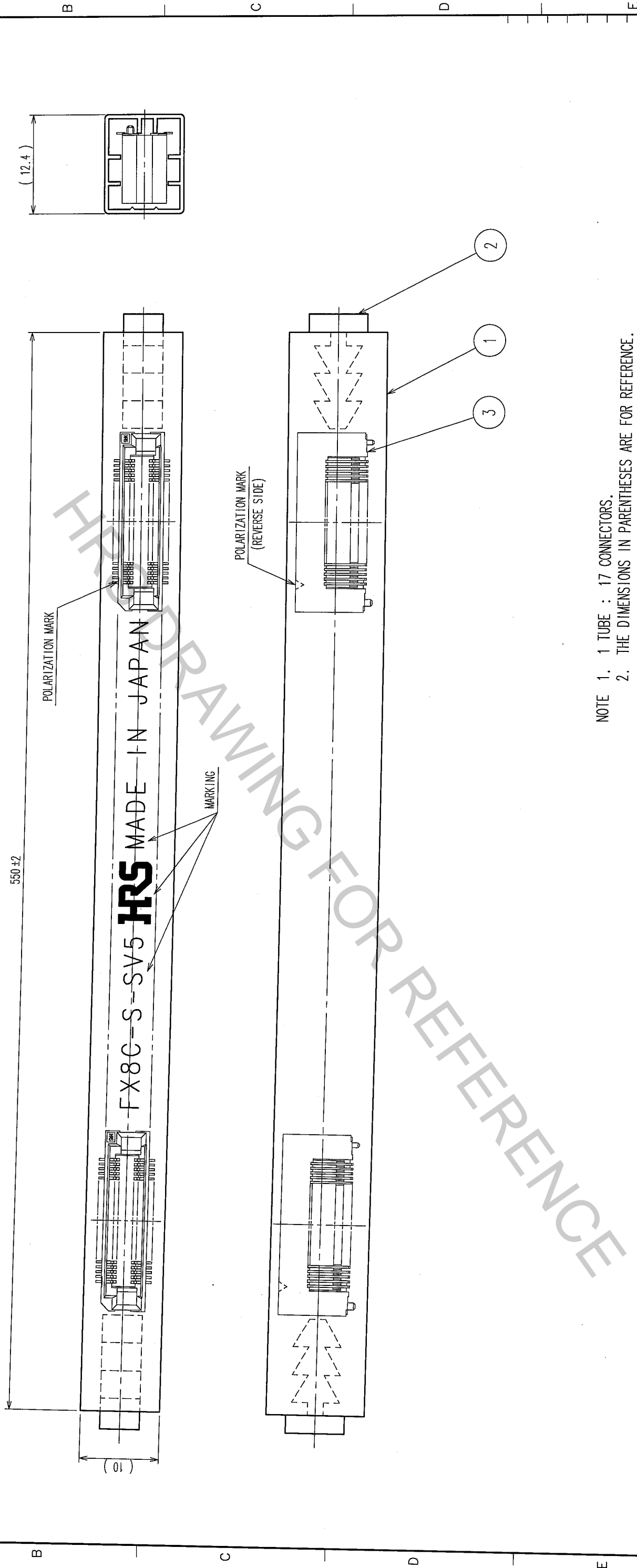
- NOTE 1. LEAD CO-PLANARITY SHALL BE 0.1mm MAX.  
 2. TUBE PACKAGING SHALL BE APPLIED FOR THIS PRODUCT.  
 SEE NEXT PAGE FOR DETAILS.  
 3. SIDE OF CONNECTOR ALSO ACCEPTS FIG. 1 CONFIGURATION.  
 4. FOR MODIFICATION, ETC., PREVENTIVE HOLE FOR SINK MARK MAY BE ADDED ACCORDING TO CIRCUMSTANCES.  
 5. THE DIMENSIONS IN PARENTHESES ARE FOR REFERENCE.

RECOMMENDED LAND PATTERN DIMENSION OF PCB (MOUNTING SIDE) (2:1)



TO	
PCK	

COUNT	DESCRIPTION OF REVISIONS	BY	CHKD	DATE	COUNT	DESCRIPTION OF REVISIONS	BY	CHKD	DATE
△					△				
△					△				
△					△				



NOTE 1. 1 TUBE : 17 CONNECTORS.  
 2. THE DIMENSIONS IN PARENTHESES ARE FOR REFERENCE.

2		3	
NO.	MATERIAL	NO.	MATERIAL
2	POLYVINYL CHLORIDE STOPPER	3	(CONNECTOR)
1	POLYVINYL CHLORIDE TUBE	1	POLYVINYL CHLORIDE TUBE

CODE NO. (OLD)	CL	DRAWN	DESIGNED	CHECKED	APPROVED	RELEASED
		A. SUZUKAWA	K. Oyamada	K. Oyamada	H. Okawa	
		05.12.13	05.12.15	05.12.15	05.12.16	

DRAWING NO.	PART NO.
EDC3-150892-21	FX8C-80S-SV5(91)

SCALE	UNITS	CODE NO.
FREE	ITM	CL578-0823-5-91

TO  
PCK