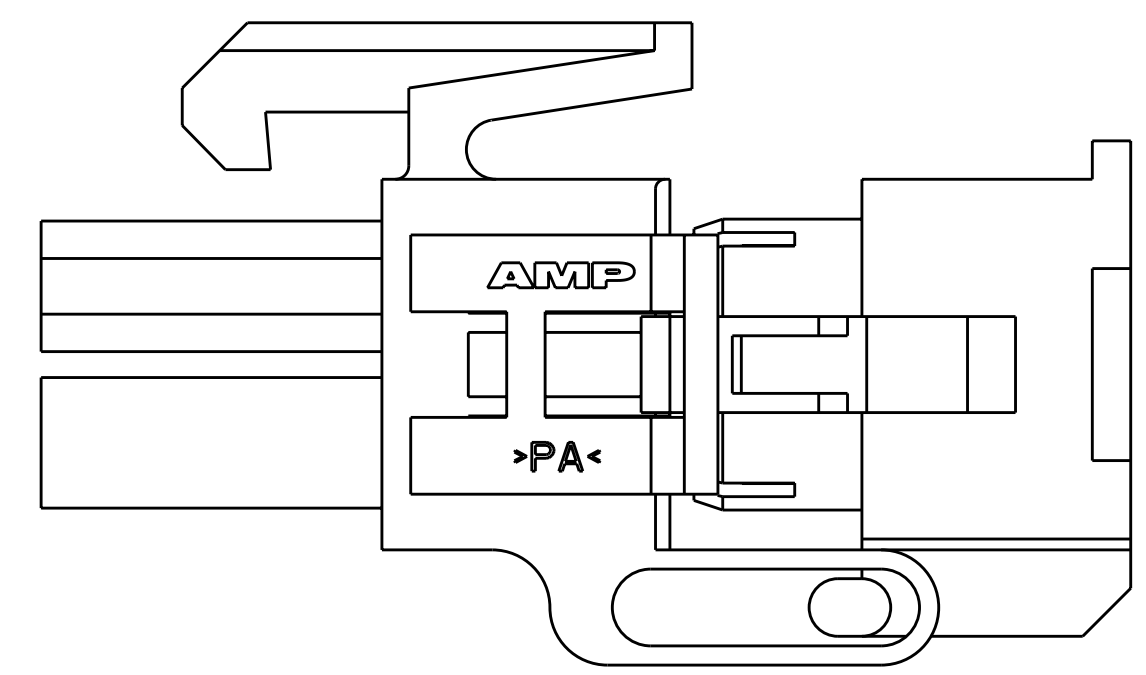
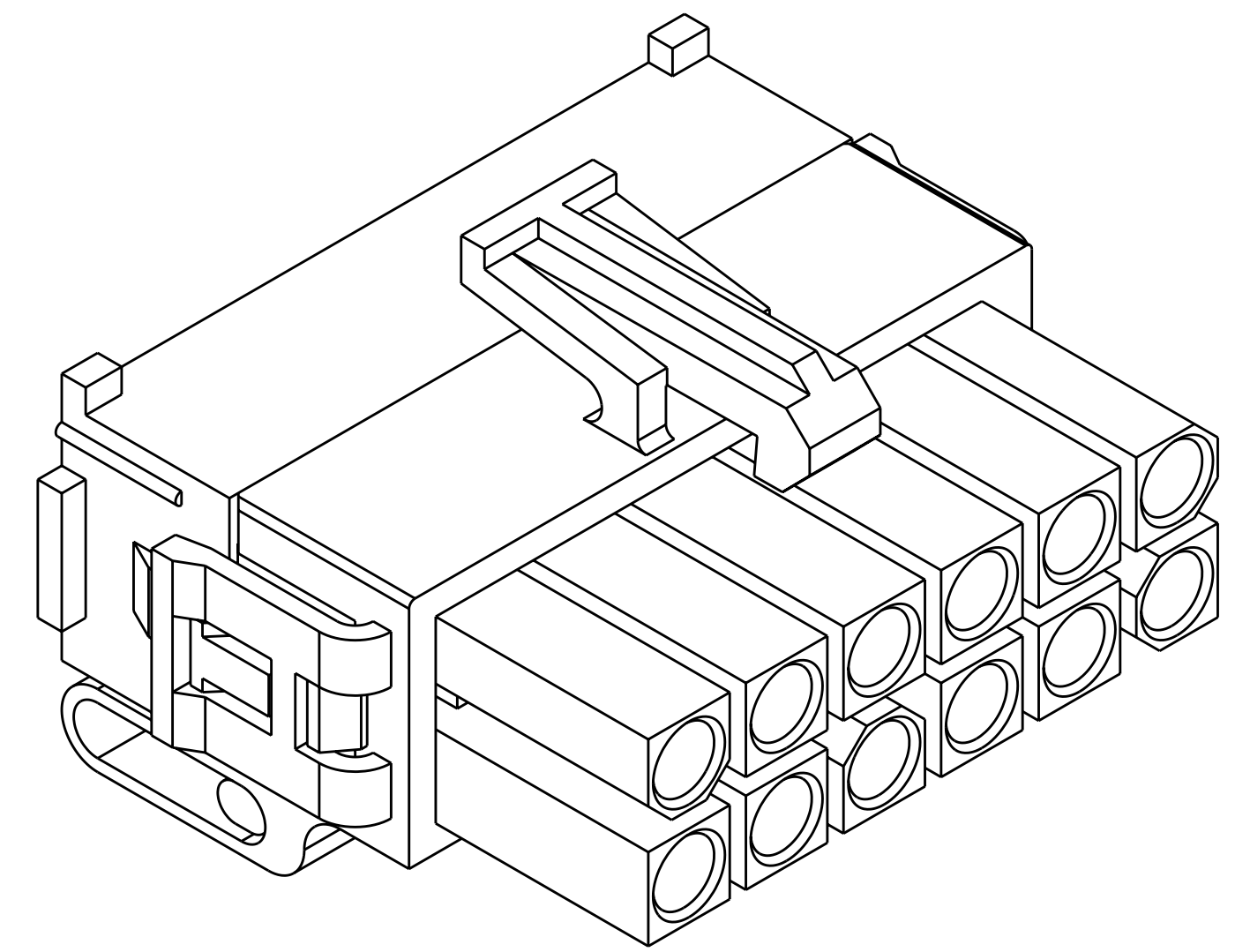
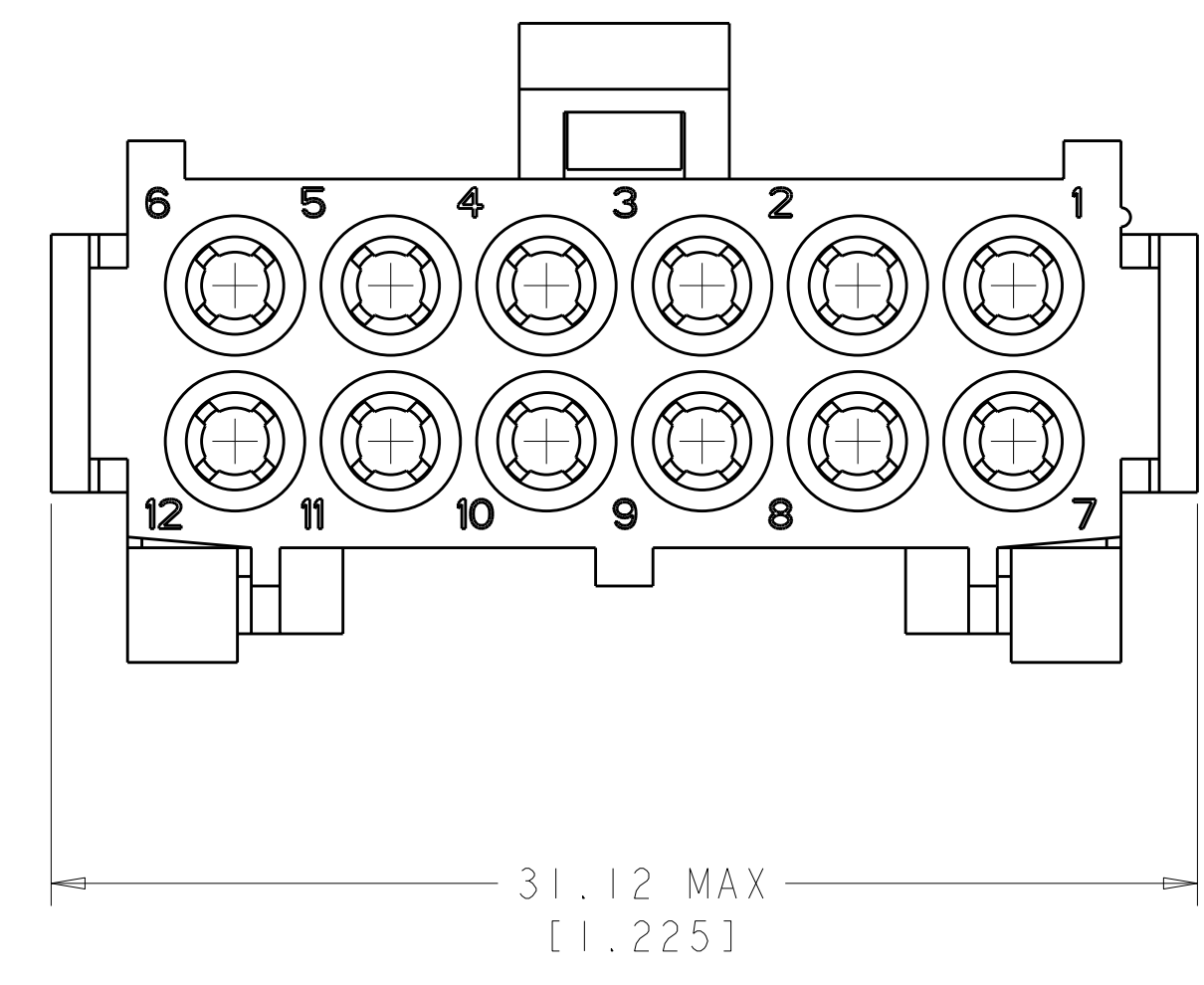
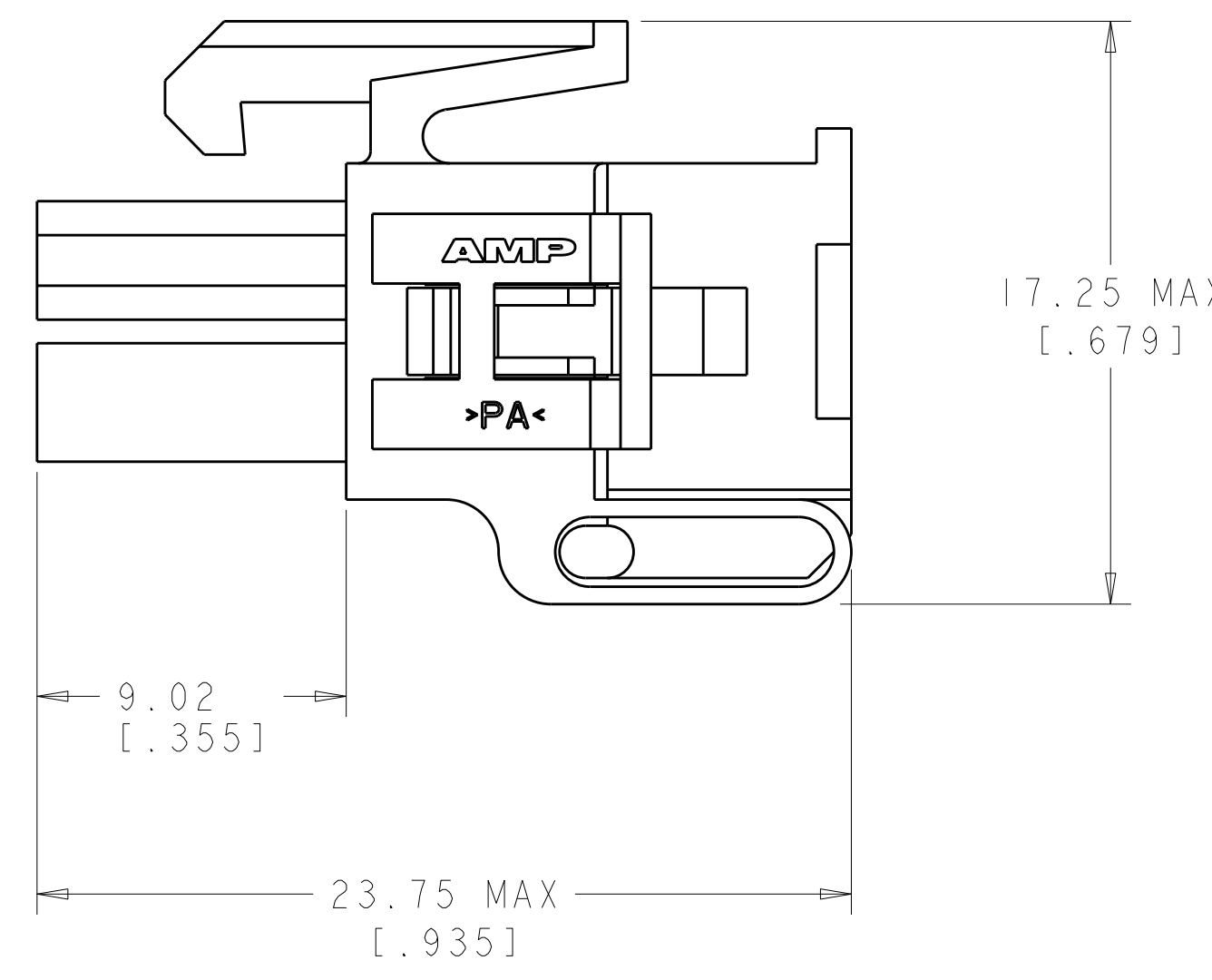
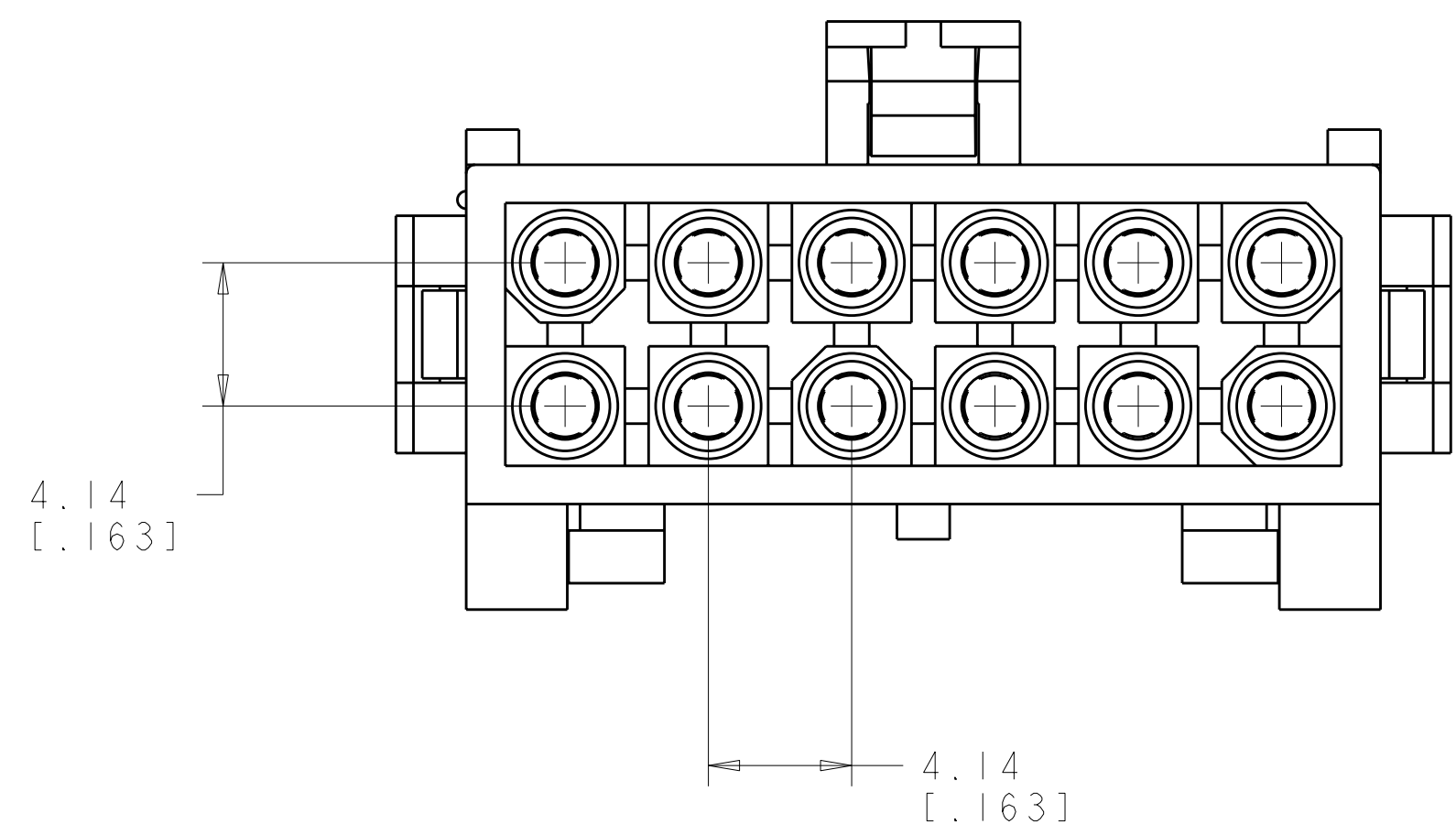


LOC	DIST	REVISIONS					
CM	00	P	LTR	DESCRIPTION	DATE	DWN	APVD
		C1		REVISED PER ECR 10-025344	23FEB11	JR	TM



PRE-STAGED CONDITION



0.21 IN ³	794198-1
VOLUME	PART NUMBER

<small>THIS DRAWING IS A CONTROLLED DOCUMENT. FOR YOUR PROTECTION, INFORMATION AND SECURITY, THIS DRAWING IS RELEASED TO THE PUBLIC ONLY THROUGH THE PROPER CHANNELS. CONTACT YOUR LOCAL SALES OFFICE FOR MORE INFORMATION.</small>		DWN: R. WHITAKER 01AUG2007 CHK: C. JONES 01AUG2007 APVD: C. JONES 01AUG2007	Tyco Electronics Harrisburg, PA 17105-3608
DIMENSIONS: mm [INCHES]	TOLERANCES UNLESS OTHERWISE SPECIFIED: 0 PLC ± 1 PLC ± 2 PLC ±0.13 (1.005) 3 PLC ± 4 PLC ± ANGLES ±40° 30'	NAME: PLUG, DUAL ROW, 12 CIRCUIT, MINI UNIVERSAL MATE-N-LOK(TM) 2 PRODUCT SPEC: APPLICATION SPEC: SIZE: CAGE CODE: DRAWING NO: A100779C-794198 WEIGHT:	RESTRICTED TO:
MATERIAL: NYLON UL 94V-0, NATURAL	FINISH:	CUSTOMER DRAWING	SCALE: 5:1 SHEET 1 OF 1 REV: C1

