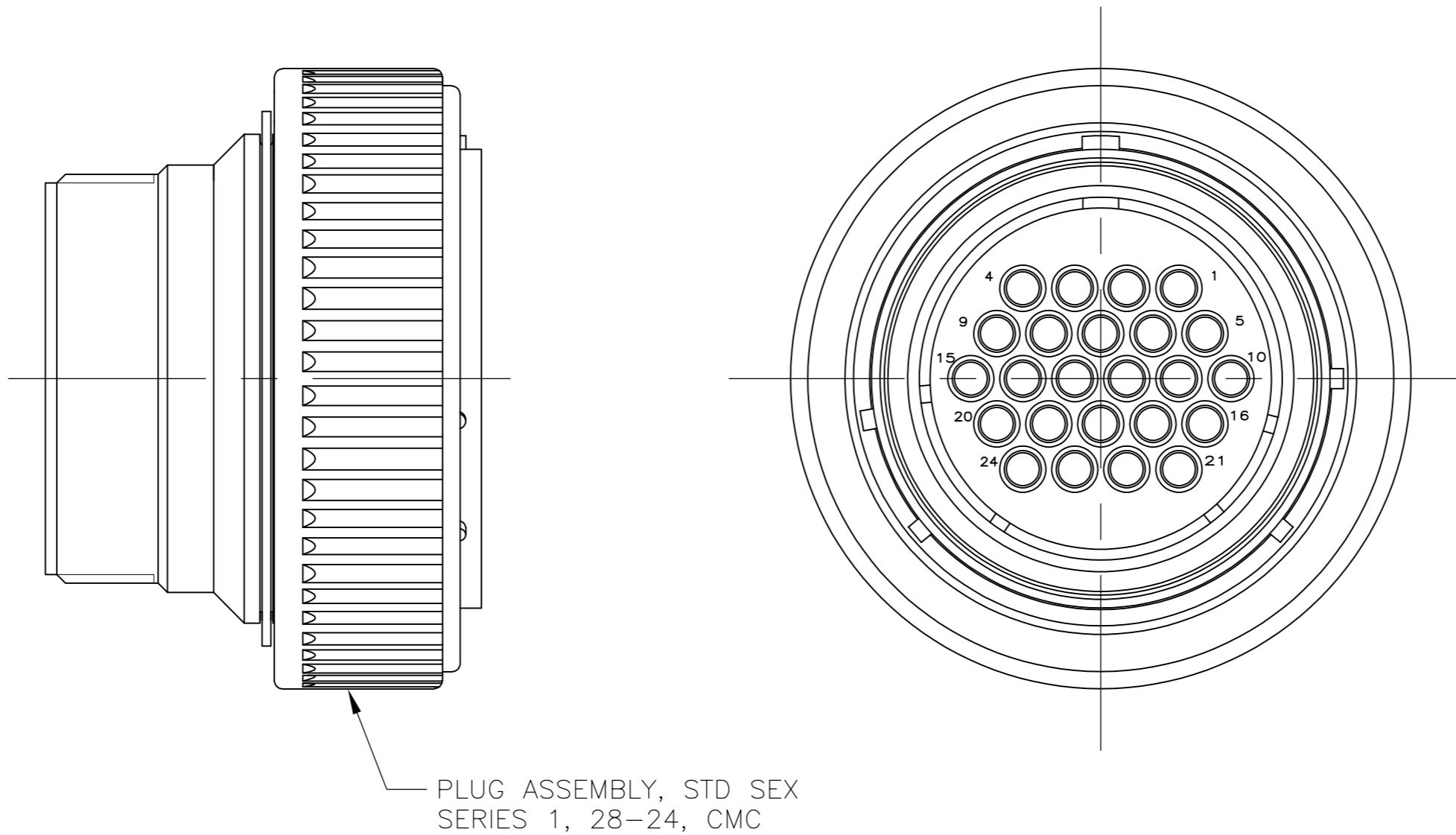


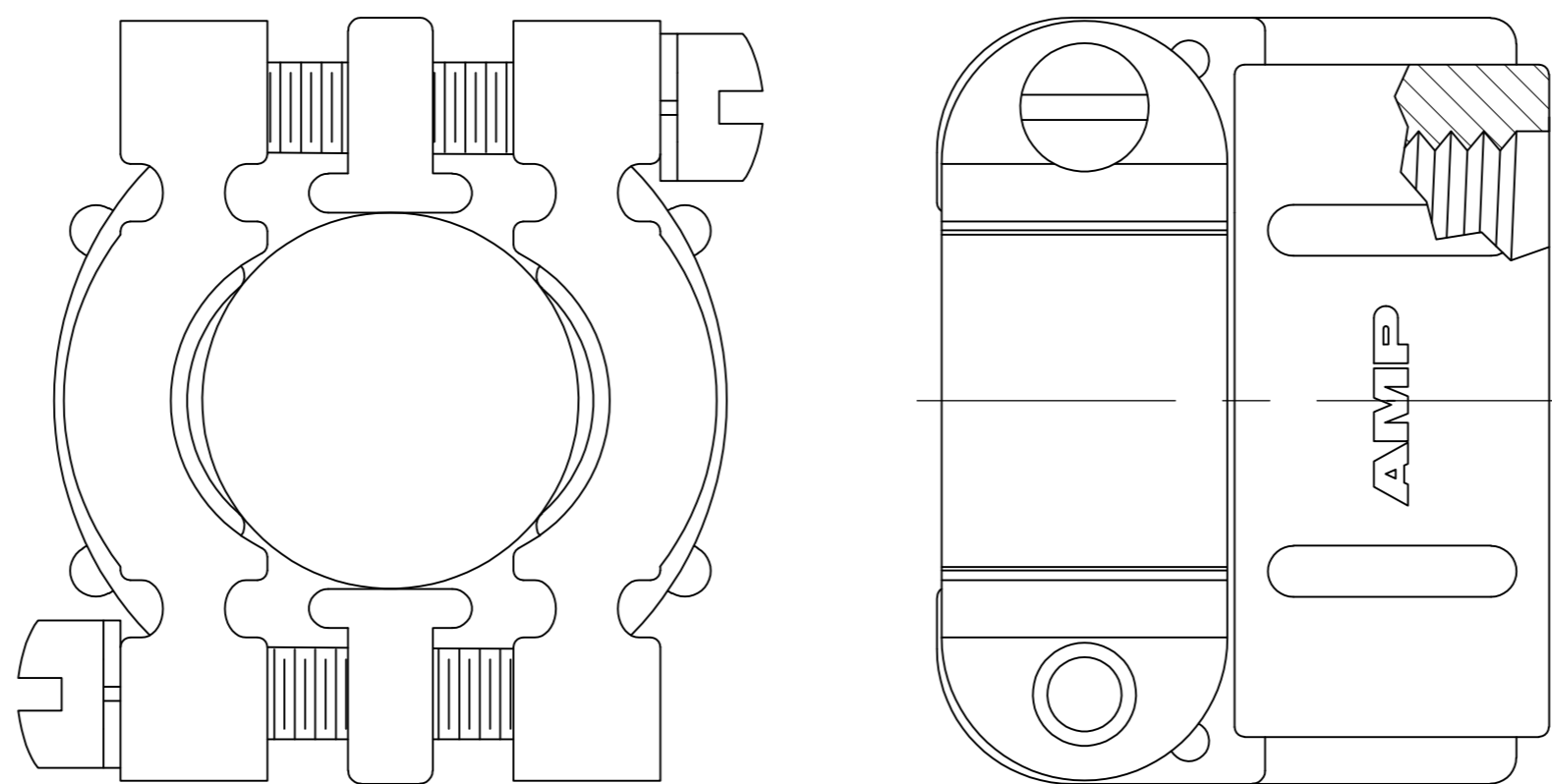
THIS DRAWING IS UNPUBLISHED. RELEASED FOR PUBLICATION
 © COPYRIGHT BY TYCO ELECTRONICS CORPORATION. ALL RIGHTS RESERVED.

LOC	DIST	REVISIONS			
P	LTR	DESCRIPTION	DATE	DWN	APVD
FT	0	A	-	7/18/07	SS SH

- KIT TO INCLUDE (1) CABLE CLAMP ASSEMBLY AND (1) PLUG ASSEMBLY EACH PACKAGED SEPARATELY IN (1) CONTAINER.



PLUG ASSEMBLY, STD SEX
 SERIES 1, 28-24, CMC



CABLE CLAMP KIT, SHOWN ASSEMBLED
 SIZE 28

1986221-1
 PART NUMBER

THIS DRAWING IS A CONTROLLED DOCUMENT.		DWN	S SCHLEGEL	7/18/07	Tyco Electronics Corporation Harrisburg, PA 17105-3608
DIMENSIONS: INCHES		CHK	S HEADER	7/18/07	
		APVD	S HEADER	7/18/07	
TOLERANCES UNLESS OTHERWISE SPECIFIED:		PRODUCT SPEC	NAME		
0 PLC ± -		APPLICATION SPEC	SIZE		A2
1 PLC ± -		WEIGHT	CAGE CODE		00779
2 PLC ± -		CUSTOMER DRAWING	DRAWING NO		C=1986221
3 PLC ± -		SCALE	SHEET		1 of 1
4 PLC ± -		SCALE	REV		A
ANGLES ± -					
FINISH					

1986221